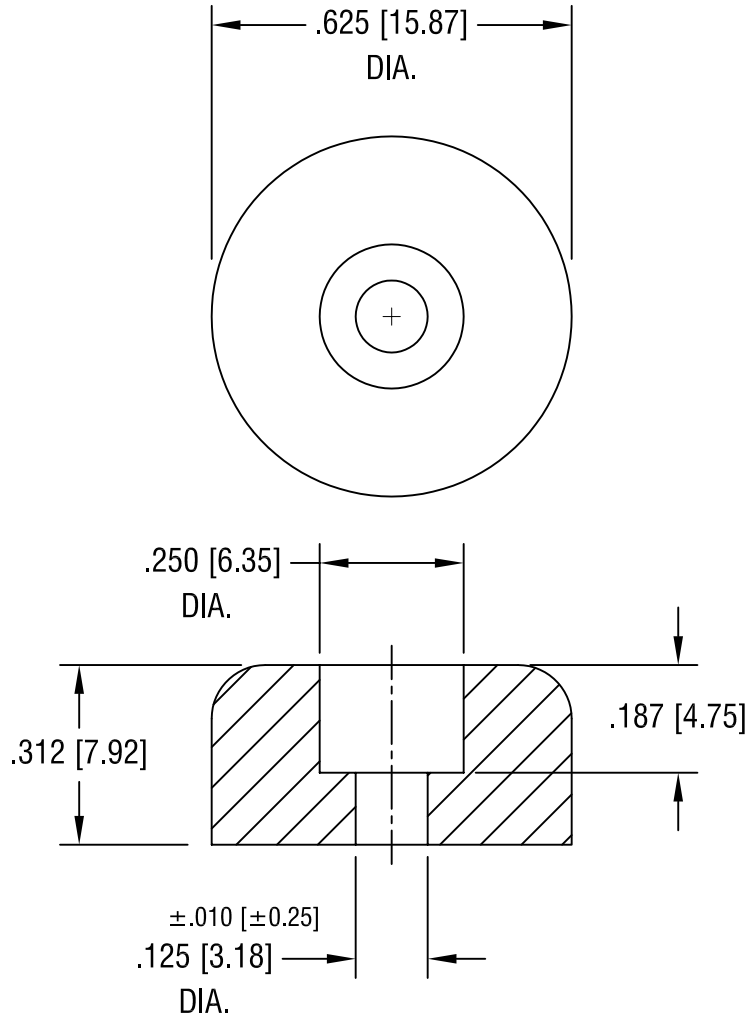


THIS DOCUMENT IS THE PROPERTY OF  
KEYSTONE ELECTRONICS CORP. AND  
SHALL NOT BE REPRODUCED, DISTRIBUTED  
OR USED AS A BASIS FOR MANUFACTURE  
WITHOUT PRIOR WRITTEN PERMISSION  
FROM KEYSTONE ELECTRONICS CORP.



**KEYSTONE ELECTRONICS CORP.**

ASTORIA, N.Y. 11105-2017

PART NAME

RECESSED BUMPER

MATERIAL

RUBBER, BUNA S

FINISH

-

DRN BY

BOONE

DATE

1.23.96

APP'D

LN

SCALE

3X

TOLERANCES

INCH

[MM]

CODE

DWG NO.

DECIMAL ±.020 [±0.50]

ANGULAR ± 1°  
UNLESS OTHERWISE SPECIFIED

C/M

721

DATE

DESCRIPTION

REV.