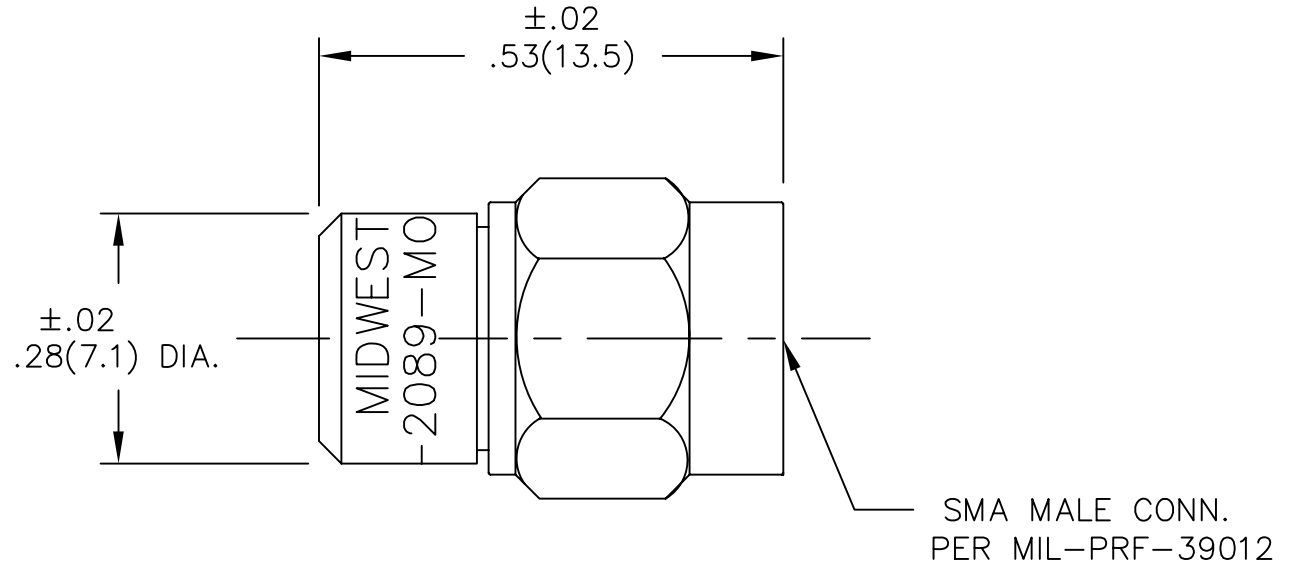


NOTES:

- 1.0 ELECTRICAL SPECIFICATIONS
 - 1.1 FREQUENCY RANGE: DC to 26.5 GHz
 - 1.2 VSWR (MAX):
 - DC to 4.0 GHz: 1.05:1
 - 8.0 to 12.0 GHz: 1.10:1
 - 12.0 to 18.0 GHz: 1.14:1
 - 18.0 to 26.5 GHz: 1.30:1
 - 1.3 MAXIMUM INPUT POWER:
 - 2 WATTS MAX AT +25°C DERATED
 - LINEARLY TO 1 WATT AT +125°C
 - 1.4 IMPEDANCE: 50 OHMS
 - 1.5 TEMPERATURE RANGE:
 - 65°C to +125°C
 - 1.6 WEIGHT: .12 Oz. (3.4 GRAMS) MAX.
- 2.0 MARKING: MARK UNIT AS SHOWN
(REF.: INK-02639-27-58)
- 3.0 DIMENSIONS IN PARENTHESIS ARE MILLIMETERS.



REV.	DESCRIPTION	DATE
-	RELEASED	4/20/95
-1	ADDED TITLEBLOCK	10/28/05

UNLESS OTHERWISE NOTED DIMENSIONS ARE IN INCHES AND TOLERANCES ARE: 3 PLACE DECIMALS ±.005 2 PLACE DECIMALS ±.02 FRACTIONS ±1/64 PARALLELITY: T.I.R. _____ FLATNESS: T.I.R. _____ CONCENTRICITY: T.I.R. _____ ANGLES AND PERPENDICULARITY: ±1°	FSCM NO. 34078	MIDWEST MICROWAVE		
	NOTICE: The information contained in this drawing is proprietary and must not be used without the permission of Midwest Microwave		TITLE TERMINATION	
	DRAWN/DATE A.BEATTY 4/19/95	ENG./DATE A.OSGA 4/20/95	DRAWING NUMBER TRM-2089-MO-SMA-02	
	CHECKED/DATE	APPROVED/DATE	SCALE: 5=1	SHEET 1 of 1