

PRODUCT NUMBER
76347-YXXLF

WHEN NEEDED, SUFFIX LETTER "LF"
INDICATES THE PRODUCT IS RoHS
COMPATIBLE, SEE NOTE 3

DEPENDS ON:
INSULATION BARREL,
WIRE BARREL AWG RANGE,
REELING METHOD,
NUMBER OF PRODUCT.
SEE TABLE SHEET 2/2.

PLATING CODE
3= 0.76µm GOLD ON CONTACT AREA.
3.81µm TIN-LEAD ON TAIL.
4= 5µm TIN-LEAD ON CONTACT AREA.
3.81µm TIN-LEAD ON TAIL.

WHEN SUFFIX "LF" IS REQUIRED, 2µm MIN MATTE
TIN OVER 1.27 MIN Ni IS SUPPLIED INSTEAD OF SnPb.

NOTES:

- 1 - TERMINAL MATERIAL: PHOSPHOR BRONZE.
- 2 - PRODUCT PACKED IN REEL.
- 3 - RoHS COMPATIBLE PRODUCT SPECIFICATIONS

a - PLATING:

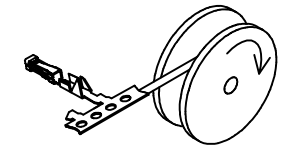
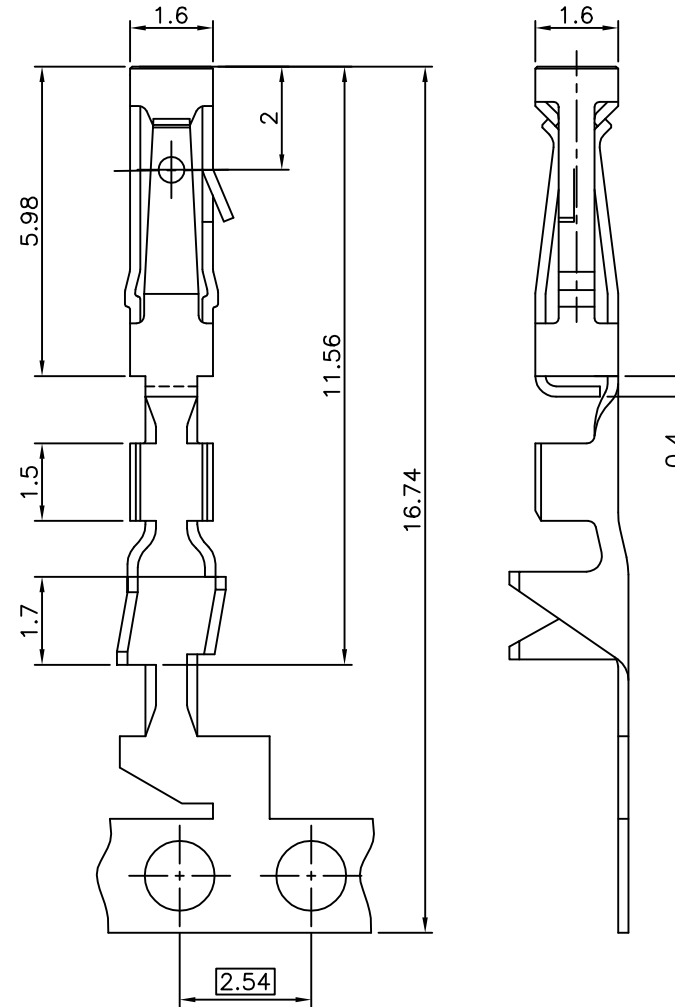
- "LF" MEANS THE PRODUCT IS LEAD-FREE,
2µm MINIMUM MATTE TIN OVER 1.27µm
MINIMUM NICKEL UNDERPLATE.

b - LABELING:

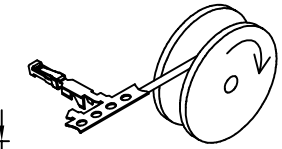
- MEETS PACKAGING SPECS AS PER GS-14-920

c - LEGAL STATEMENT: SEE GS-22-008

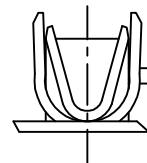
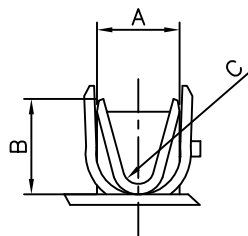
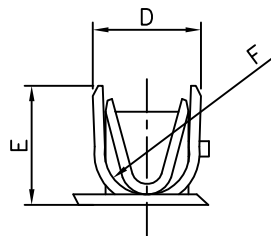
THE PRODUCT IS NOT INTENDED TO BE EXPOSED TO A



REELING METHOD P



REELING METHOD R



mat'l. code		surface		tolerance		projection		product family	
		ISO 1302		ISO 406 ISO 1101		mm		DUBOX	
ltr		ecn no		dr		date		title	
S		F06-0237		DLE		06.07.103		CtW CONTACT ON REEL	
L		F04-0145		DLE		04.02.25		scale 10:1	
M		F04-036Q		DLE		04.10.11		sheet 1 of 2	
N		F04-0373		DLE		04.11.19		size A3	
P		F05-0286		DLE		05.11.07		76347	
R		F06-0215		DLE		06.06.30		type CUSTOMER Drawing	
sheet		revision		S		D			
index		sheet		1		2			

PRODUCT NUMBER	WIRE BARREL			INSULATION BARREL			REELING		APPLICATION DATA		
	AWG SIZE	A	B	C	INSULATION DIA RANGE	D	E	F		METHOD	PRODUCTS
76347-X01(LF)	22-30	1.6	1.6	0.3	0.9-1.5	2.1	2.6	0.8	P	15 000	TA 317
76347-X02(LF)	22-30	1.6	1.6	0.3	0.9-1.5	2.1	2.6	0.8	R	15 000	TA 317
76347-X03(LF)	22-30	1.6	1.6	0.3	0.9-1.5	2.1	2.6	0.8	R	500	TA 317
76347-X11(LF)	20-22	2.1	2.0	0.6	1.1-1.6	2.4	2.2	0.8	P	15 000	TA 317
76347-X12(LF)	20-22	2.1	2.0	0.6	1.1-1.6	2.4	2.2	0.8	R	15 000	TA 317
76347-X41(LF)	28-32	1.7	1.0	0.3	0.55-0.8	1.3	1.3	0.3	P	15 000	TA 340
76347-X42(LF)	28-32	1.7	1.0	0.3	0.55-0.8	1.3	1.3	0.3	R	15 000	TA 340



FCJconnect.com

Copyright FCJ

mat'l. code		surface		tolerance		projection		product family	
		ISO 1302 <input checked="" type="checkbox"/>		ISO 406 ISO 1101				DUBOX	
ltr	ecn no	dr	date	tolerances unless otherwise specified				title	
A	F10103	GCO	00.12.22	angles	linear	mm		CtW CONTACT ON REEL	
B	F10527	GSA	01.09.20			scale 2.5:1			
C	F04-0373	DLE	04.11.19					dwg no	
D	F06-0215	DLE	06.06.30	dr	G CORBOZ	00.12.22			sheet 2 of 2
				enr	P NIZZI	00.12.22			size
				chr					A3
				appd	P N	00.12.22			type
sheet	revision								Drawing
index	sheet								