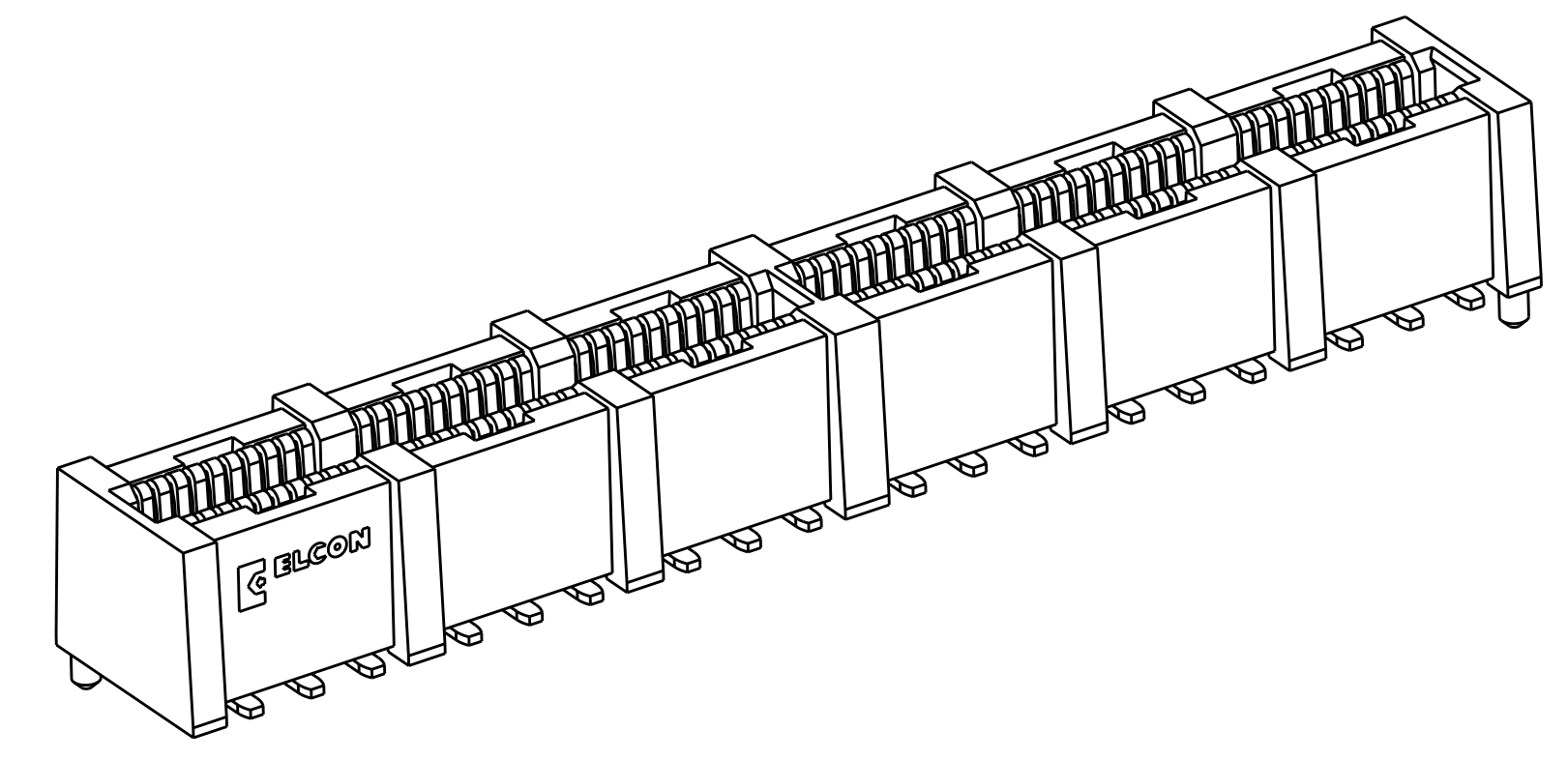
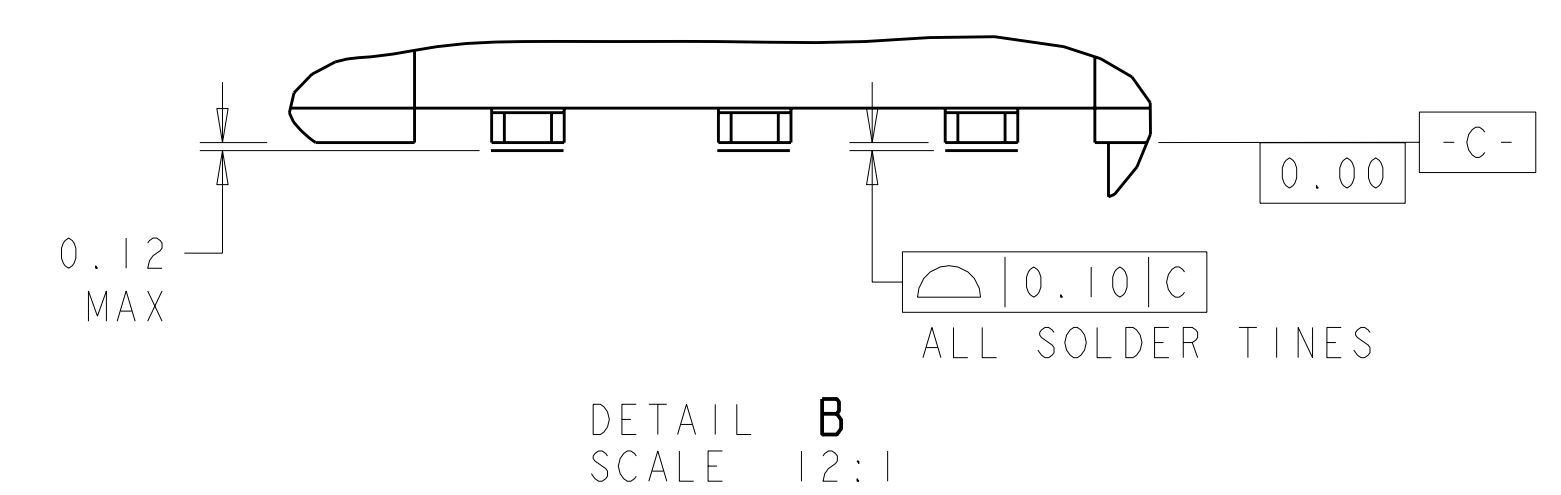
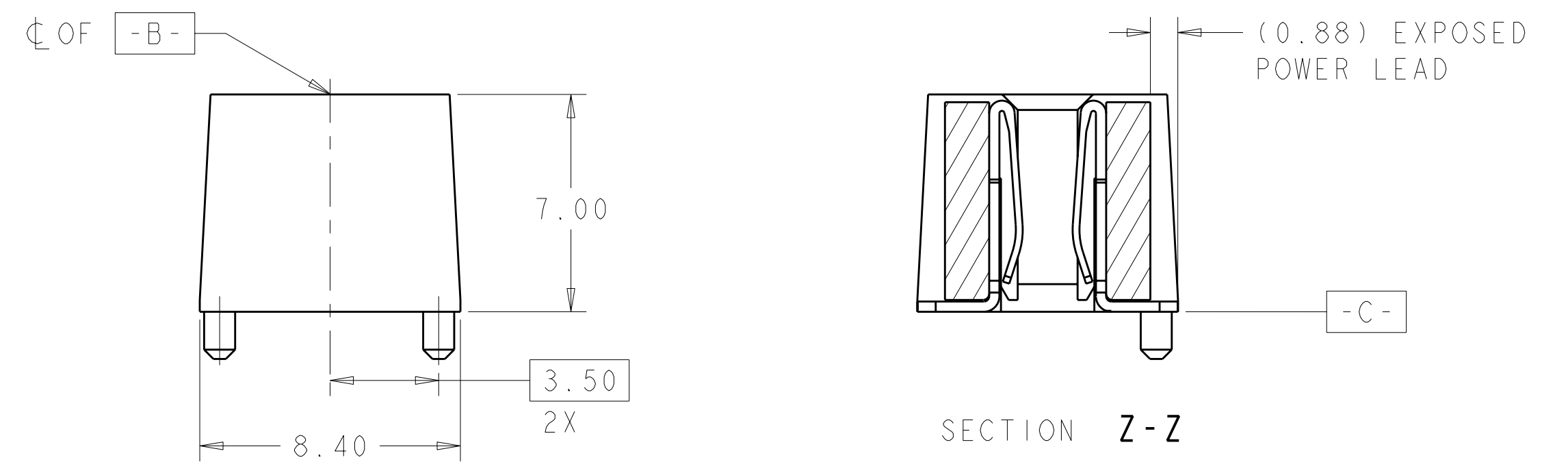
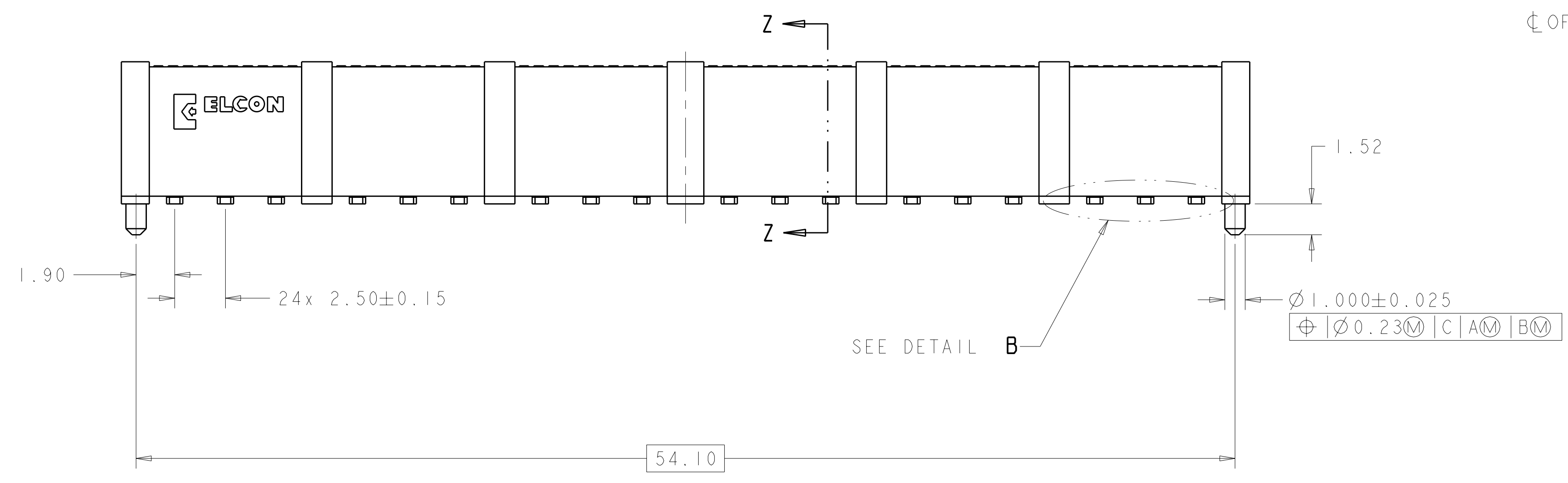
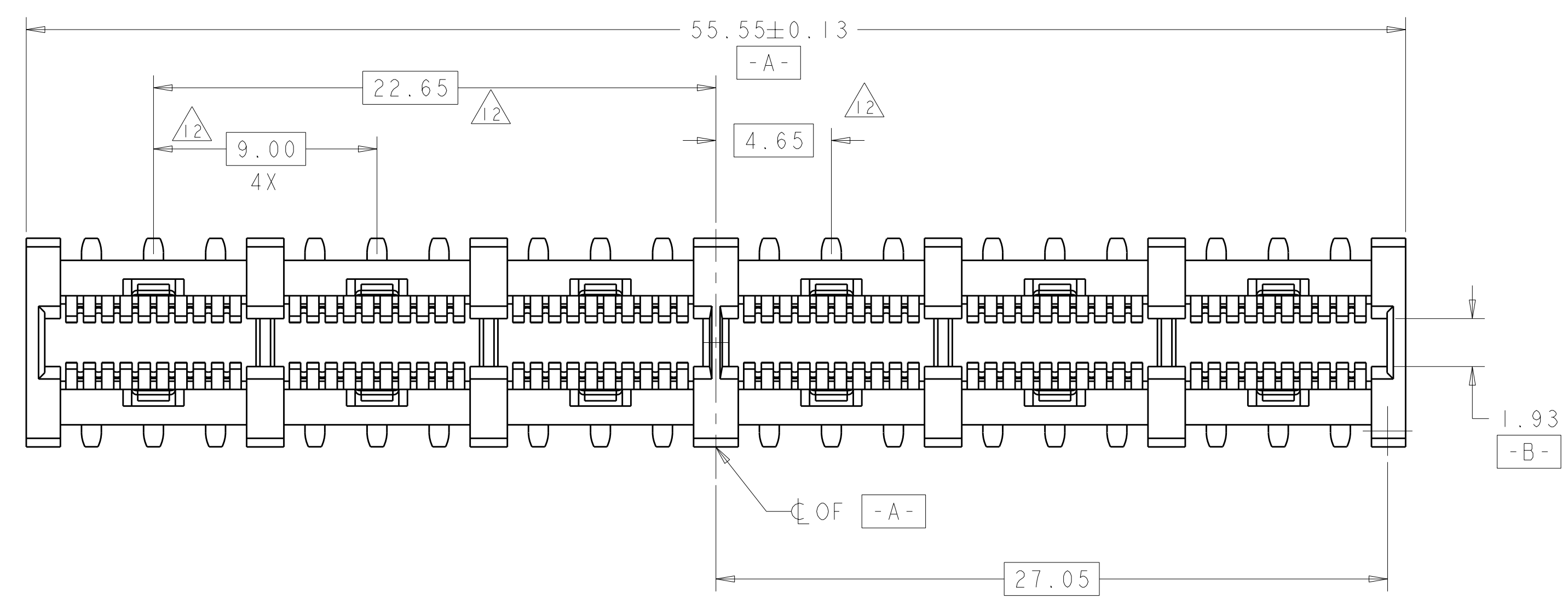


LOC	DIST	REVISIONS			
GP	00	REV	DATE	BY	APPD
		A	14AUG2009	RG	RL
		A1	28AUG2009	MTS	MTS

- PART NUMBER CHANGES AND OR DESIGN CHANGES AFFECTING ITEM INTERCHANGEABILITY REQUIRE PRIOR TYCO ELECTRONICS APPROVAL AND AUTHORIZATION BY REVISION TO THIS DRAWING.
- MATERIAL:
 HOUSING: THERMOPLASTIC GLASS REINFORCED, COLOR-BLACK
 UL94V-0 FLAMMABILITY RATED
 CONTACTS: COPPER ALLOY
- FINISH:
 POWER CONTACTS:
 1.27µm MIN NICKEL PLATE ALL OVER
 MATING AREA-0.76µm MIN GOLD OVER NICKEL PLATE
 SMT TAILS-3.05µm MIN TIN OVER NICKEL PLATE
- ITEMS PROVIDED TO THIS SPECIFICATION TO BE PERMANENTLY IDENTIFIED WITH PART NUMBER AND DATE CODE.
- DATUMS AND BASIC DIMENSIONS ESTABLISHED BY CUSTOMER.
- FOR DESIGN OBJECTIVES SEE 108-2301.
- MAXIMUM BURR OF 0.013 ON CARD TAB AREA.
- CONNECTOR ACCEPTS 1.57±0.13 THK. PC BOARD.
- KEEP OUT AREA FOR COMPONENTS ONLY
- RECOMMENDED GOLD FINGER LENGTH FOR RELIABLE CONTACT.
- CONNECTOR MATES WITH TYCO ELECTRONICS P/N 1926785-1 OR 6651711-1, OR EQUIVALENT.
- MEASURED CENTERLINE OF HOUSING CIRCUIT WITHOUT CONTACTS.



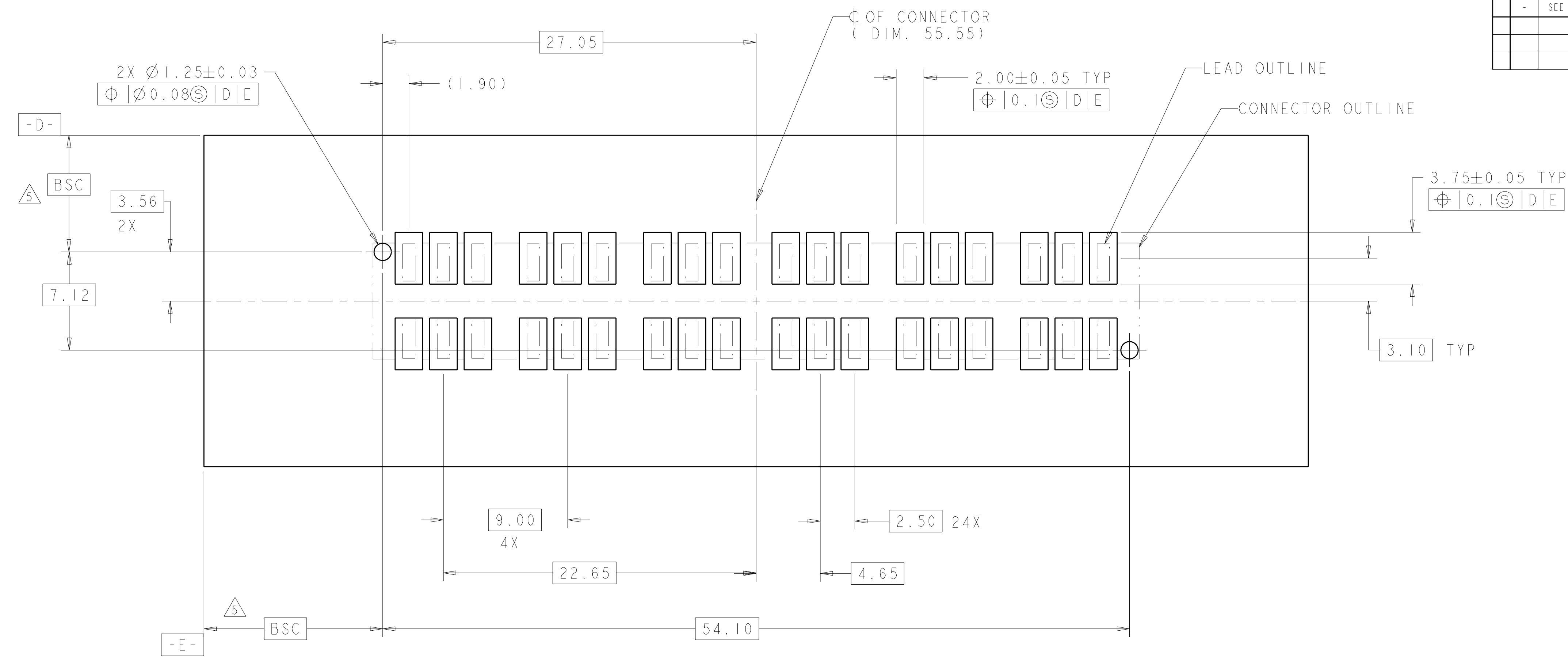
SCALE 4:1

AS SHOWN	1926793-2
DESCRIPTION	PART NUMBER

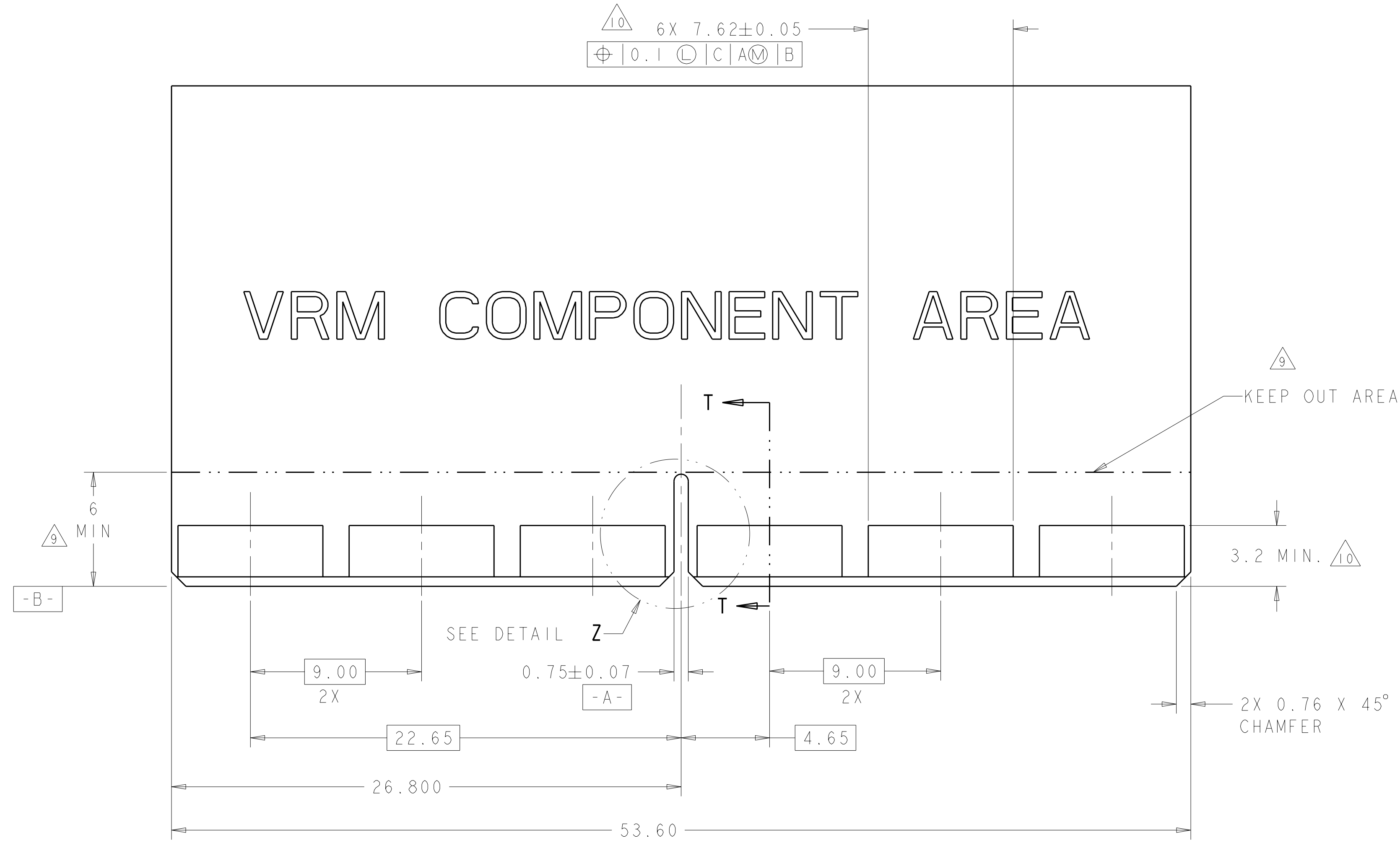
DIMENSIONS: mm 9 PLC ±.5 1 PLC ±.5 2 PLC ±.25 3 PLC ±.5 4 PLC ±.5 ANGLES ±.5		TOLERANCES UNLESS OTHERWISE SPECIFIED: FINISH: 2, 3		DWN: R. GRZYBOWSKI 11MAR2008 CHK: P. DAMATO 11MAR2008 APVD: S. FLICKINGER 11MAR2008		Tyco Electronics Harrisburg, PA 17105-3608	
MATERIAL: 2 FINISH: 3				NAME: SOCKET CONNECTOR ASSEMBLY SMT APPLICATION SPEC: 6 POWER, MINI CROWN EDGE		SIZE: A 00779 C=1926793 SCALE: 6:1 SHEET 1 OF 3 REV A1	
CUSTOMER DRAWING				RESTRICTED TO		WEIGHT: -	

LOC	DIST	REV	DATE	BY	APPD
GP	00				

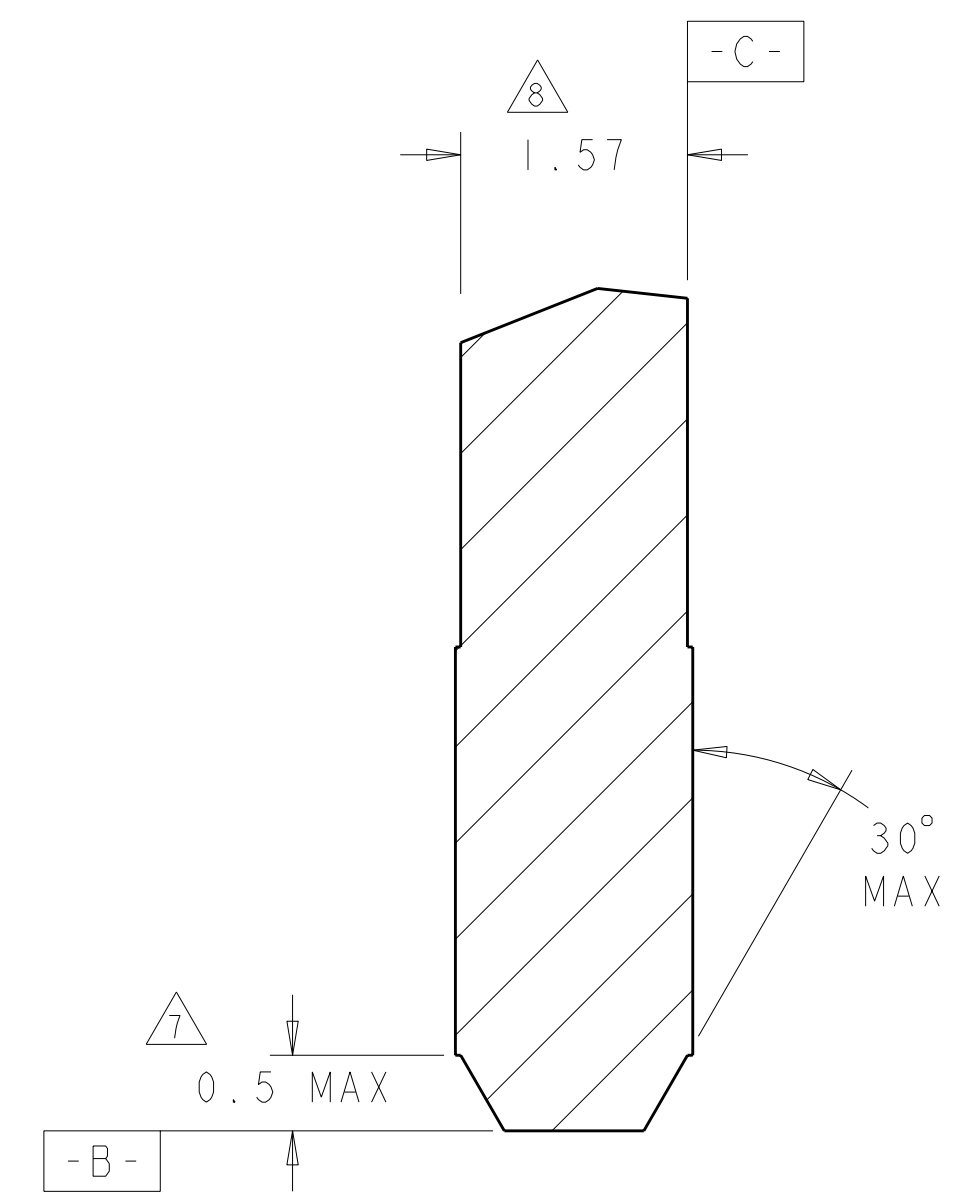
REVISIONS		DATE	BY	APPD
1	SEE SHEET 1			



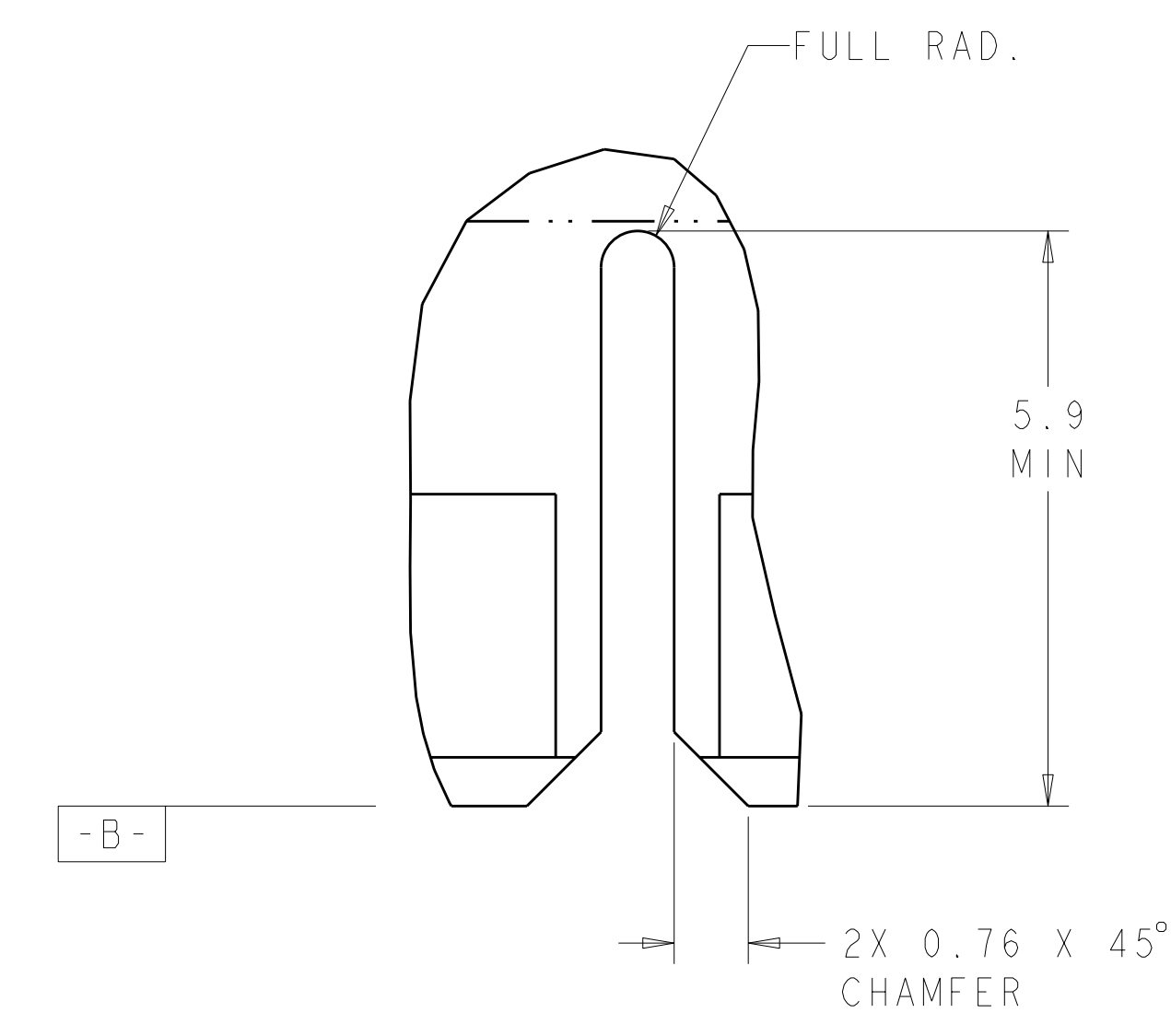
RECOMMENDED SOLDER LAND GUIDELINE
 AS VIEWED FROM THE CONNECTOR SIDE
 SCALE 6:1



RECOMMENDED MATING BOARD
 SCALE 6:1



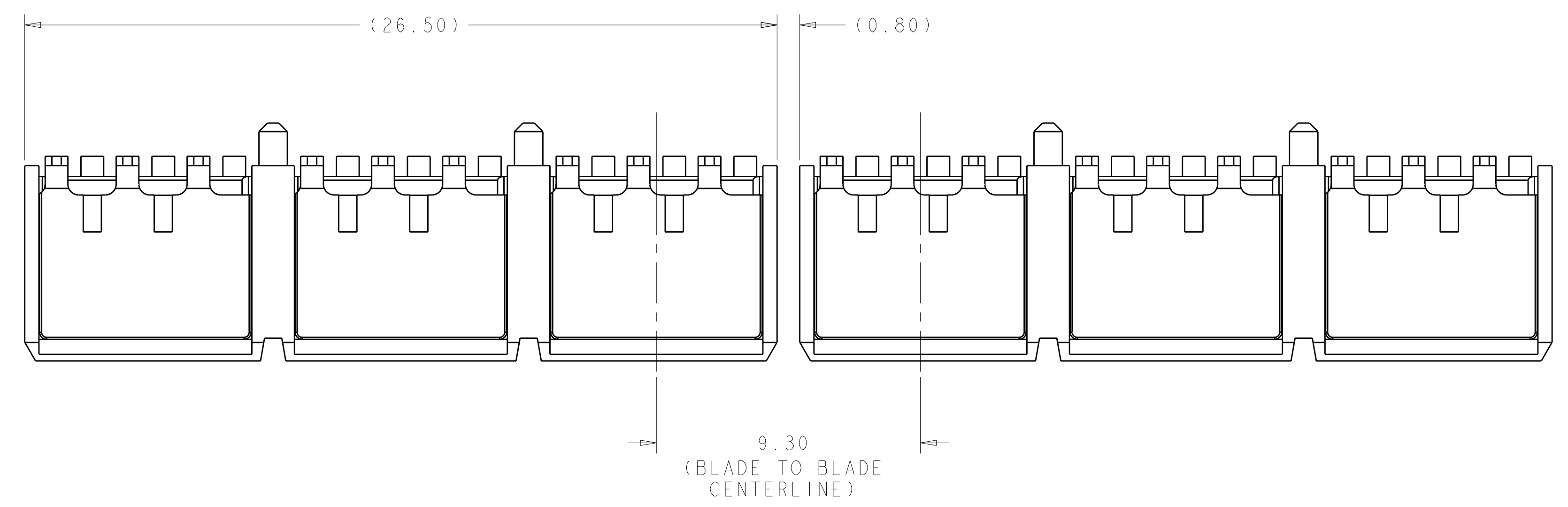
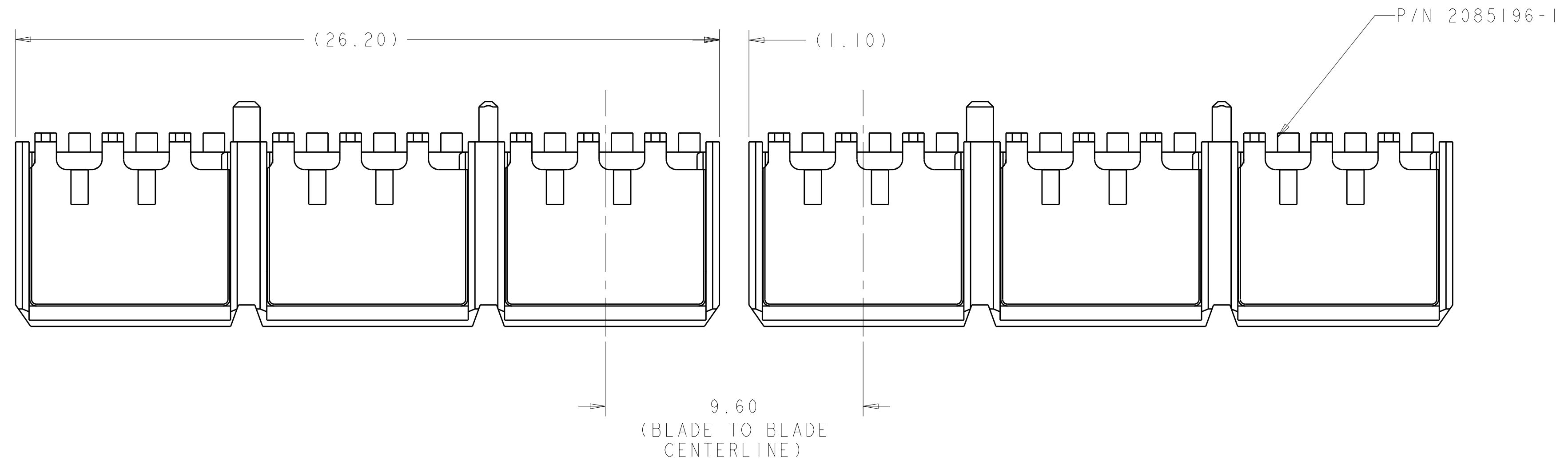
SECTION T-T
 SCALE 20:1



DETAIL Z
 SCALE 14:1

DIMENSIONS: mm 		TOLERANCES UNLESS OTHERWISE SPECIFIED: 9 PLC ±.5 1 PLC ±.5 3 PLC ±.25 4 PLC ±.5 ANGLES ±.5 FINISH		DWN R. GRZYBOWSKI 11MAR2008 CHK P. DAMATO 11MAR2008 APVD S. FLICKINGER 11MAR2008 NAME PRODUCT SPEC APPLICATION SPEC WEIGHT CUSTOMER DRAWING		Tyco Electronics Harrisburg, PA 17105-3608 SOCKET CONNECTOR ASSEMBLY SMT 6 POWER, MINI CROWN EDGE SIZE CAGE CODE DRAWING NO. RESTRICTED TO A1100779C=1926793 SCALE 6:1 SHEET 2 OF 3 REV A1	
-----------------------	--	---	--	--	--	---	--

LOC	DIST	REVISIONS			
P	LTB	DESCRIPTION	DATE	DWN	APVD
GP	00	SEE SHEET 1	-	-	-



BLADE CONNECTOR (SURFACE MOUNT)
LAYOUT

<small>THIS DRAWING IS UNPUBLISHED. RELEASED FOR PUBLICATION BY TYCO ELECTRONICS CORPORATION. IT IS SUBJECT TO CHANGE WITHOUT NOTICE AND WITHOUT OBLIGATION. SHOULD BE CONTACTED FOR THE LATEST REVISION.</small>		DWN: R. GRZYBOWSKI CHK: P. DAMATO APVD: S. FLICKINGER	TYPICAL DIMENSIONS 9 PLC ±.5 7 PLC ±.5 5 PLC ±.25 4 PLC ±.5 ANGLES ±.5 FINISH -	DIMENSIONS: mm TOLERANCES UNLESS OTHERWISE SPECIFIED:	TYPICAL DIMENSIONS 9 PLC ±.5 7 PLC ±.5 5 PLC ±.25 4 PLC ±.5 ANGLES ±.5 FINISH -	DWN: J. MARZ08 CHK: J. MARZ08 APVD: J. MARZ08	NAME: SOCKET CONNECTOR ASSEMBLY SMT 6 POWER, MINI CROWN EDGE SIZE: A 00779 C=1926793 SCALE: 6:1 SHEET: 3 OF 3 REV: A1	Tyco Electronics Harrisburg, PA 17105-3608
MATERIAL: -		WEIGHT: -		CUSTOMER DRAWING		RESTRICTED TO: -		