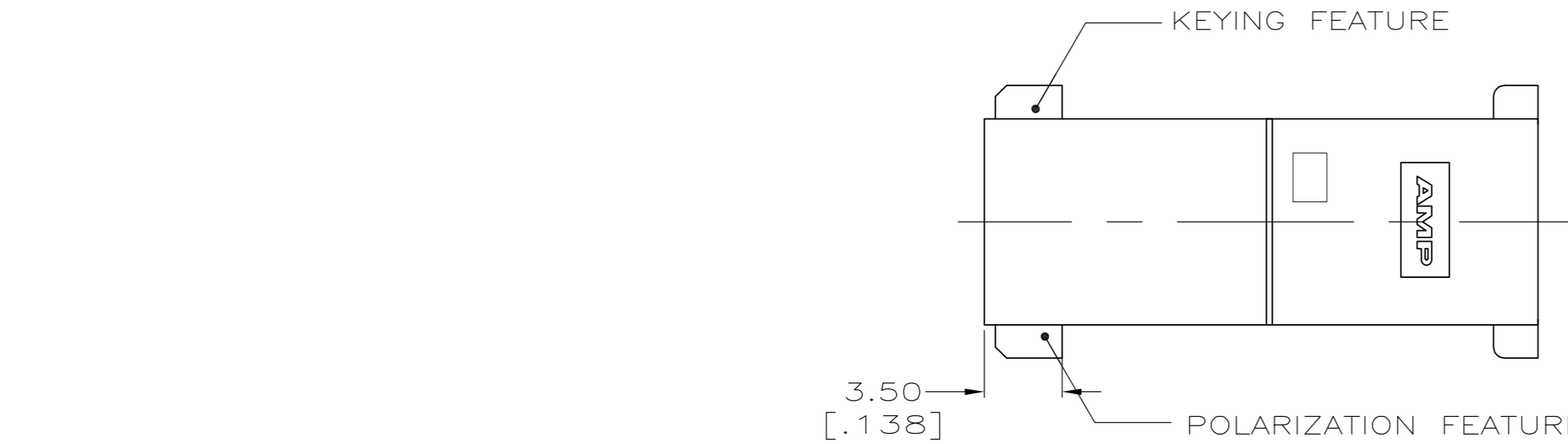
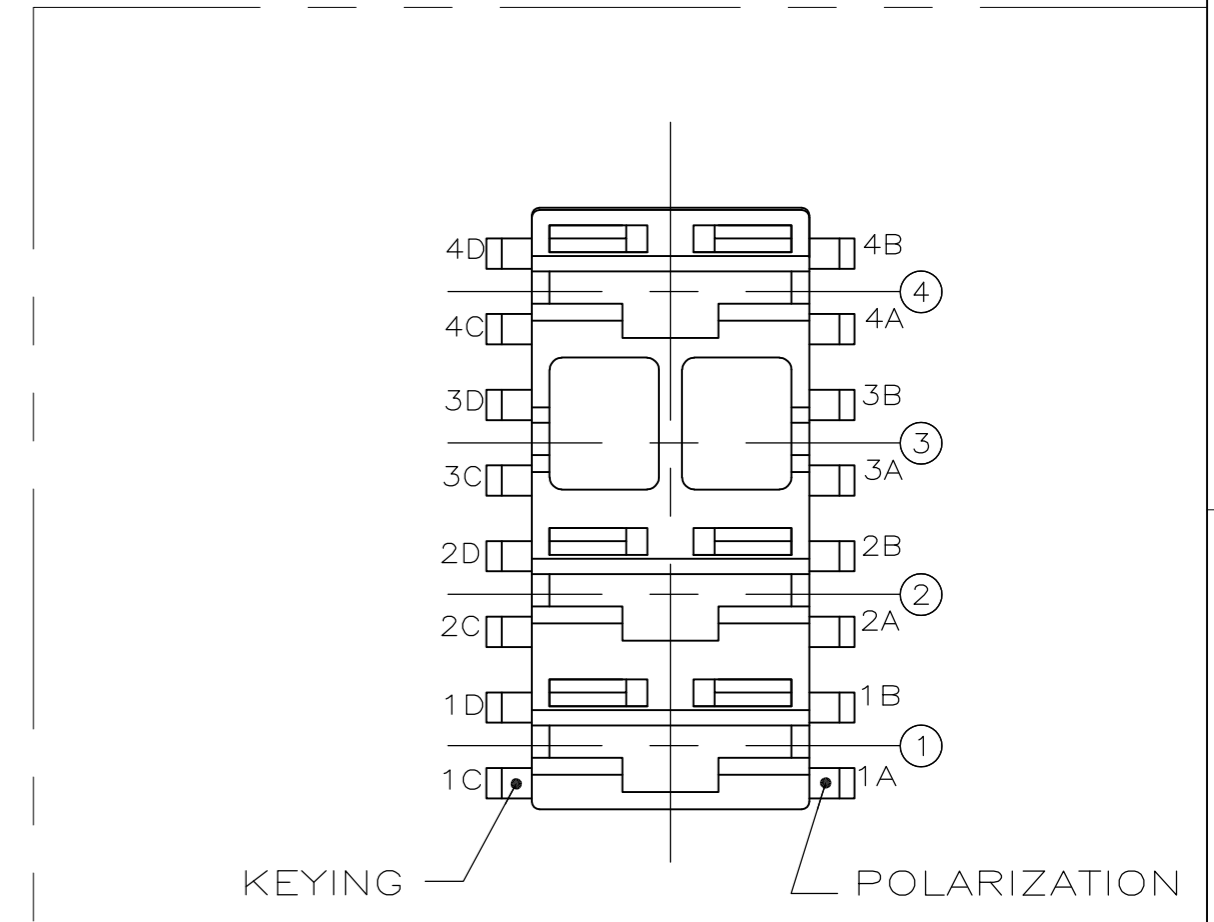
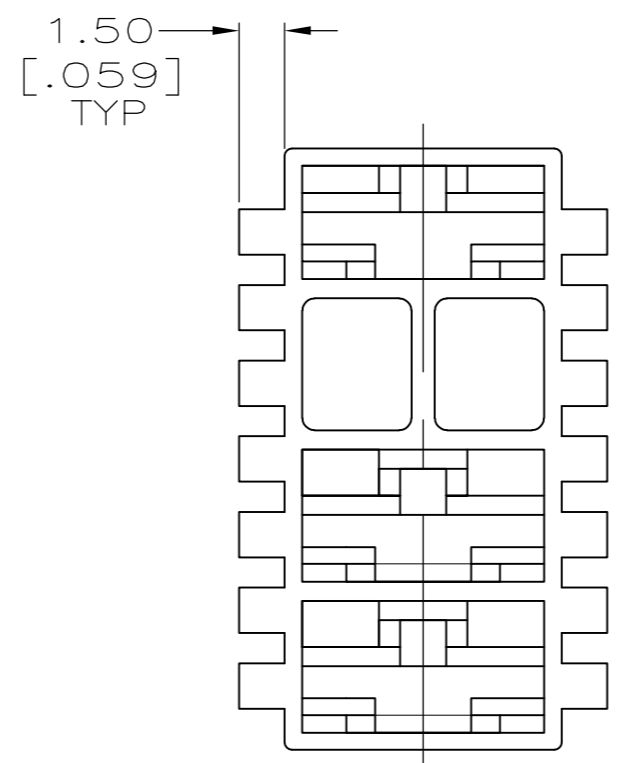
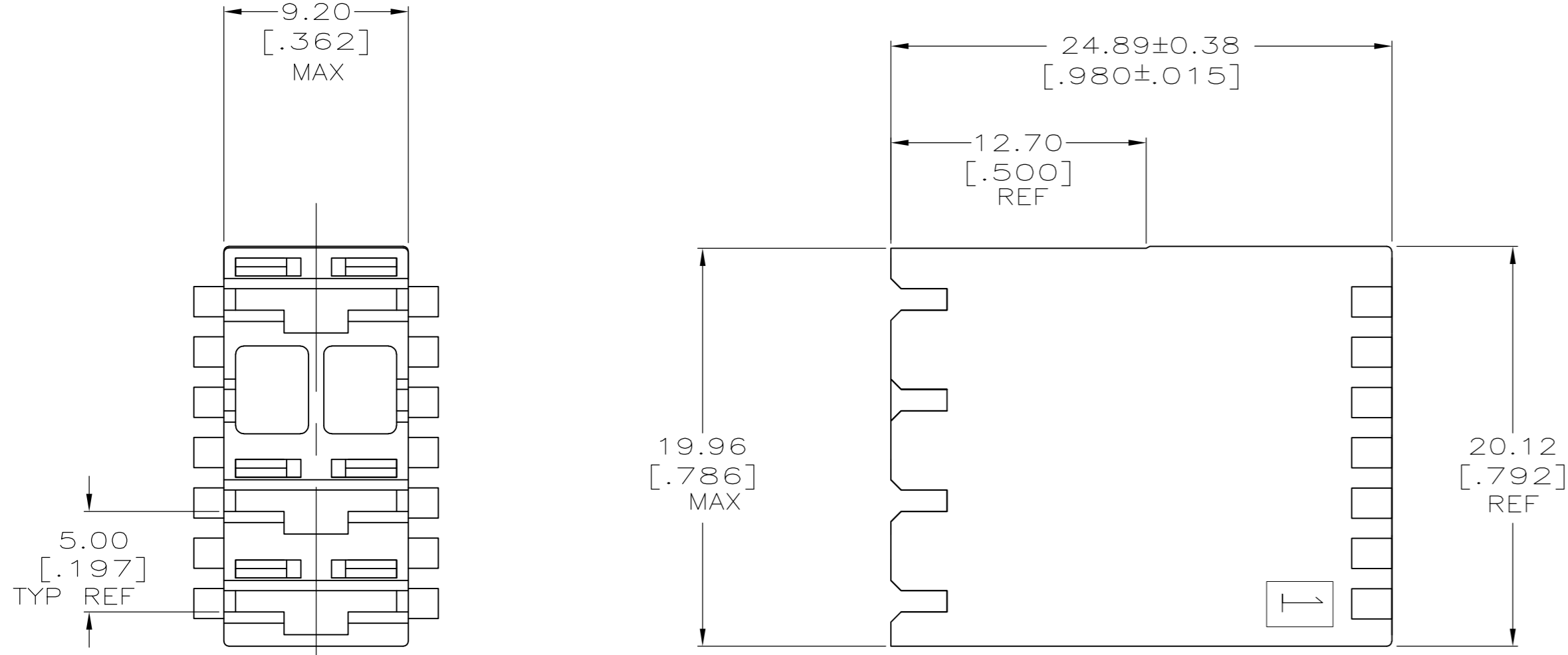


THIS DRAWING IS UNPUBLISHED. RELEASED FOR PUBLICATION  
 © COPYRIGHT - By - ALL RIGHTS RESERVED.

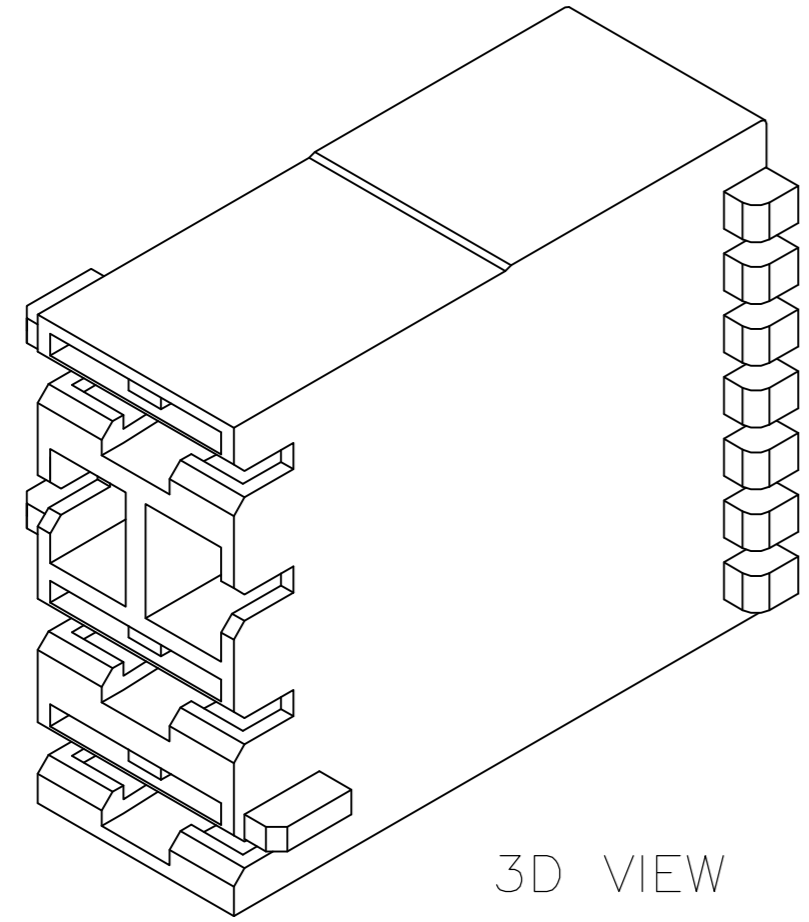
REVISIONS				
P	LTR	DESCRIPTION	DATE	APVD
J		REVISED PER ECR-16-001902	22MAR2016	BW JP



- ACCEPTS RECEPTACLE CONTACTS 1217378(#18-#22 AWG SINGLE WIRE), 1217094(#18-#14 AWG SINGLE WIRE) AND 1217095 (TWO #18'S OR TWO #16'S OR A #16 + #18 COMBINATION).
  - FRONT AND BACK VIEWS SHOW ONLY THE GRIPPERS. FOR KEYING AND POLARIZATION FEATURES, SEE SPECIAL FRONT VIEW.
  - TAB SHOULDER SLOTS OPTIONAL ON BOTH SIDES OF DUMMY CIRCUIT.
- ⚠ PRELIMINARY - NOT FOR PRODUCTION



KEYING & POLARIZATION  
 CODING AND COMBINATIONS  
 SPECIAL FRONT VIEW



3D VIEW

OBSOLETE	---	BLUE	NONE	NONE	⚠ 521295-3-
	04-A	NATURAL	3C, 4D	1B	⚠ 521295-2
---	BLUE	NONE	NONE		521295-1
RAST 5 DESIGNATION	COLOR	KEYING FEATURE	POLARIZATION FEATURES	PART NO.	
THIS DRAWING IS A CONTROLLED DOCUMENT.		DWN JR RUTH 14APROO	 TE Connectivity HOUSING, RECEPT, POSITIVE-LOCK, MKIII, 6.35[.250] SERIES, 4 POSITION/3 CIRCUIT		
DIMENSIONS: mm		CHK MS FEHER 14APROO			
TOLERANCES UNLESS OTHERWISE SPECIFIED:		APVD D BRATINA 14APROO	NAME		
0 PLC ± - 1 PLC ± - 2 PLC ± 0.25 [.010] 3 PLC ± - 4 PLC ± - ANGLES ± -		APPLICATION SPEC 114-2074	SIZE A2	CAGE CODE 00779	DRAWING NO C=521295
MATERIAL NYLON	FINISH SEE TABLE	WEIGHT 0	RESTRICTED TO -		SCALE 4:1
CUSTOMER DRAWING		SHEET 1 of 1		REV J	