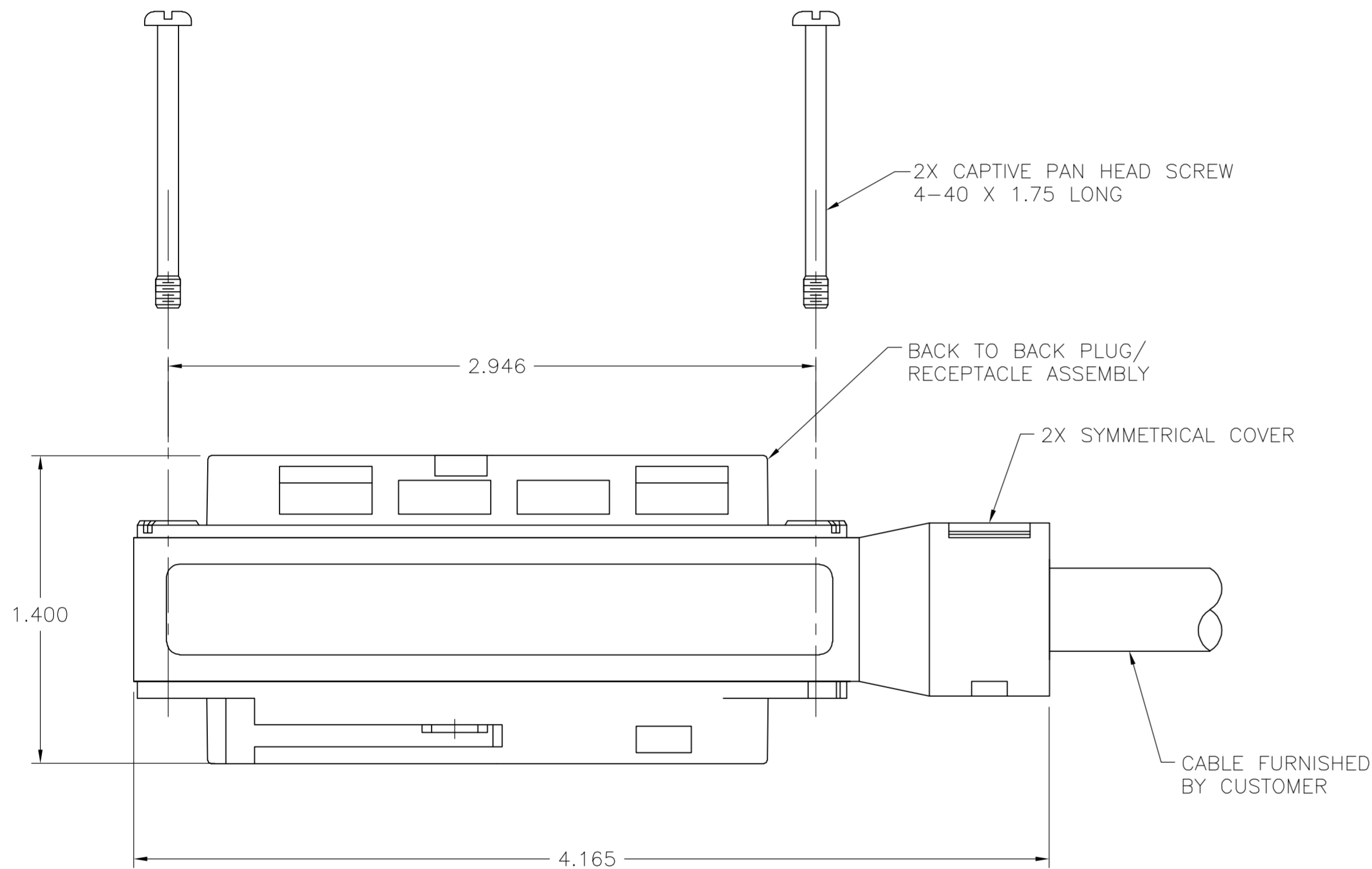


THIS DRAWING IS UNPUBLISHED. RELEASED FOR PUBLICATION  
 © COPYRIGHT BY TYCO ELECTRONICS CORPORATION. ALL RIGHTS RESERVED.

LOC	DIST	REVISIONS					
GP	00	P	LTR	DESCRIPTION	DATE	DWN	APVD
		0		RELEASED PER EC 0513-0288-05	05OCT05	BM	WM

- 1 MATERIAL:  
 HOUSING & COVER: THERMOPLASTIC(BLACK)  
 TERMINALS: GOLD OVER NICKEL PLATED HIGH STRENGTH COPPER ALLOY.  
 HARDWARE: ZINC PLATED STEEL.
- KIT SHOWN ASSEMBLED, HOWEVER, HARDWARE AND COVERS ARE INSTALLED AFTER CABLE IS APPLIED TO CONNECTORS.
  - COVERS AND HARDWARE SHIPPED UNASSEMBLED.
  - WIRE SIZE: 26 AWG SOLID OR 24 AWG. 7 STRANDS OF COPPER CONDUCTORS. MAX INSULATION DIAMETER OF .045 IS ACCEPTABLE FOR MOST APPLICATIONS.
  - CABLE RANGE:  $\phi$ .380-.400
  - PLUG & RECEPTACLE ARE BONDED TOGETHER.
  - THE CONTACT SURFACES OF THE TERMINALS ARE COATED WITH LUBRICANT.
  - ALL DIMENSIONS SHOWN ARE FOR REFERENCE ONLY UNLESS OTHERWISE SPECIFIED.
  - CENTER TO CENTER SPACING OF TERMINALS IS .085.
  - KIT SHIPPED IN POLY BAG FORM.



5553257-1  
 PART NUMBER

THIS DRAWING IS A CONTROLLED DOCUMENT.		DWN B. MCMASTER	05OCT05	 Tyco Electronics Corporation Harrisburg, PA 17105-3608													
DIMENSIONS: INCHES		CHK W. MILLHIMES	05OCT05														
TOLERANCES UNLESS OTHERWISE SPECIFIED:		APVD W. MILLHIMES	05OCT05														
<table border="1"> <tr><td>0 PLC</td><td>± -</td></tr> <tr><td>1 PLC</td><td>± -</td></tr> <tr><td>2 PLC</td><td>± -</td></tr> <tr><td>3 PLC</td><td>± -</td></tr> <tr><td>4 PLC</td><td>± -</td></tr> <tr><td>ANGLES</td><td>± -</td></tr> <tr><td>FINISH</td><td>± -</td></tr> </table>		0 PLC	± -		1 PLC	± -	2 PLC	± -	3 PLC	± -	4 PLC	± -	ANGLES	± -	FINISH	± -	PRODUCT SPEC -
0 PLC	± -																
1 PLC	± -																
2 PLC	± -																
3 PLC	± -																
4 PLC	± -																
ANGLES	± -																
FINISH	± -																
MATERIAL 1	FINISH 1	APPLICATION SPEC -	WEIGHT -	SIZE A2	CAGE CODE 00779	DRAWING NO C=5553257	RESTRICTED TO -										
CUSTOMER DRAWING				SCALE 2:1	SHEET 1 of 1	REV 0											