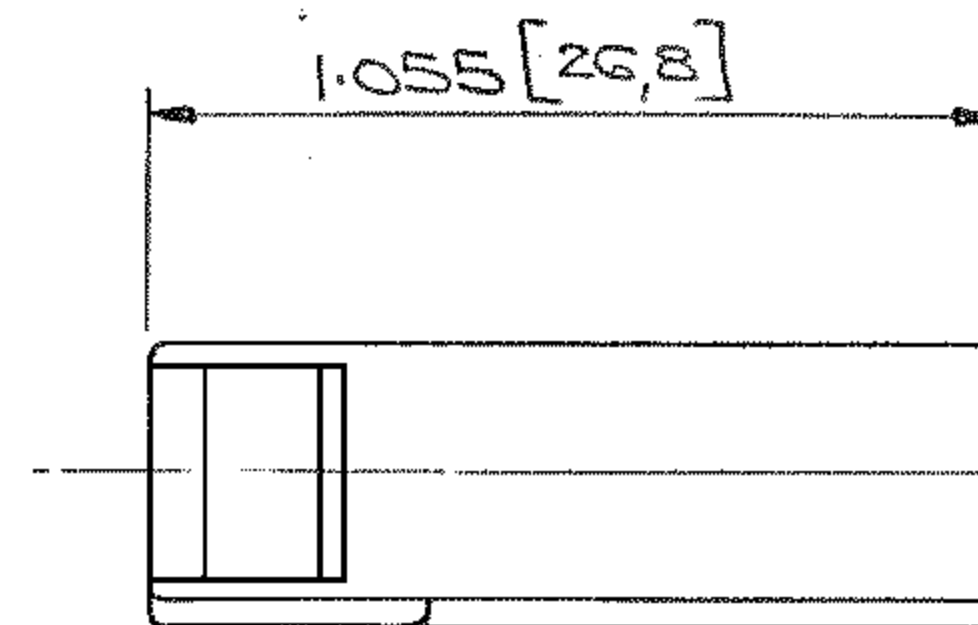
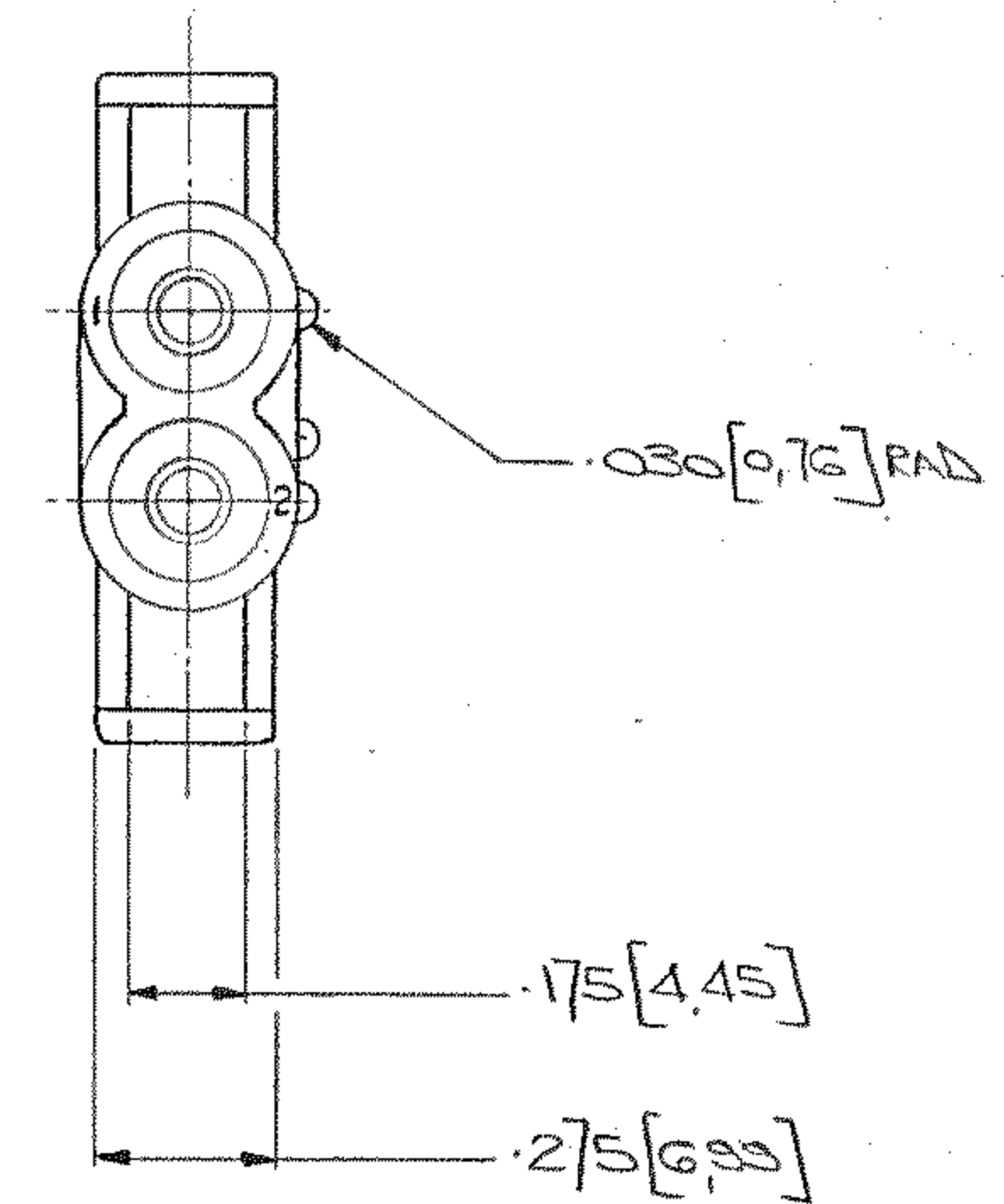
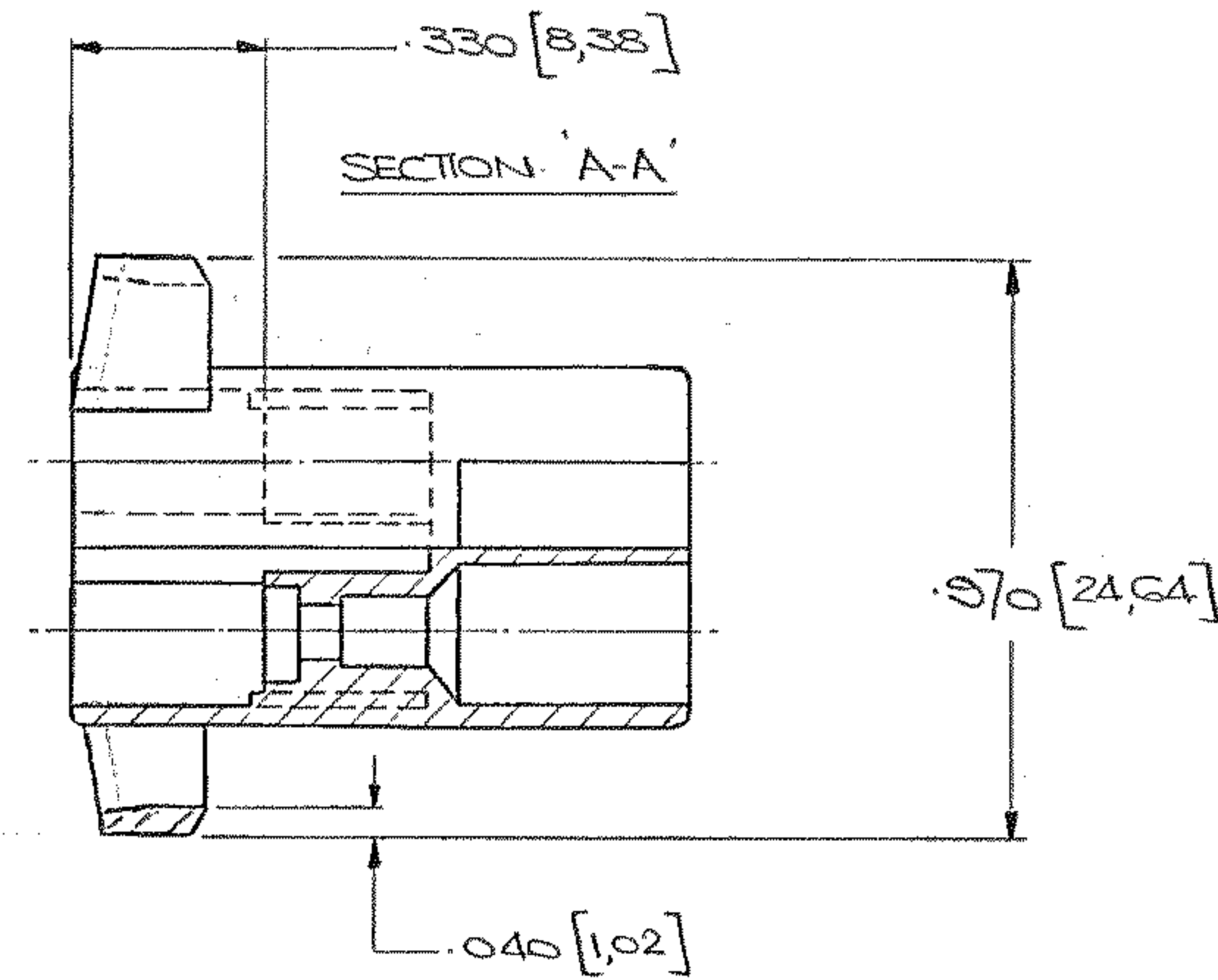
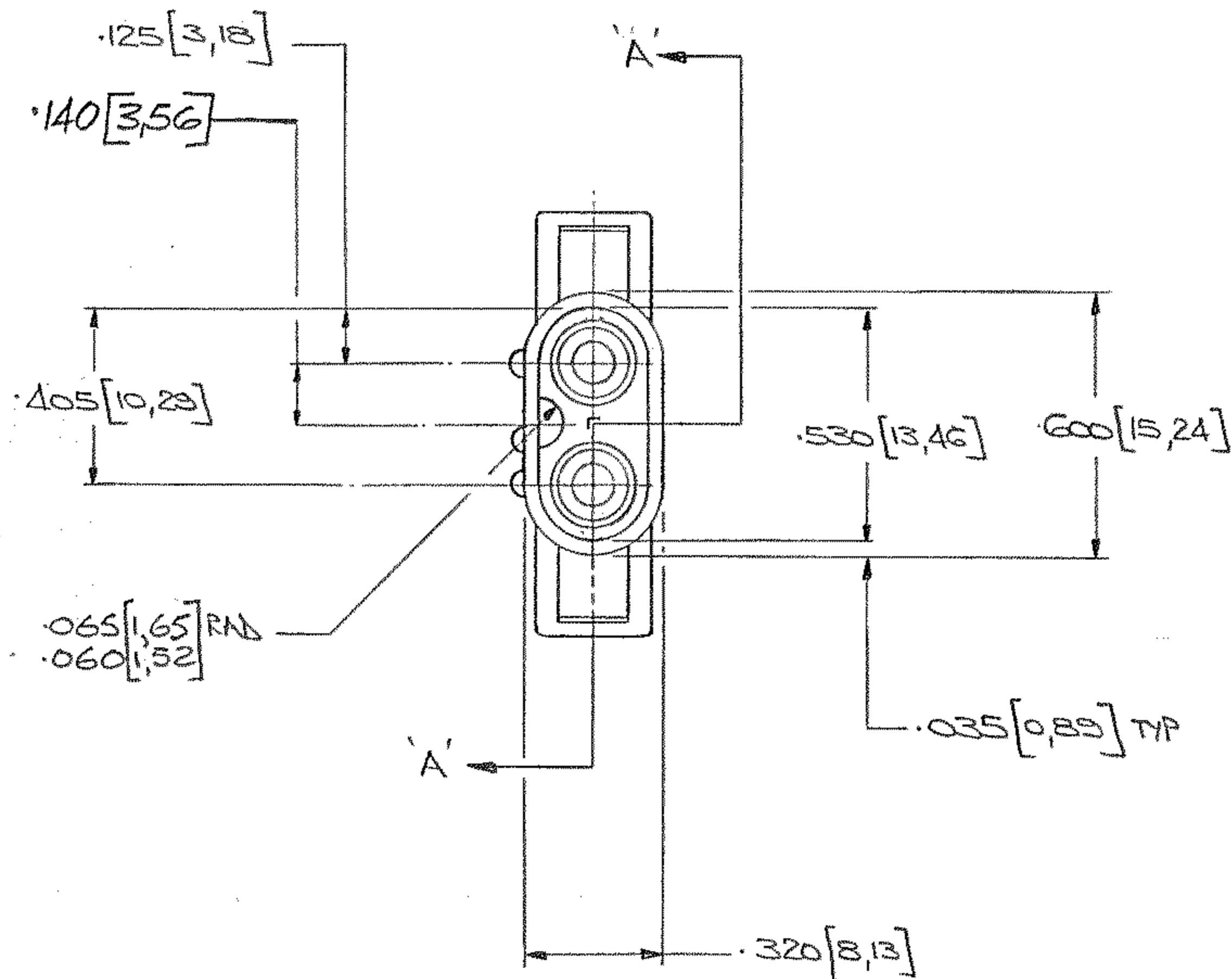


3rd ANGLE (AMERICAN) PROJECTION

DIMENSIONS IN INCHES. DO NOT SCALE PRINT
DIMENSIONS THUS [] IN MM

1 OBSOLETE PARTS: OBSOLETE CIS STREAMLINING PER
D.RENAUD/D.SINISI

NUMBER
C 151679



	2-151679-0	NATURAL	NYLON TO UL94 V0
OBSOLETE	1-151679-0	NATURAL	NYLON TO UL94 V0
	151679-9	BLACK	NYLON 6-6
	-8	GREY	
	-7	VIOLET	
OBSOLETE	-6	BLUE	
OBSOLETE	-5	GREEN	
1	-4	YELLOW	
	-3	ORANGE	
OBSOLETE	-2	RED	
	-1	BROWN	
	151679-0	NATURAL	NYLON 6-6
	PART NUMBER	COLOR	MATL.

M2	ECR-10-022530	KK	HMR	02FEB11
M1	REVISED PER ECO-09-022178	KK		22/09/09
M	ECR-07-011558	MG		16/05/07
LTR	REVISION RECORD	DR	CHK	DATE
DR	D. Stulson	DR		8/1/67

CUSTOMER COPY
REFERENCE ONLY

MATERIAL AND FINISH: SEE TABLE

STE TE Connectivity

CLASS: _____

WIRE -- RANGE -- INSULATION: _____ TYPE: _____

TOLERANCE EXCEPT AS NOTED: ± .015 [0,4] ± 1% 0

SCALE: 2-1

LOC: E

NO: G-151679

REV: M2

NAME: 2-WAY MATE-N-LOK PIN HOUSING

PRINT DIST.