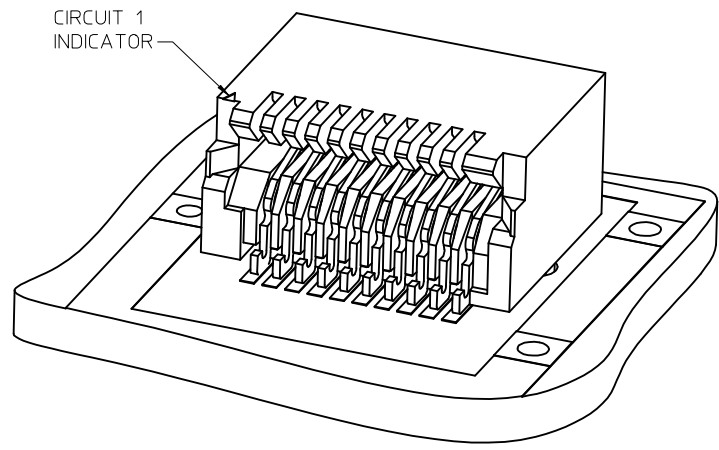


CKT SIZE	PART NUMBER	TOOLED	DESCRIPTION	"A"	"B"	"C"	"D"	MULTI-SOURCE AGREEMENT	CONNECTOR DRAWING	CIRCUIT BOARD DRAWING
20	74441-0001	YES	PLATED PER NOTE 2	1.10/.043	11.00/.433	9.40/.370	9.60/.378	SFP	PAGE 2	PAGE 3
	74441-0004	NO*	PLATED PER NOTE 2	0.76/.030						
	74441-0010	YES	PLATED PER NOTE 3	1.10/.043						
	74441-0014	NO*	PLATED PER NOTE 3	0.76/.030						
	74441-0021	YES	PLATED PER NOTE 4	1.10/.043						
	74441-0031	YES	PLATED PER NOTE 5	1.10/.043						
30	74441-0007	YES	PLATED PER NOTE 2	1.10/.043	15.00/.591	13.40/.528	13.60/.535	XFP	PAGE 2	PAGE 4
	74441-0017	YES	PLATED PER NOTE 3	1.10/.043						
	74441-0027	YES	PLATED PER NOTE 4	1.10/.043						
40	74441-0005	YES	PLATED PER NOTE 2	1.10/.043	19.00/.748	17.40/.685	17.60/.693		PAGE 2	PAGE 5
	74441-0015	YES	PLATED PER NOTE 3	1.10/.043						
	74441-0025	YES	PLATED PER NOTE 4	1.10/.043						
50	74441-0008	YES	PLATED PER NOTE 2	1.10/.043	23.00/.906	21.40/.843	21.60/.850		PAGE 2	PAGE 6
	74441-0018	YES	PLATED PER NOTE 3	1.10/.043						
	74441-0028	YES	PLATED PER NOTE 4	1.10/.043						
	74441-0038	YES	PLATED PER NOTE 5	1.10/.043						
70	74441-0003	YES	PLATED PER NOTE 2	1.10/.043	31.00/1.220	29.40/1.157	29.60/1.165	XENPAK XPAK X2	PAGE 2	PAGE 7
	74441-0013	YES	PLATED PER NOTE 3	1.10/.043						
	74441-0023	YES	PLATED PER NOTE 4	1.10/.043						
	74441-0033	YES	PLATED PER NOTE 5	1.10/.043						

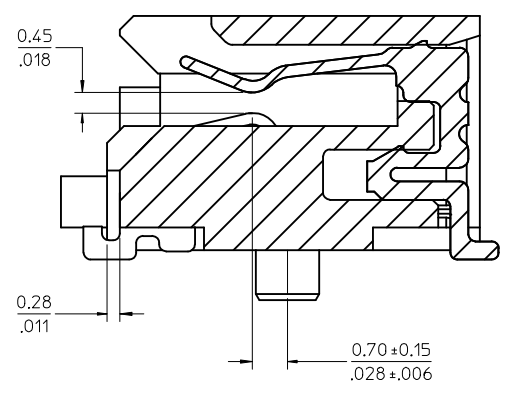
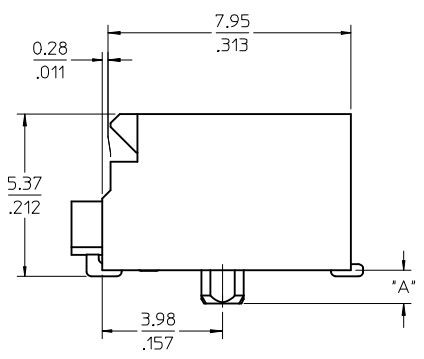
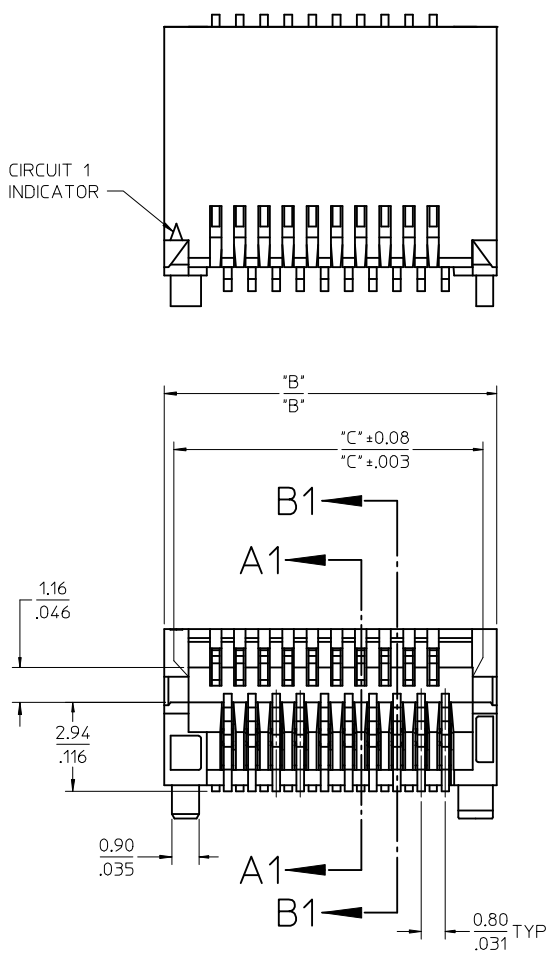
NOTES

- MATERIAL:**
HOUSING - HIGH TEMPERATURE THERMOPLASTIC GLASS FILLED, UL 94V-0, BLACK
TERMINALS - COPPER ALLOY
- PLATING (SEE TABLE):**
CONTACT AREA - 0.38 MICROMETER MINIMUM GOLD OVER NICKEL
SOLDER FOOT AREA - 2.54 MICROMETER MINIMUM TIN OVER NICKEL
- PLATING (SEE TABLE):**
CONTACT AREA - 0.76 MICROMETER MINIMUM GOLD OVER NICKEL
SOLDER AREA - 2.54 MICROMETER MINIMUM TIN OVER NICKEL
- PLATING (SEE TABLE):**
CONTACT AREA - 0.76 MICROMETER MINIMUM GOLD OVER NICKEL, LUBRICATED
SOLDER AREA: GOLD FLASH OVER NICKEL
- PLATING (SEE TABLE):**
CONTACT AREA - 0.76 MICROMETER MINIMUM GOLD OVER 2.54 NICKEL
SOLDER AREA: GOLD FLASH OVER NICKEL.
- PLATING (SEE TABLE):**
CONTACT AREA - 0.38 MICROMETER MINIMUM GOLD OVER NICKEL,
SOLDER AREA: GOLD FLASH OVER NICKEL.
- SOLDER FEET COPLANAR WITHIN 0.10/0.04 FOR 20, 30 AND 40 CIRCUIT CONNECTORS,
WITHIN 0.15/0.06 FOR 50 AND 70 CIRCUIT CONNECTORS**
- * CONTACT PLANT FOR MORE INFORMATION
- DATE CODE: 4 DIGIT (3 DIGIT DAY, 1 DIGIT YEAR)
- THE CIRCUIT 1 INDICATOR MAY VARY IN SIZE AND APPEARANCE.

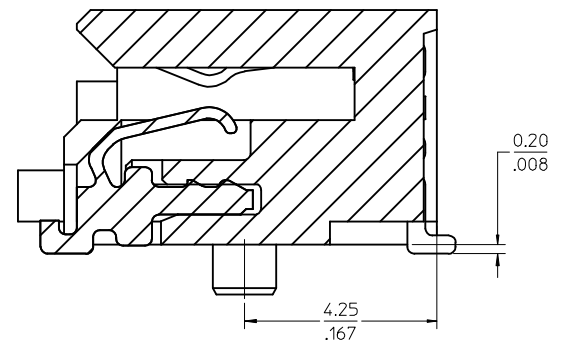


CLARIFY NOTE 10 EC NO: UCP2013-3493 DRW: MBARKER 2013/02/18 CHKD: APPR: MBANAKIS 2013/04/09	QUALITY SYMBOLS ▽=0 ▽=0 ▽=0	GENERAL TOLERANCES (UNLESS SPECIFIED) mm INCH 4 PLACES ± --- ± --- 3 PLACES ± --- ± --- 2 PLACES ± 0.13 ± .005 1 PLACE ± 0.25 ± .010 0 PLACE ± ±	DIMENSION STYLE MM/IN DRAWN BY DATE HAVERY 00/04/06 CHECKED BY DATE KSWEENEY 00/04/06 APPROVED BY DATE MBANAKIS 00/04/06	SCALE 1:1 DESIGN UNITS METRIC THIRD ANGLE PROJECTION	SALES ASSEMBLY Z AXIS PLUGGABLE PCB CONNECTOR molex	DOCUMENT NO. SD-74441-001 SHEET NO. 1 OF 7
	DRAFT WHERE APPLICABLE MUST REMAIN WITHIN DIMENSIONS		ANGULAR ±1/2°	SEE TABLE	THIS DRAWING CONTAINS INFORMATION THAT IS PROPRIETARY TO MOLEX INCORPORATED AND SHOULD NOT BE USED WITHOUT WRITTEN PERMISSION	

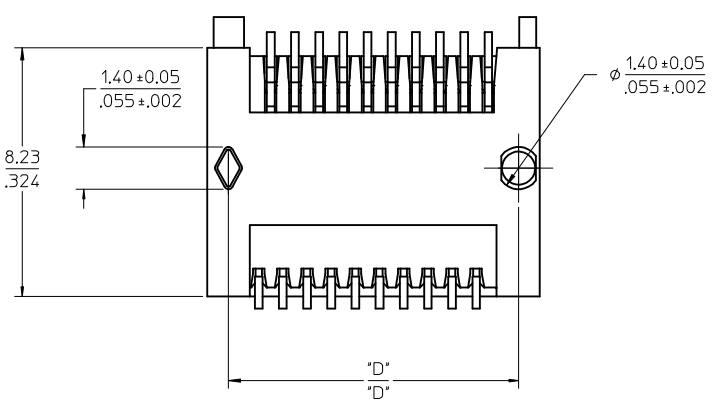
CIRCUIT 1 INDICATOR



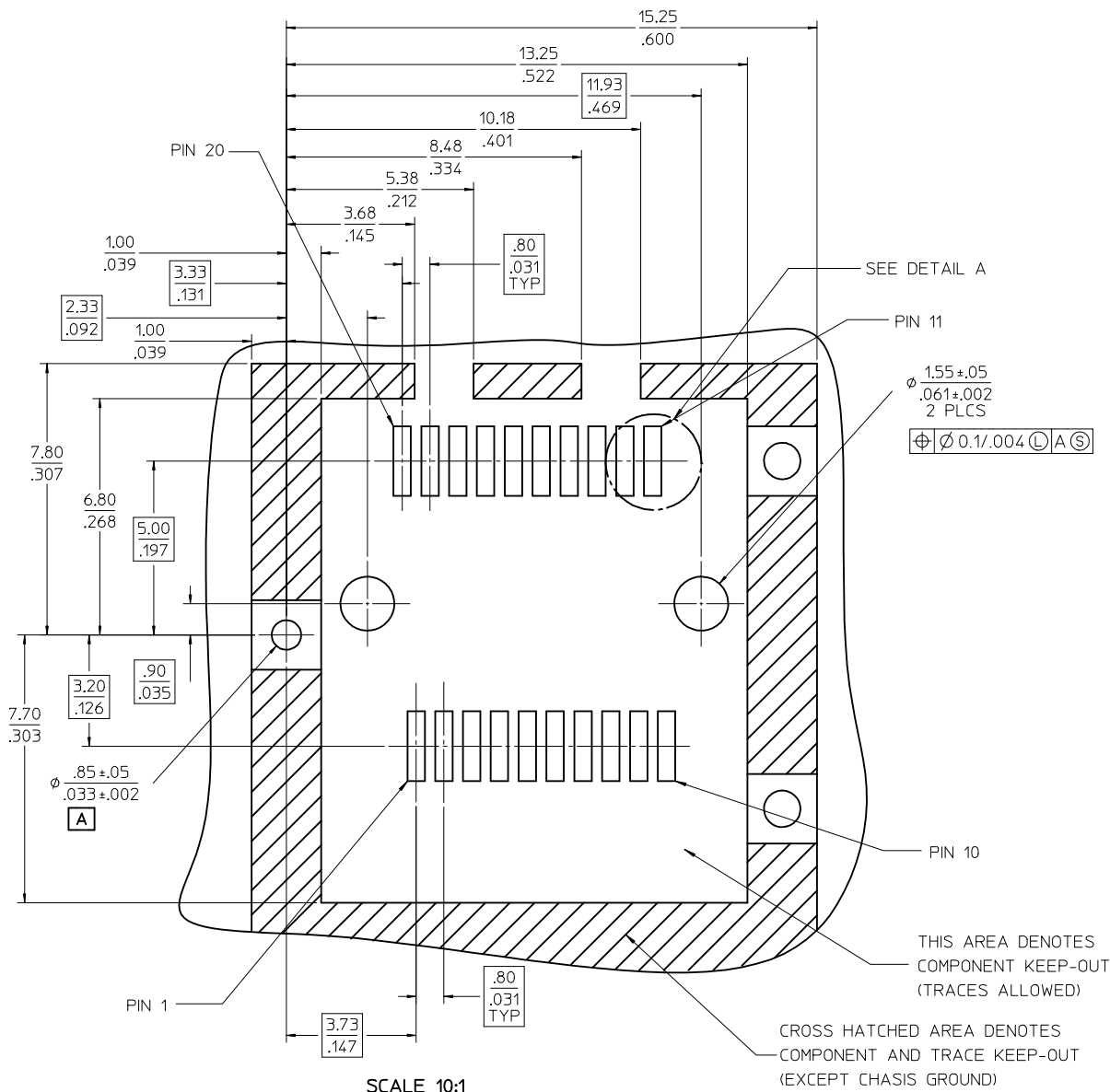
SECTION A1-A1
SCALE 12:1



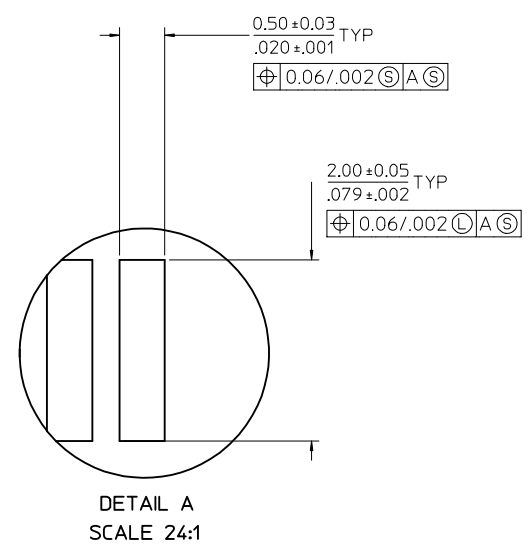
SECTION B1-B1
SCALE 12:1



SEE SHEET 1 EC NO: UCP2013-3493 DRW:MBARKER 2013/02/18 CHKD: APPR:MBANAKIS 2013/04/09	QUALITY SYMBOLS ∇=0 ∇=0 ∇=0	GENERAL TOLERANCES (UNLESS SPECIFIED)		DIMENSION STYLE MM/IN		SCALE 6:1	DESIGN UNITS METRIC	THIRD ANGLE PROJECTION	
		4 PLACES ± --- ± --- 3 PLACES ± --- ± --- 2 PLACES ± 0.13 ± .005 1 PLACE ± 0.25 ± .010 0 PLACE ± ±	mm INCH ± --- ± --- ± .005 ± .010 ±	DRAWN BY HAVERY DATE 00/04/06	CHECKED BY KSWEENEY DATE 00/04/06	TITLE SALES ASSEMBLY Z AXIS PLUGGABLE PCB CONNECTOR		DOCUMENT NO. SD-74441-001	
DRAFT WHERE APPLICABLE MUST REMAIN WITHIN DIMENSIONS		ANGULAR ±1/2°		MATERIAL NO. SEE TBL, SHT 1		THIS DRAWING CONTAINS INFORMATION THAT IS PROPRIETARY TO MOLEX INCORPORATED AND SHOULD NOT BE USED WITHOUT WRITTEN PERMISSION			



SCALE 10:1

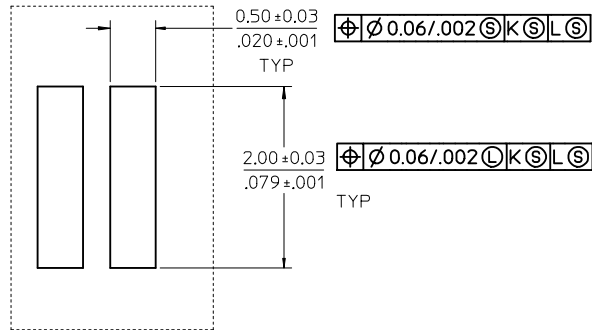
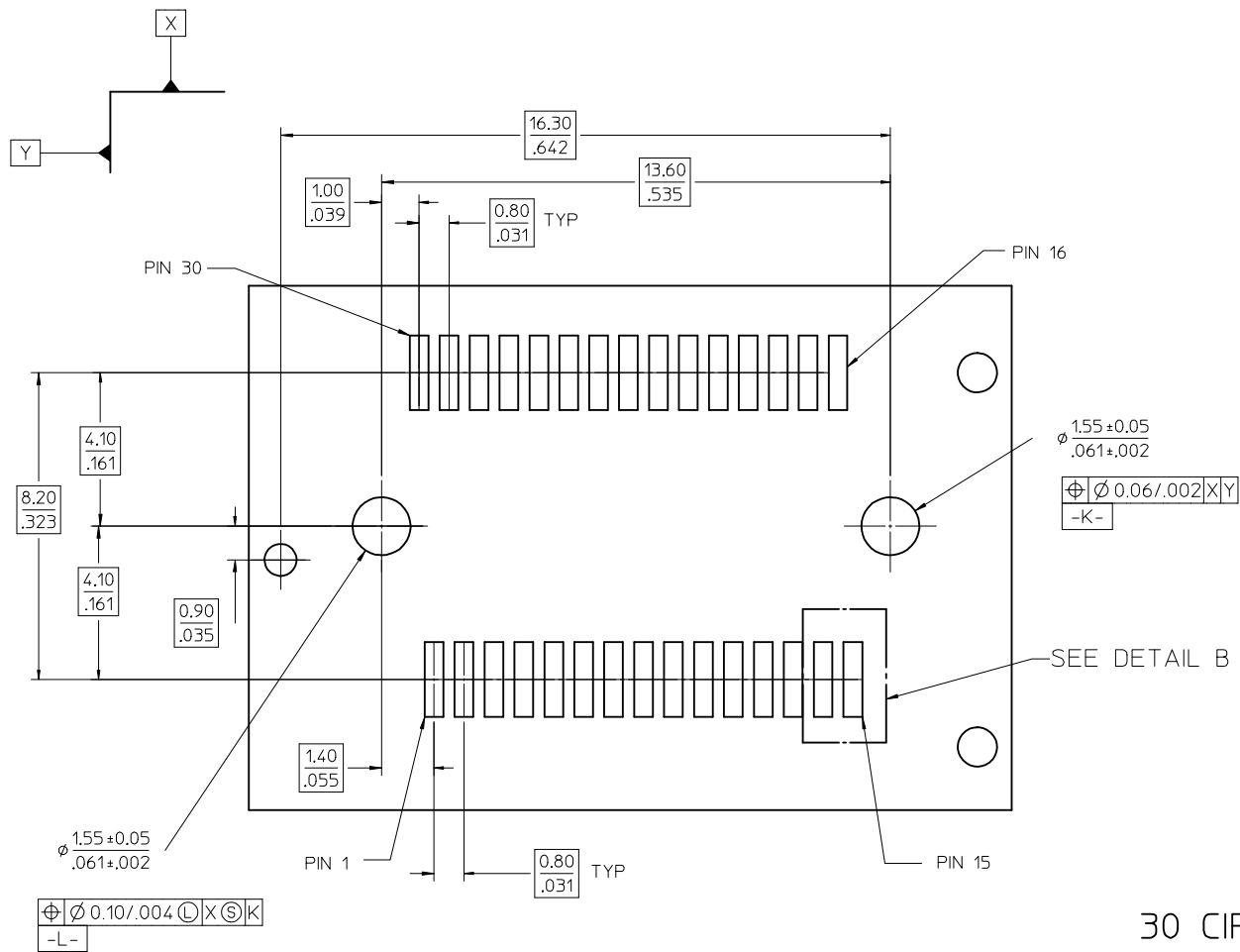


20 CIRCUIT MOTHER BOARD
RECOMMENDED PCB LAYOUT

THIS AREA DENOTES
COMPONENT KEEP-OUT
(TRACES ALLOWED)

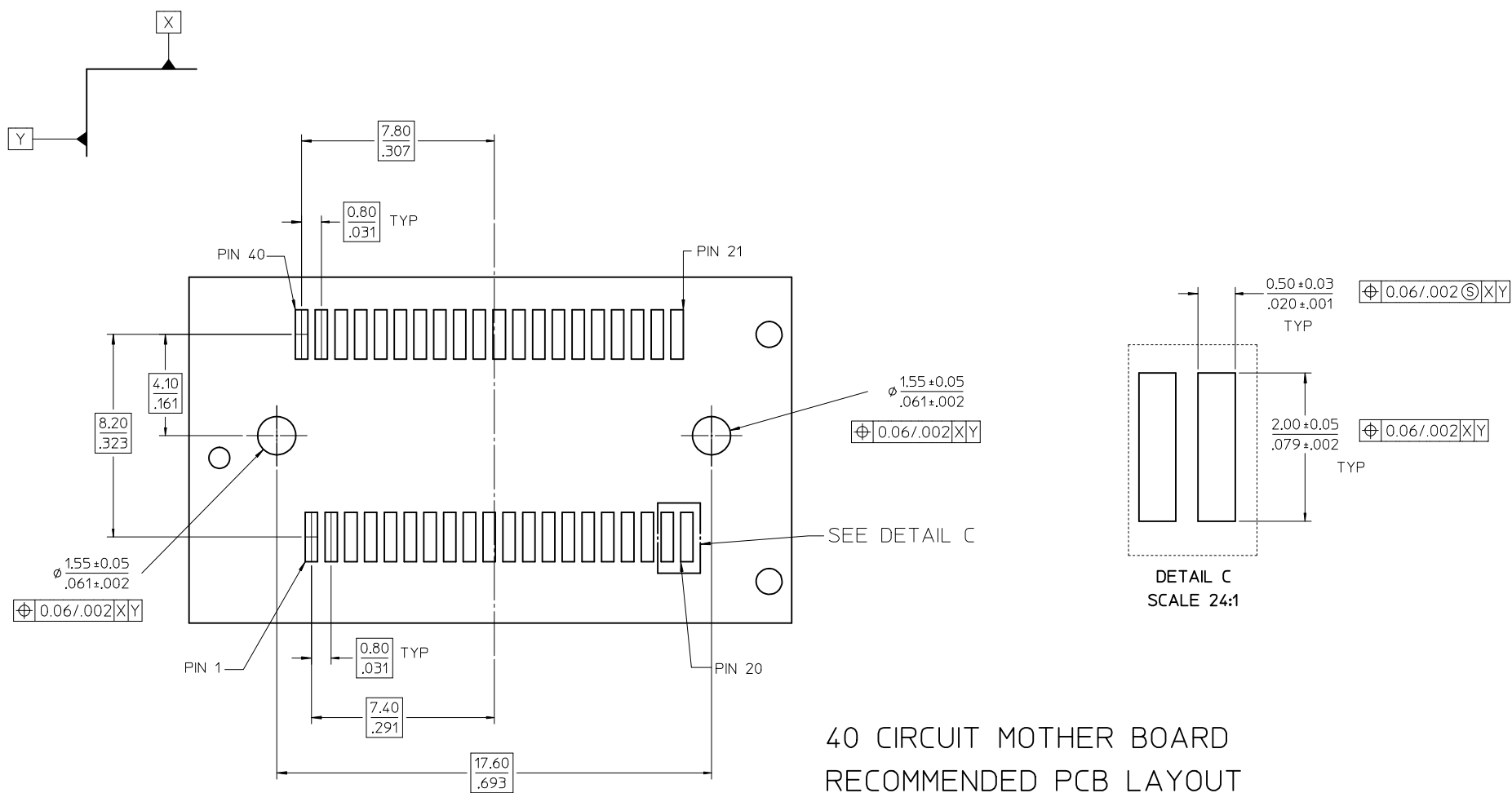
CROSS HATCHED AREA DENOTES
COMPONENT AND TRACE KEEP-OUT
(EXCEPT CHASIS GROUND)

SEE SHEET 1 EC NO: UCP2013-3493 DRWN:BBARKER 2013/02/18 CHKD: APPR:MBANAKIS 2013/04/09	QUALITY SYMBOLS	GENERAL TOLERANCES (UNLESS SPECIFIED)	DIMENSION STYLE	SCALE	DESIGN UNITS	THIRD ANGLE PROJECTION
	▽=0	mm INCH	MM/IN	8:1	METRIC	
	▽=0	4 PLACES ± --- ± ---	DRAWN BY DATE	TITLE		
	▽=0	3 PLACES ± --- ± ---	HAVERY 00/04/06	SALES ASSEMBLY		
		2 PLACES ±.13 ±.005	CHECKED BY DATE			
		1 PLACE ±.25 ±.010	KSWEENEY 00/04/06			
		0 PLACE ± ±	APPROVED BY DATE			
			MBANAKIS 00/04/06			
		ANGULAR ±1/2°	MATERIAL NO.	DOCUMENT NO.		
		DRAFT WHERE APPLICABLE MUST REMAIN WITHIN DIMENSIONS	SEE TBL, SHT 1	SD-74441-001		
			SIZE C			
			THIS DRAWING CONTAINS INFORMATION THAT IS PROPRIETARY TO MOLEX INCORPORATED AND SHOULD NOT BE USED WITHOUT WRITTEN PERMISSION			
						SHEET NO. 3 OF 7



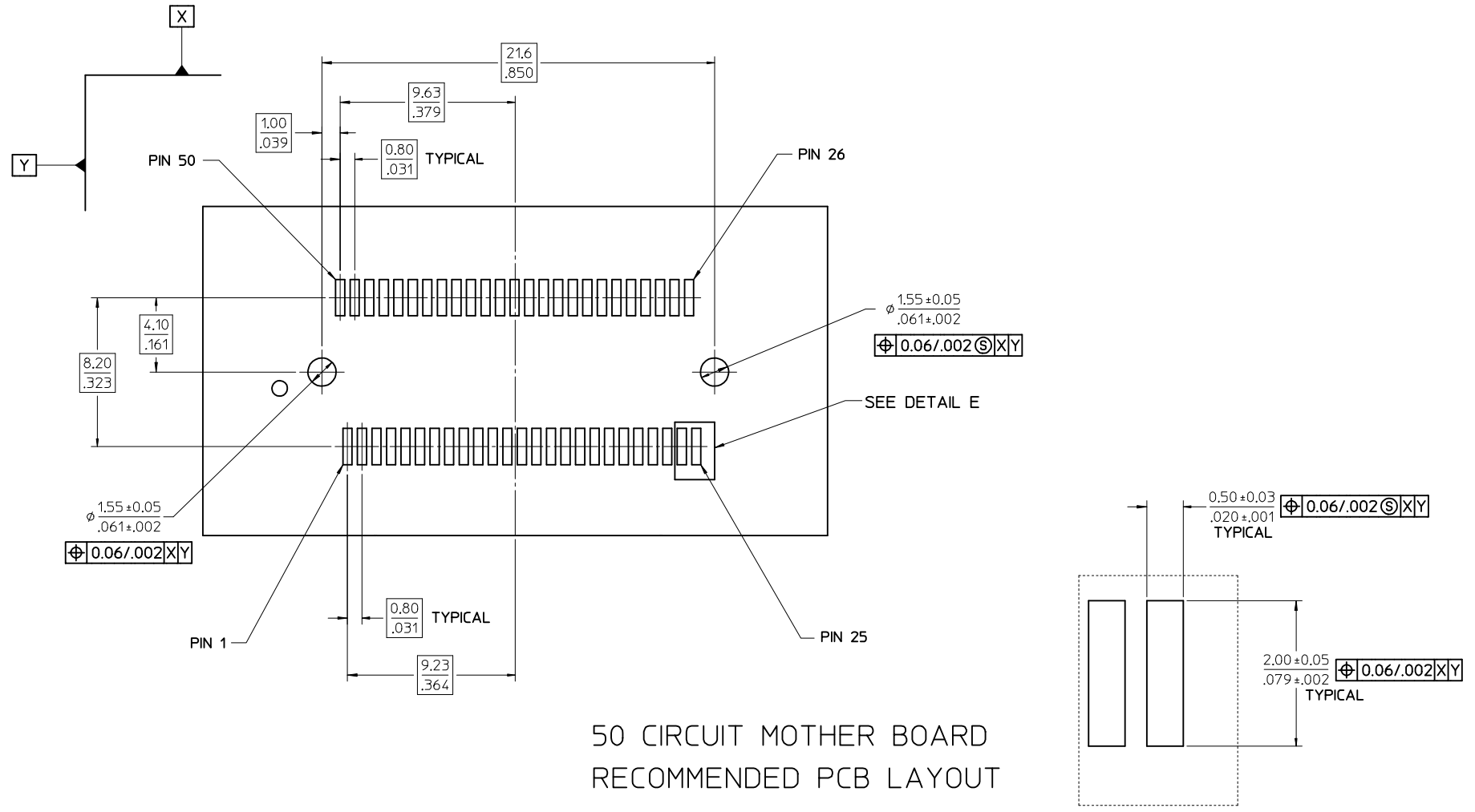
30 CIRCUIT MOTHER BOARD
RECOMMENDED PCB LAYOUT

SEE SHEET 1 EC NO: UCP2013-3493 DRWN:BBARKER 2013/02/18 CHKD: APPR:MBANAK IS 2013/04/09	QUALITY SYMBOLS	GENERAL TOLERANCES (UNLESS SPECIFIED)		DIMENSION STYLE		SCALE	DESIGN UNITS	THIRD ANGLE PROJECTION	
	▽=0	mm	INCH	MM/IN		6:1	METRIC	SALES ASSEMBLY	
	▽=0	4 PLACES ± --- ± ---	± --- ± ---	DRAWN BY	DATE	Z AXIS PLUGGABLE			
	▽=0	3 PLACES ± --- ± ---	± --- ± ---	HAVERY	00/04/06	PCB CONNECTOR			
		2 PLACES ± 0.13 ± .005	± .005	CHECKED BY	DATE	molex DOCUMENT NO. SD-74441-001 SHEET NO. 4 OF 7			
		1 PLACE ± 0.25 ± .010	± .010	APPROVED BY	DATE				
		0 PLACE ± ±	±	MBANAK IS	00/04/06				
		ANGULAR ±1/2°		MATERIAL NO.					
		DRAFT WHERE APPLICABLE MUST REMAIN WITHIN DIMENSIONS		SEE TBL, SHT 1					
				SIZE		THIS DRAWING CONTAINS INFORMATION THAT IS PROPRIETARY TO MOLEX INCORPORATED AND SHOULD NOT BE USED WITHOUT WRITTEN PERMISSION			

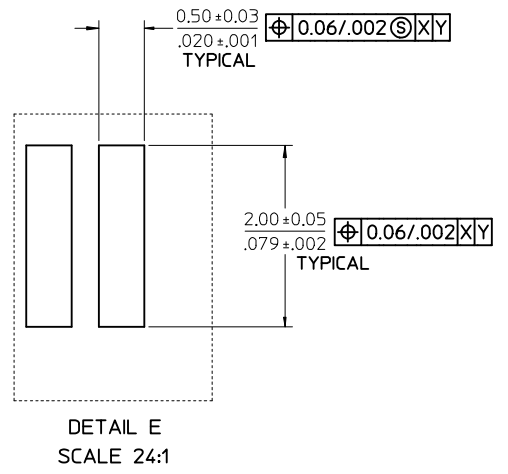


40 CIRCUIT MOTHER BOARD
RECOMMENDED PCB LAYOUT

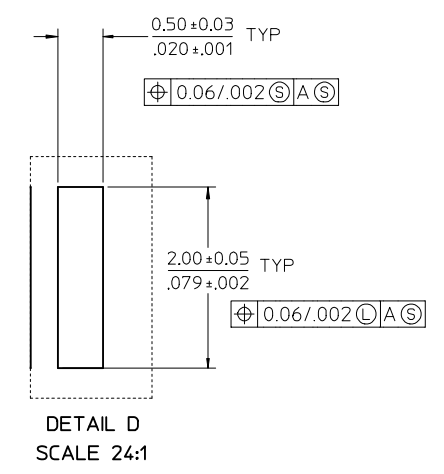
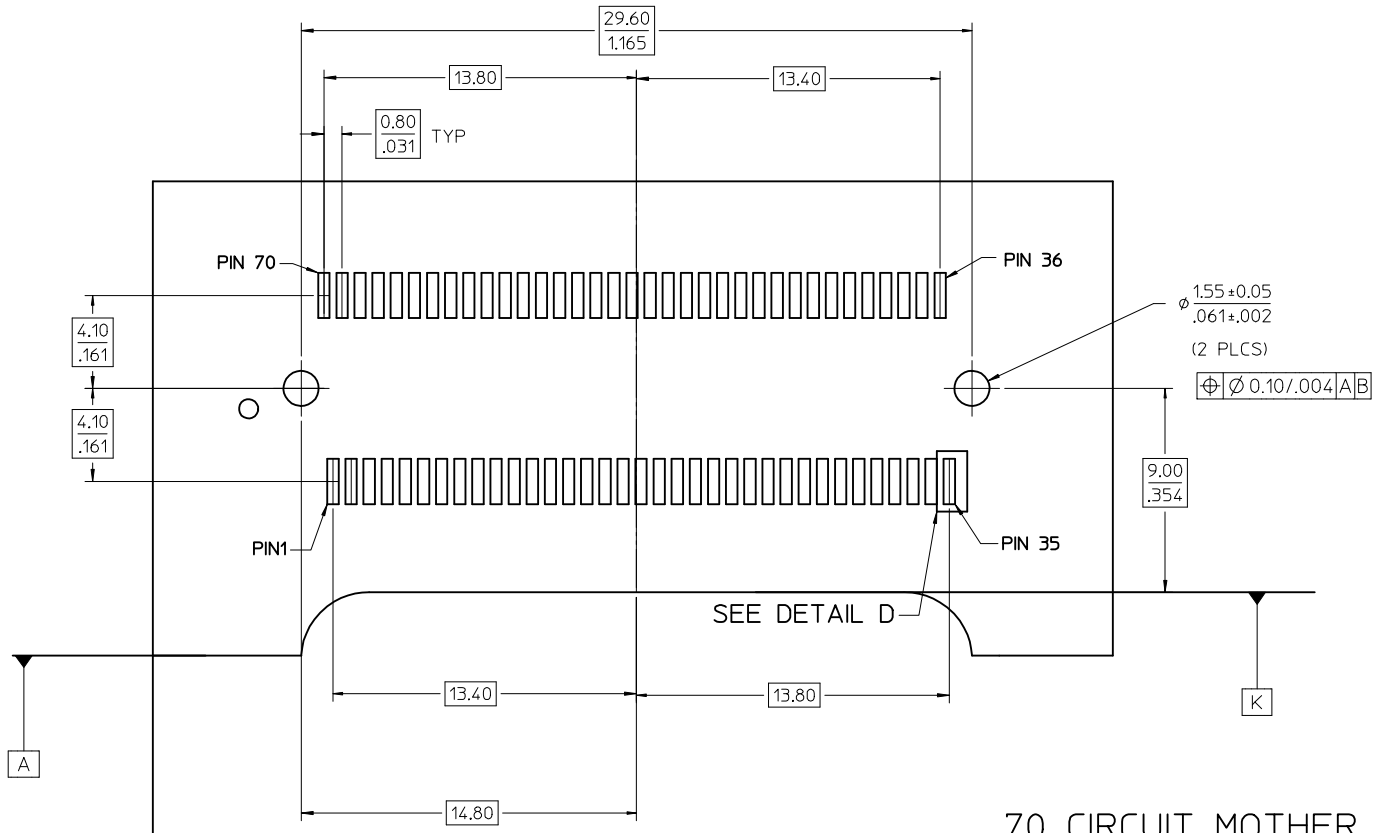
SEE SHEET 1 EC NO: UCP2013-3493 DRWN:BBARKER 2013/02/18 CHKD: APPR:MBANAKIS 2013/04/09	QUALITY SYMBOLS 	GENERAL TOLERANCES (UNLESS SPECIFIED)		DIMENSION STYLE MM/IN	SCALE 6:1	DESIGN UNITS METRIC	THIRD ANGLE PROJECTION																		
		<table border="1"> <thead> <tr> <th></th> <th>mm</th> <th>INCH</th> </tr> </thead> <tbody> <tr> <td>4 PLACES</td> <td>± .13</td> <td>± .005</td> </tr> <tr> <td>3 PLACES</td> <td>± .13</td> <td>± .005</td> </tr> <tr> <td>2 PLACES</td> <td>± 0.25</td> <td>± .010</td> </tr> <tr> <td>1 PLACE</td> <td>± 0.25</td> <td>± .010</td> </tr> <tr> <td>0 PLACE</td> <td>±</td> <td>±</td> </tr> </tbody> </table>		mm	INCH	4 PLACES	± .13	± .005	3 PLACES	± .13	± .005	2 PLACES	± 0.25	± .010	1 PLACE	± 0.25	± .010	0 PLACE	±	±	DRAWN BY HAVERY	DATE 00/04/06	TITLE SALES ASSEMBLY Z AXIS PLUGGABLE PCB CONNECTOR		
		mm	INCH																						
	4 PLACES	± .13	± .005																						
3 PLACES	± .13	± .005																							
2 PLACES	± 0.25	± .010																							
1 PLACE	± 0.25	± .010																							
0 PLACE	±	±																							
	CHECKED BY KSWEENEY	DATE 00/04/06	molex																						
	APPROVED BY MBANAKIS	DATE 00/04/06	MATERIAL NO. SEE TBL, SHT 1	DOCUMENT NO. SD-74441-001	SHEET NO. 5 OF 7																				
DRAFT WHERE APPLICABLE MUST REMAIN WITHIN DIMENSIONS		THIS DRAWING CONTAINS INFORMATION THAT IS PROPRIETARY TO MOLEX INCORPORATED AND SHOULD NOT BE USED WITHOUT WRITTEN PERMISSION																							



50 CIRCUIT MOTHER BOARD
RECOMMENDED PCB LAYOUT



SEE SHEET 1 IEC NO: UCP2013-3493 DRWN:BBARKER 2013/02/18 CHKD: APPR:MBANAKIS 2013/04/09	QUALITY SYMBOLS	GENERAL TOLERANCES (UNLESS SPECIFIED)	DIMENSION STYLE	SCALE	DESIGN UNITS	THIRD ANGLE PROJECTION
	▽=0	4 PLACES ± --- ± ---	MM/IN	6:1	METRIC	☉
	▽=0	3 PLACES ± 0.13 ± .005	mm INCH	DRAWN BY DATE	TITLE	
	▽=0	2 PLACES ± 0.25 ± .010	mm INCH	HAVERY 00/04/06	SALES ASSEMBLY	
		1 PLACE ± .010		CHECKED BY DATE	Z AXIS PLUGGABLE	
		0 PLACE ± ±		APPROVED BY DATE	PCB CONNECTOR	
		ANGULAR ±1/2°		MATERIAL NO.	DOCUMENT NO.	SHEET NO.
		DRAFT WHERE APPLICABLE MUST REMAIN WITHIN DIMENSIONS		SEE TBL, SHT 1	SD-74441-001	6 OF 7
			SIZE	THIS DRAWING CONTAINS INFORMATION THAT IS PROPRIETARY TO MOLEX INCORPORATED AND SHOULD NOT BE USED WITHOUT WRITTEN PERMISSION		



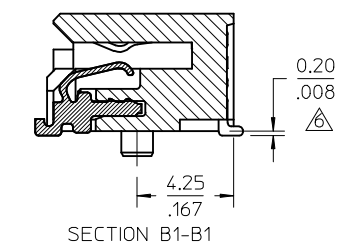
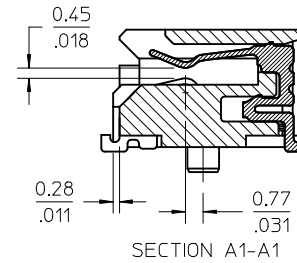
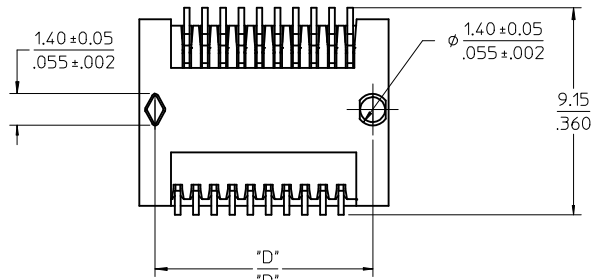
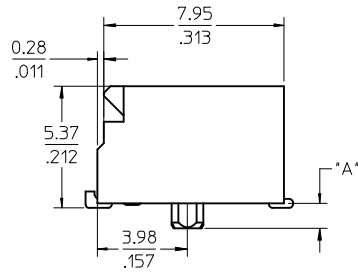
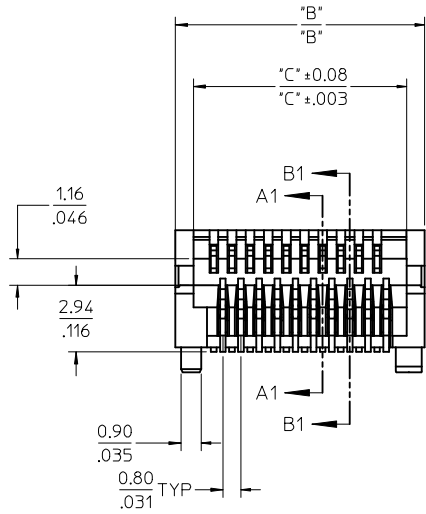
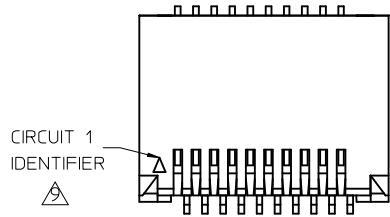
70 CIRCUIT MOTHER BOARD
RECOMMENDED PCB LAYOUT

SEE SHEET 1 EC NO: UCP2013-3493 DRWN:BBARKER 2013/02/18 CHKD: APPR:MBANAKIS 2013/04/09 REVISIONS	QUALITY SYMBOLS	GENERAL TOLERANCES (UNLESS SPECIFIED)	DIMENSION STYLE	SCALE	DESIGN UNITS	THIRD ANGLE PROJECTION
	▽=0	mm INCH	MM/IN	6:1	METRIC	☉
	▽=0	4 PLACES ± --- ± ---	DRAWN BY DATE			
	▽=0	3 PLACES ± --- ± ---	HAVERY 00/04/06			
	2 PLACES ± 0.13 ± .005	CHECKED BY DATE				SALES ASSEMBLY Z AXIS PLUGGABLE PCB CONNECTOR
	1 PLACE ± 0.25 ± .010	KSWEENEY 00/04/06				
	0 PLACE ± ±	APPROVED BY DATE				molex
	ANGULAR ±1/2°	MBANAKIS 00/04/06				
	DRAFT WHERE APPLICABLE MUST REMAIN WITHIN DIMENSIONS	MATERIAL NO.	SEE TBL, SHT 1	DOCUMENT NO.	SD-74441-001	SHEET NO. 7 OF 7
		SIZE	C	THIS DRAWING CONTAINS INFORMATION THAT IS PROPRIETARY TO MOLEX INCORPORATED AND SHOULD NOT BE USED WITHOUT WRITTEN PERMISSION		

CKT SIZE	PART NUMBER	DESCRIPTION	"A"	"B"	"C"	"D"
20	74441-9001	PLATED PER NOTE 2	1.10/.043	11.00/.433	9.40/.378	9.60/.378
20	74441-9010	PLATED PER NOTE 3	1.10/.043	11.00/.433	9.40/.378	9.60/.378
30	74441-9007	PLATED PER NOTE 2	1.10/.043	15.00/.591	13.40/.528	13.60/.535
40	74441-9005	PLATED PER NOTE 2	1.10/.043	19.00/.748	17.40/.685	17.60/.693
70	74441-9003	PLATED PER NOTE 2	1.10/.043	31.00/1.220	29.40/1.517	29.60/1.165

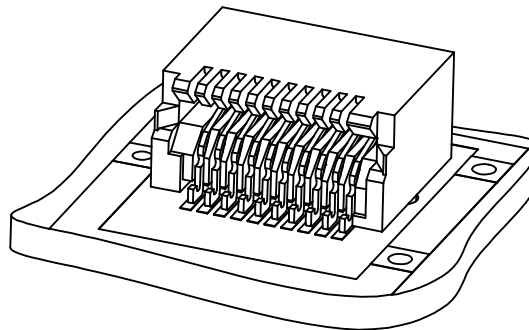
NOTES

- MATERIAL:
HOUSING - HIGH TEMPERATURE THERMOPLASTIC GLASS FILLED, UL 94V-0, BLACK
TERMINALS - COPPER ALLOY
 - PLATING:
CONTACT AREA - 0.38 μ m MIN GOLD OVER 2.54 μ m MIN NICKEL
SOLDER FOOT AREA - 2.54 - 5.09 μ m TIN OVER 2.54 μ m MIN NICKEL.
 - PLATING:
CONTACT AREA - 0.76 μ m MIN GOLD OVER 2.54 μ m NICKEL
SOLDER AREA - 2.54 - 5.09 μ m TIN OVER 2.54 μ m MIN NICKEL
 - PLATING:
CONTACT AREA - 0.76 μ m MIN GOLD OVER 2.54 μ m NICKEL, LUBRICATED
SOLDER AREA: GOLD FLASH OVER 2.54 μ m MIN NICKEL.
 - PLATING:
CONTACT AREA - 0.76 μ m MIN GOLD OVER 2.54 μ m NICKEL,
SOLDER AREA: GOLD FLASH OVER 2.54 μ m MIN NICKEL.
- ⚠ TERMINAL SOLDER FEET TO BE COPLANAR WITHIN 0.10/.004 FOR 20, 30 AND 40 CIRCUIT CONNECTORS
TERMINAL SOLDER FEET TO BE COPLANAR WITHIN 0.15/.006 FOR 70 CIRCUIT CONNECTOR
- * CONTACT PLANT FOR MORE INFORMATION
 - DATE CODE: 4 DIGIT (3 DIGIT DATE, 1 DIGIT YEAR)
 - ⚠ CIRCUIT 1 IDENTIFIER LOCATED ON ALL PART NUMBERS



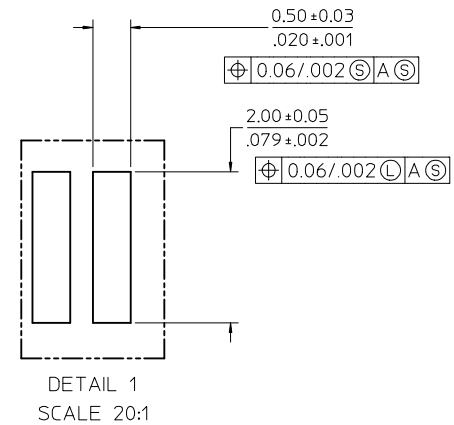
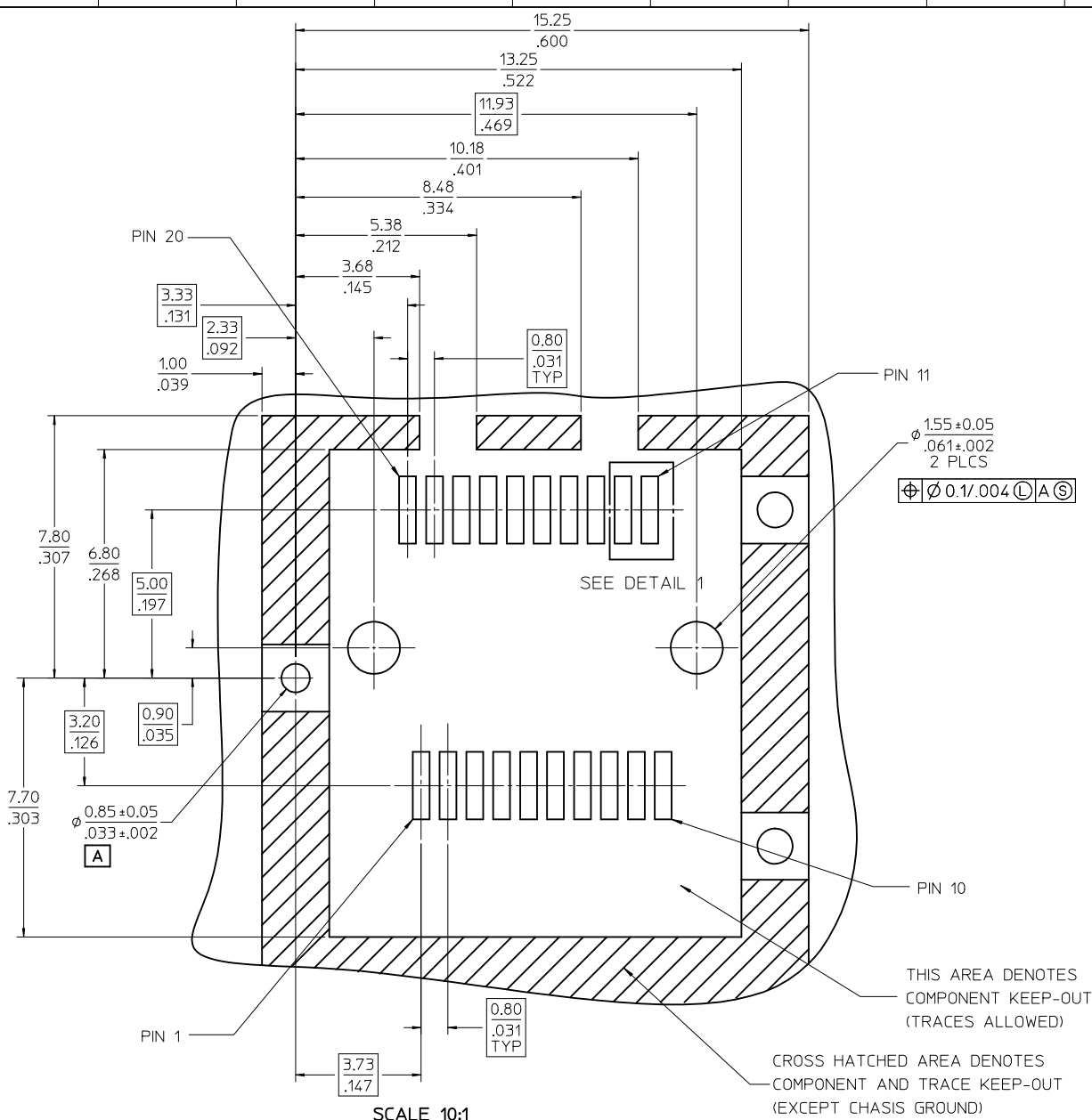
INITIAL RELEASE EC NO: UCP2010-0714 DRWN:MS IBARRA 2009/09/16 CHKD:BBARKER 2009/09/24 APPR:SMILLER 2009/09/24	DESCRIPTION	QUALITY SYMBOLS	GENERAL TOLERANCES (UNLESS SPECIFIED)	DIMENSION STYLE	SCALE	DESIGN UNITS	THIRD ANGLE PROJECTION													
		$\nabla = 0$ $\nabla = 0$ $\nabla = 0$	<table border="1"> <tr> <th></th> <th>mm</th> <th>INCH</th> </tr> <tr> <td>4 PLACES</td> <td>± ---</td> <td>± ---</td> </tr> <tr> <td>3 PLACES</td> <td>± ---</td> <td>± ---</td> </tr> <tr> <td>2 PLACES</td> <td>± ---</td> <td>± ---</td> </tr> <tr> <td>1 PLACE</td> <td>± ---</td> <td>± ---</td> </tr> </table>		mm	INCH	4 PLACES	± ---	± ---	3 PLACES	± ---	± ---	2 PLACES	± ---	± ---	1 PLACE	± ---	± ---	MM/IN	6:1
	mm	INCH																		
4 PLACES	± ---	± ---																		
3 PLACES	± ---	± ---																		
2 PLACES	± ---	± ---																		
1 PLACE	± ---	± ---																		
REV A			ANGULAR ± 1/2°	DRAWN BY MS IBARRA DATE 2009/09/16	TITLE SALES ASSEMBLY- LEADFREE Z AXIS PLUGGABLE PCB CONNECTOR															
			DRAFT WHERE APPLICABLE MUST REMAIN WITHIN DIMENSIONS	CHECKED BY BBARKER DATE 2009/09/16	MOLEX INCORPORATED															
				APPROVED BY SMILLER DATE 2009/09/16	DOCUMENT NO. SD-74441-004 SHEET NO. 1 OF 6															
				MATERIAL NO. SEE TABLE	THIS DRAWING CONTAINS INFORMATION THAT IS PROPRIETARY TO MOLEX INCORPORATED AND SHOULD NOT BE USED WITHOUT WRITTEN PERMISSION															

SALES ASSEMBLY DRAWINGS FOR SMALL FORM-FACTOR AND Z AXIS PLUGGABLE CONNECTORS



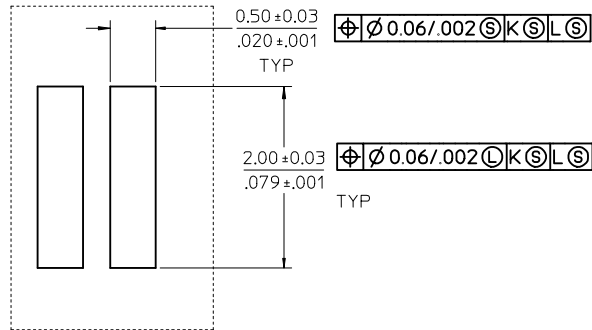
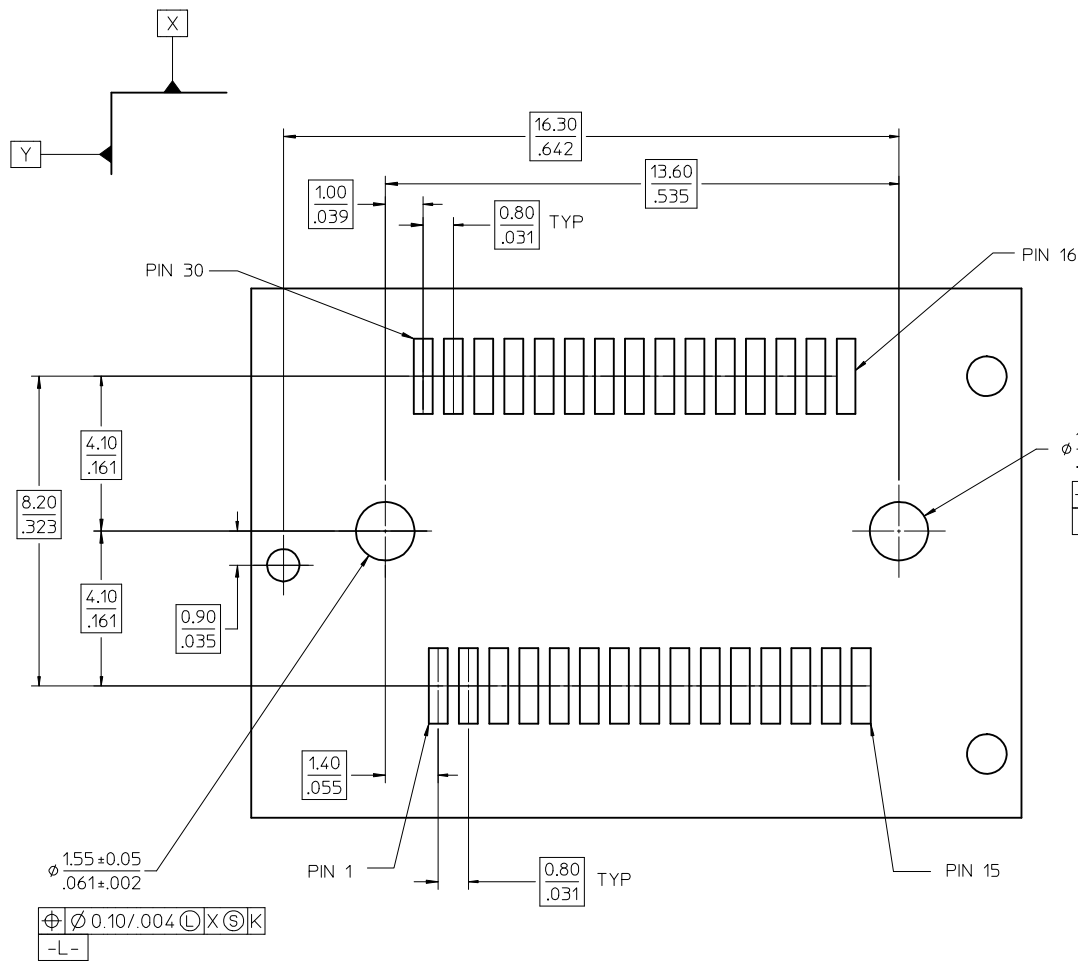
CIRCUIT SIZE	MSA	CONNECTOR DRAWING	CIRCUIT BOARD DRAWING
20	SFP	PAGE 2	PAGE 3
30	XFP	PAGE 2	PAGE 4
40		PAGE 2	PAGE 5
70	XENPAK XPAK X2	PAGE 2	PAGE 6

INITIAL RELEASE EC NO: UCP2010-0714 DRW:MSIBARRA 2009/09/16 CHKD:BBARKER 2009/09/24 APPR:SMILLER 2009/09/24	QUALITY SYMBOLS ▽=0 ▽=0 ▽=0	GENERAL TOLERANCES (UNLESS SPECIFIED)		DIMENSION STYLE MM/IN		SCALE 1:1	DESIGN UNITS METRIC	THIRD ANGLE PROJECTION		
		4 PLACES	± ---	± ---	DRAWN BY	DATE	TITLE SALES ASSEMBLY- LEADFREE Z AXIS PLUGGABLE PCB CONNECTOR			
		3 PLACES	± ---	± ---	MSIBARRA	2009/09/16				
		2 PLACES	± ---	± ---	CHECKED BY	DATE	MOLEX INCORPORATED DOCUMENT NO. SD-74441-004			
1 PLACE	± ---	± ---	BBARKER	2009/09/16						
		ANGULAR ±1/2°		APPROVED BY	DATE	SHEET NO. 2 OF 6				
				SMILLER	2009/09/16					
		DRAFT WHERE APPLICABLE MUST REMAIN WITHIN DIMENSIONS		SEE TABLE						
				SIZE	THIS DRAWING CONTAINS INFORMATION THAT IS PROPRIETARY TO MOLEX INCORPORATED AND SHOULD NOT BE USED WITHOUT WRITTEN PERMISSION					



20 CIRCUIT MOTHER BOARD
RECOMMENDED PCB LAYOUT

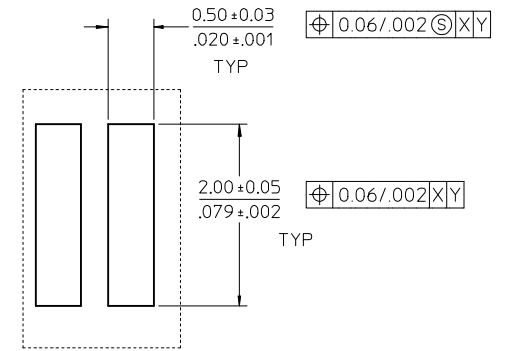
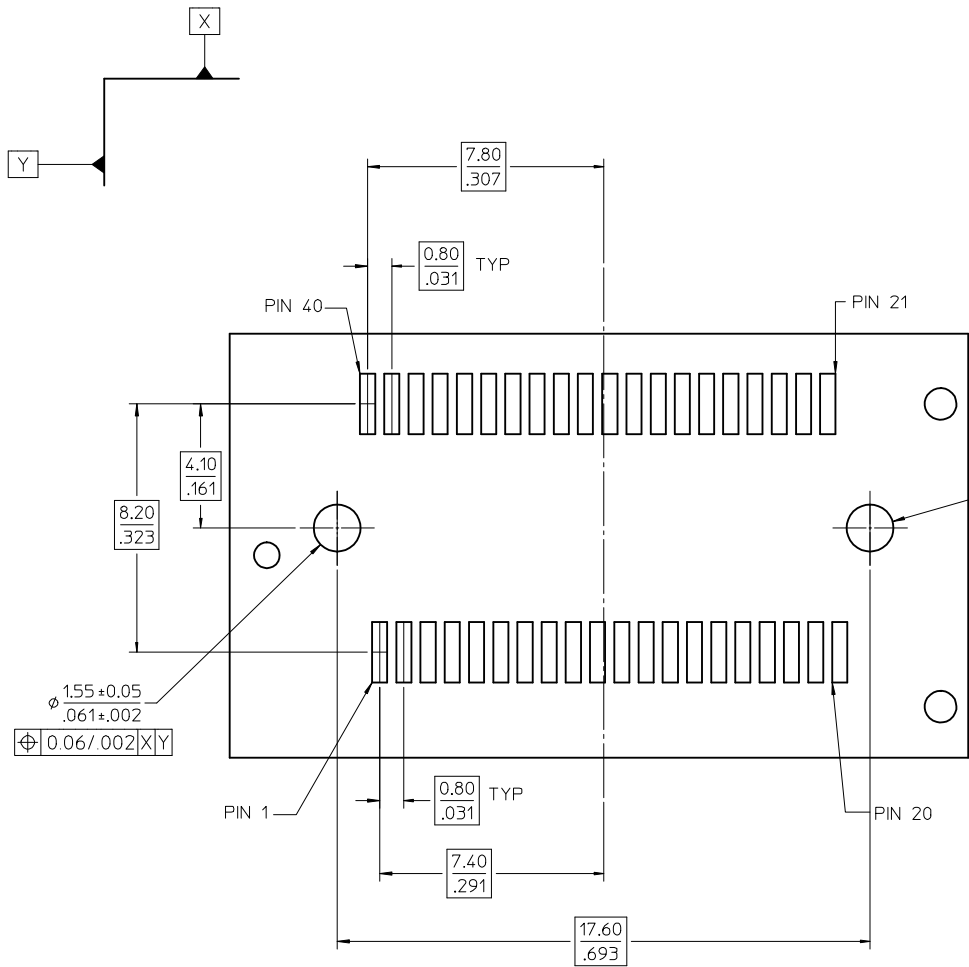
INITIAL RELEASE EC NO: UCP2010-0714 DRW:MSI BARRA 2009/09/16 CHKD:BBARKER 2009/09/16 APPR:SMILLER 2009/09/16	QUALITY SYMBOLS ▽=0 ▽=0 ▽=0	GENERAL TOLERANCES (UNLESS SPECIFIED)		DIMENSION STYLE MM/IN	SCALE 8:1	DESIGN UNITS METRIC	THIRD ANGLE PROJECTION	
		4 PLACES ± --- ± ---	DRAWN BY MSI BARRA	DATE 2009/09/16	TITLE SALES ASSEMBLY- LEADFREE Z AXIS PLUGGABLE PCB CONNECTOR			
		3 PLACES ± --- ± ---	CHECKED BY BBARKER	DATE 2009/09/16	MOLEX INCORPORATED			
		2 PLACES ± --- ± ---	APPROVED BY SMILLER	DATE 2009/09/16	DOCUMENT NO. SD-74441-004			
1 PLACE ± --- ± ---	ANGULAR ±1/2°	MATERIAL NO. SEE TABLE	SHEET NO. 3 OF 6					
DRAFT WHERE APPLICABLE MUST REMAIN WITHIN DIMENSIONS		SIZE C	THIS DRAWING CONTAINS INFORMATION THAT IS PROPRIETARY TO MOLEX INCORPORATED AND SHOULD NOT BE USED WITHOUT WRITTEN PERMISSION					



DETAIL B
SCALE 24:1

30 CIRCUIT MOTHER BOARD RECOMMENDED PCB LAYOUT

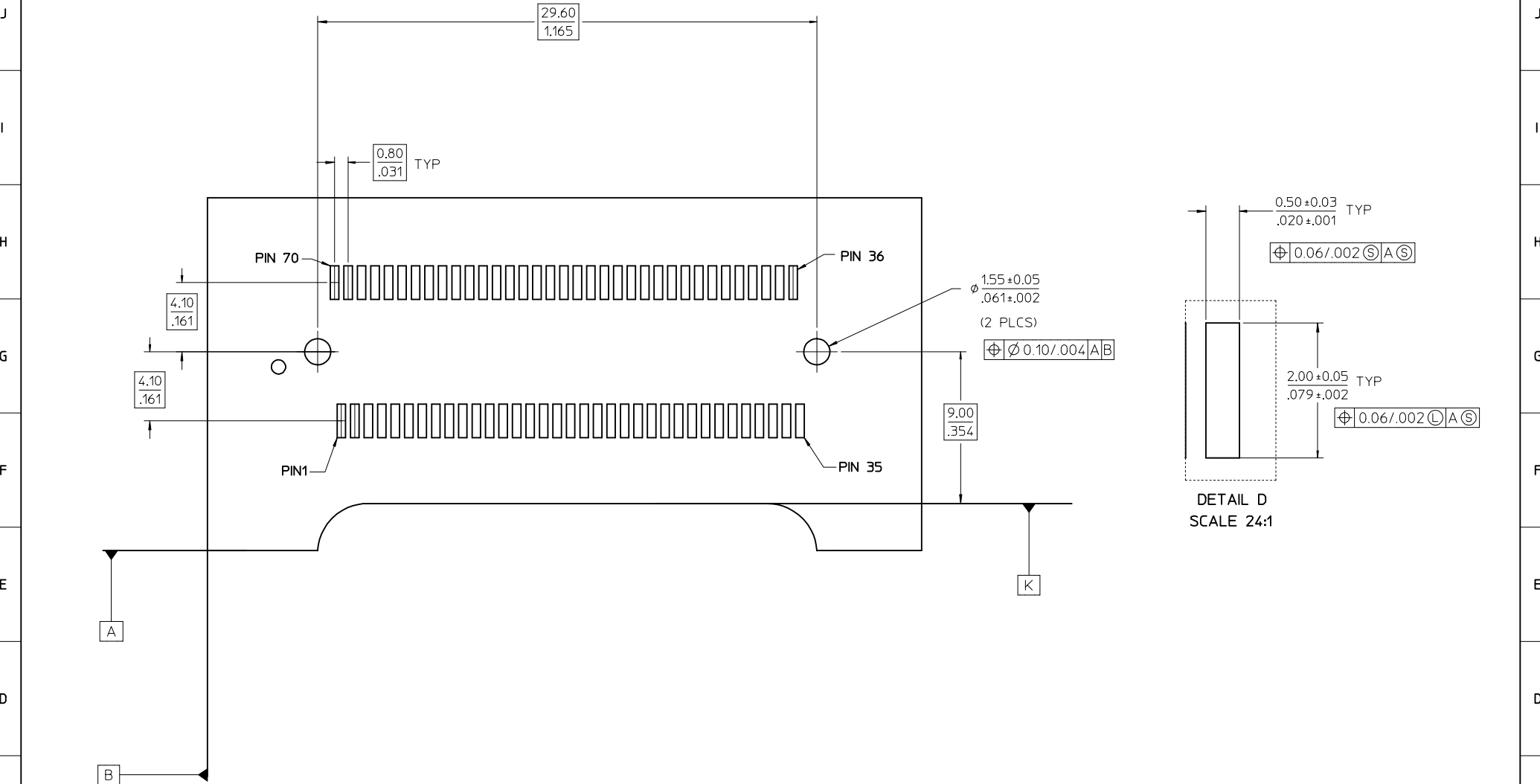
INITIAL RELEASE EC NO: UCP2010-0714 DRWN:MS IBARRA 2009/09/16 CHYK:BBARKER 2009/09/24 APPR:SMILLER 2009/09/24	QUALITY SYMBOLS ▽=0 ▽=0 ▽=0	GENERAL TOLERANCES (UNLESS SPECIFIED)		DIMENSION STYLE MM/IN	SCALE 6:1	DESIGN UNITS METRIC	THIRD ANGLE PROJECTION		
		4 PLACES ± --- ± ---	3 PLACES ± --- ± ---	2 PLACES ± --- ± ---	1 PLACE ± --- ± ---	DRAWN BY MS IBARRA	DATE 2009/09/16	TITLE SALES ASSEMBLY- LEADFREE Z AXIS PLUGGABLE PCB CONNECTOR	
		ANGULAR ±1/2°				CHECKED BY BBARKER	DATE 2009/09/16	MOLEX MOLEX INCORPORATED	
		DRAFT WHERE APPLICABLE MUST REMAIN WITHIN DIMENSIONS				APPROVED BY SMILLER	DATE 2009/09/16	MATERIAL NO. SEE TABLE	DOCUMENT NO. SD-74441-004
REV A	DESCRIPTION	SIZE C		THIS DRAWING CONTAINS INFORMATION THAT IS PROPRIETARY TO MOLEX INCORPORATED AND SHOULD NOT BE USED WITHOUT WRITTEN PERMISSION				SHEET NO. 4 OF 6	



DETAIL C
SCALE 24:1

40 CIRCUIT MOTHER BOARD
RECOMMENDED PCB LAYOUT

INITIAL RELEASE EC NO: UCP2010-0714 DRWN:MSIBARRA 2009/09/16 CHKD:BBARKER 2009/09/24 APPR:SMILLER 2009/09/24	QUALITY SYMBOLS ▽=0 ▽=0 ▽=0	GENERAL TOLERANCES (UNLESS SPECIFIED)		DIMENSION STYLE MM/IN	SCALE 6:1	DESIGN UNITS METRIC	THIRD ANGLE PROJECTION	
		4 PLACES ± --- ± ---	3 PLACES ± --- ± ---	DRAWN BY MSIBARRA	DATE 2009/09/16	TITLE SALES ASSEMBLY- LEADFREE Z AXIS PLUGGABLE PCB CONNECTOR		
		2 PLACES ± --- ± ---	1 PLACE ± --- ± ---	CHECKED BY BBARKER	DATE 2009/09/16	MOLEX INCORPORATED		
		ANGULAR ±1/2°		APPROVED BY SMILLER	DATE 2009/09/16	DOCUMENT NO. SD-74441-004		
A	REV	DRAFT WHERE APPLICABLE MUST REMAIN WITHIN DIMENSIONS		SIZE C	THIS DRAWING CONTAINS INFORMATION THAT IS PROPRIETARY TO MOLEX INCORPORATED AND SHOULD NOT BE USED WITHOUT WRITTEN PERMISSION			
				SEE TABLE		SHEET NO. 5 OF 6		



70 CIRCUIT MOTHER BOARD
RECOMMENDED PCB LAYOUT

INITIAL RELEASE EC NO: UCP2010-0714 DRW:MSI BARRA 2009/09/16 CHK:DBARKER 2009/09/24 APPR:SMILLER 2009/09/24	DESCRIPTION REV: A	QUALITY SYMBOLS	GENERAL TOLERANCES (UNLESS SPECIFIED)	DIMENSION STYLE	SCALE	DESIGN UNITS	THIRD ANGLE PROJECTION	
		▽=0	mm INCH	MM/IN	6:1	METRIC	☉	
		▽=0	4 PLACES ± --- ± ---	DRAWN BY DATE	TITLE			
		▽=0	3 PLACES ± --- ± ---	MSI BARRA 2009/09/16	SALES ASSEMBLY- LEADFREE Z AXIS PLUGGABLE PCB CONNECTOR			
		ANGULAR ±1/2°	2 PLACES ± --- ± ---	CHECKED BY DATE	MOLEX INCORPORATED			
			1 PLACE ± --- ± ---	BBARKER 2009/09/16	DOCUMENT NO. SD-74441-004			
				APPROVED BY DATE	SHEET NO. 6 OF 6			
				SMILLER 2009/09/16	THIS DRAWING CONTAINS INFORMATION THAT IS PROPRIETARY TO MOLEX INCORPORATED AND SHOULD NOT BE USED WITHOUT WRITTEN PERMISSION			