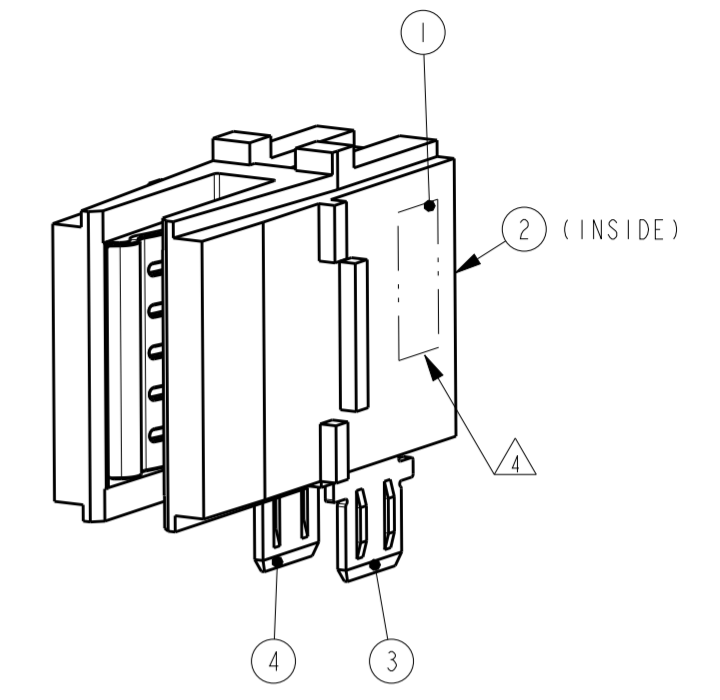
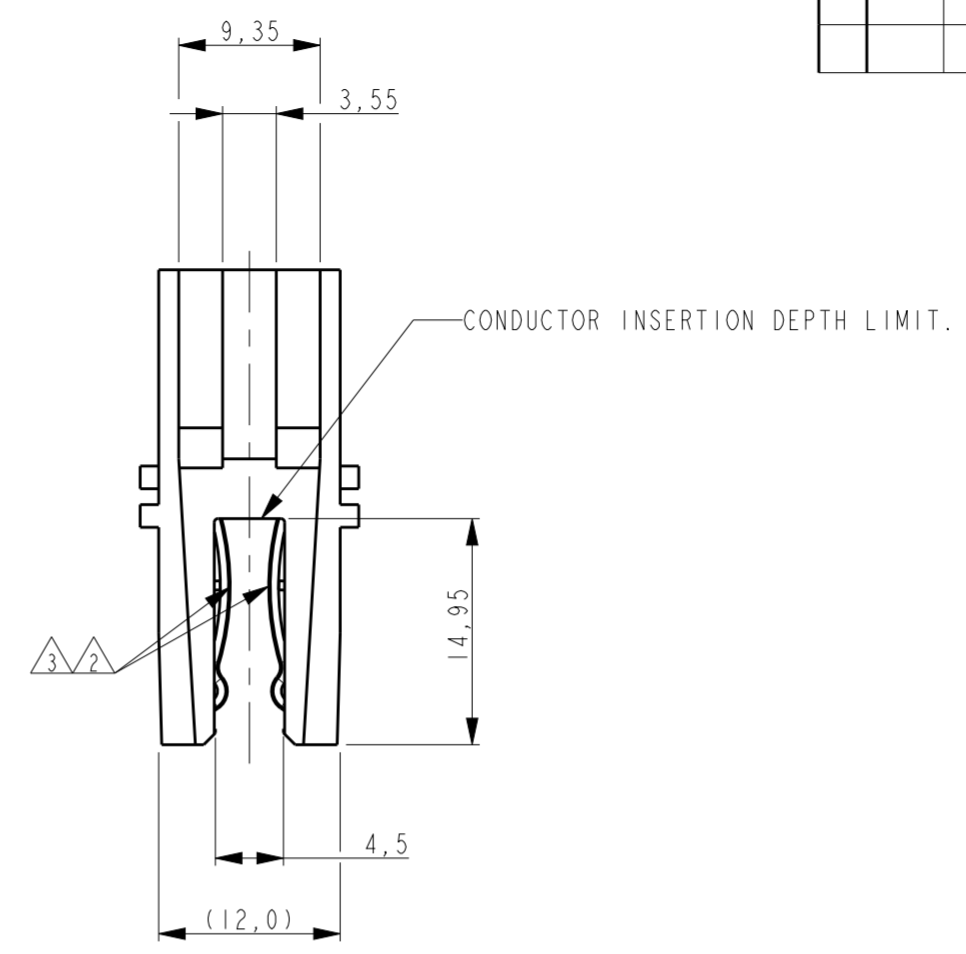
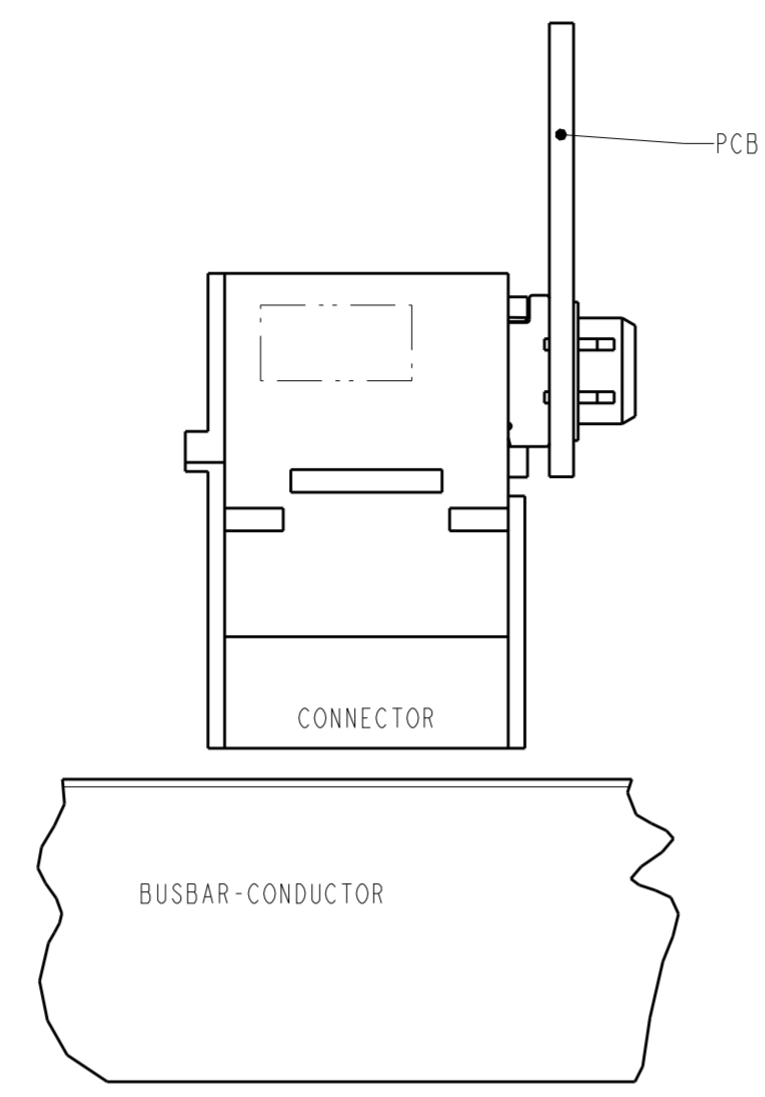
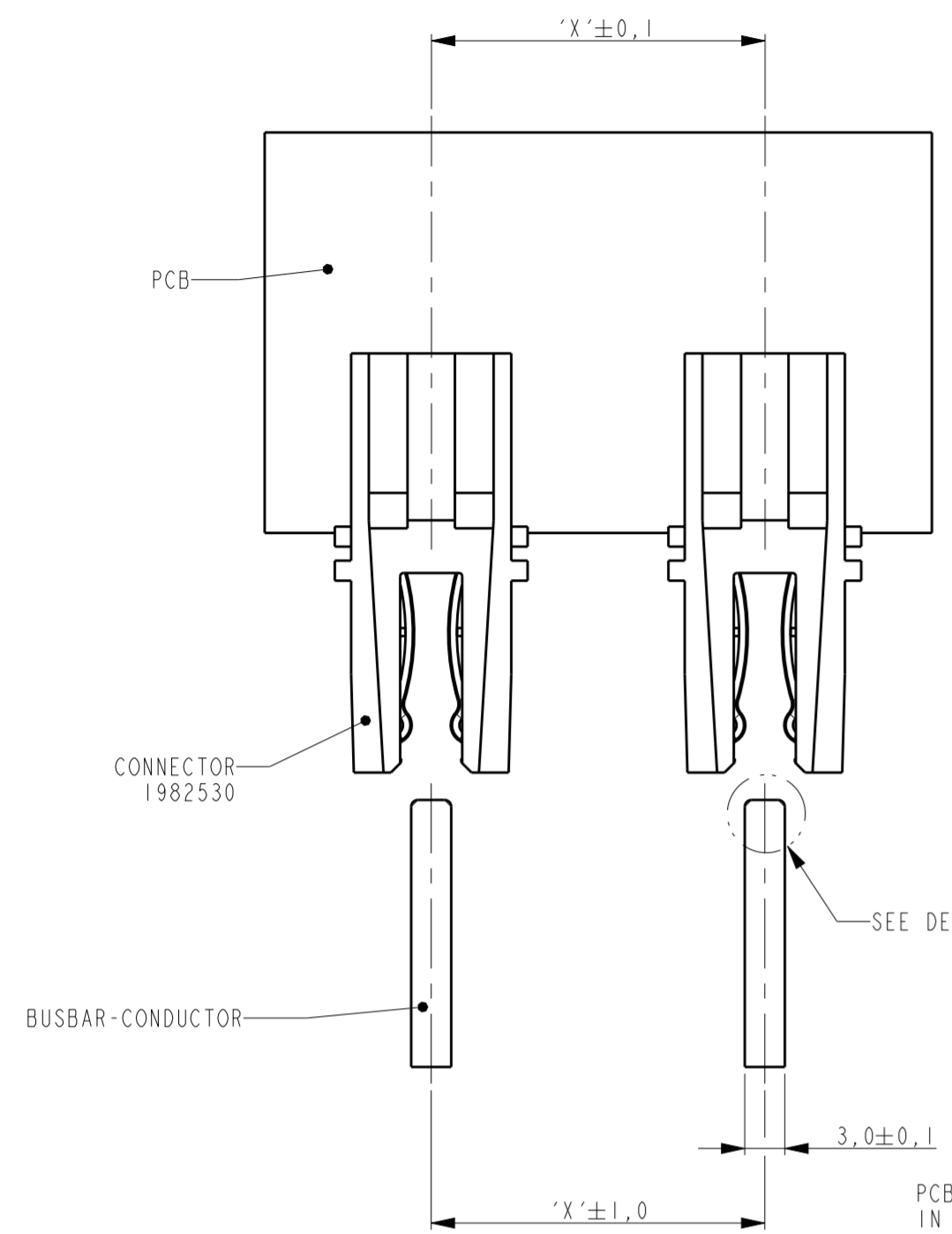
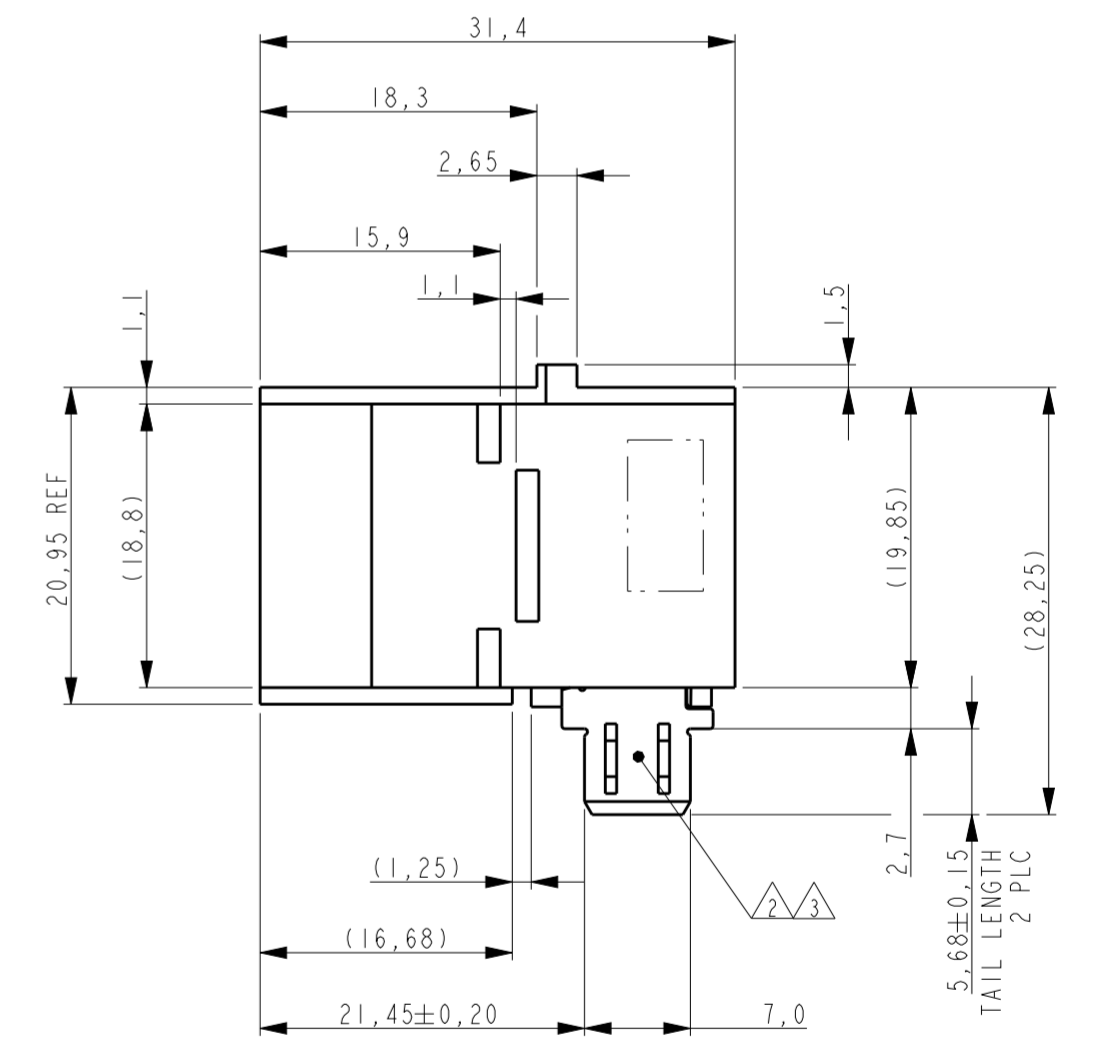
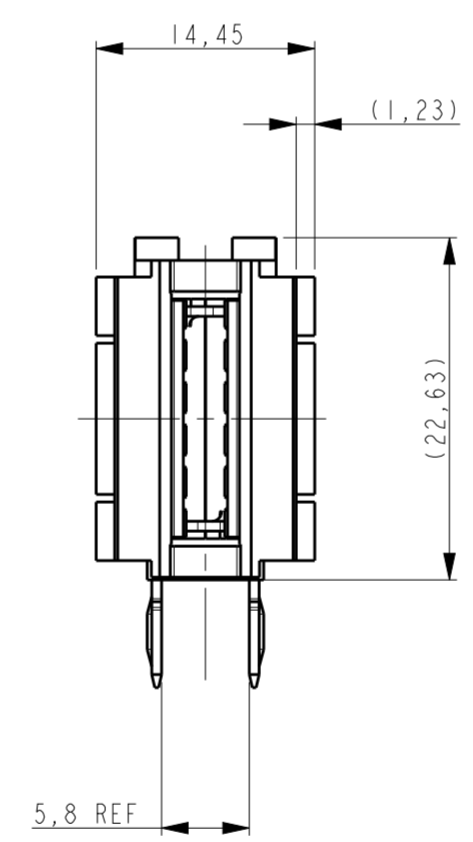


THIS DRAWING IS UNPUBLISHED. RELEASED FOR PUBLICATION
 © COPYRIGHT - BY - ALL RIGHTS RESERVED.

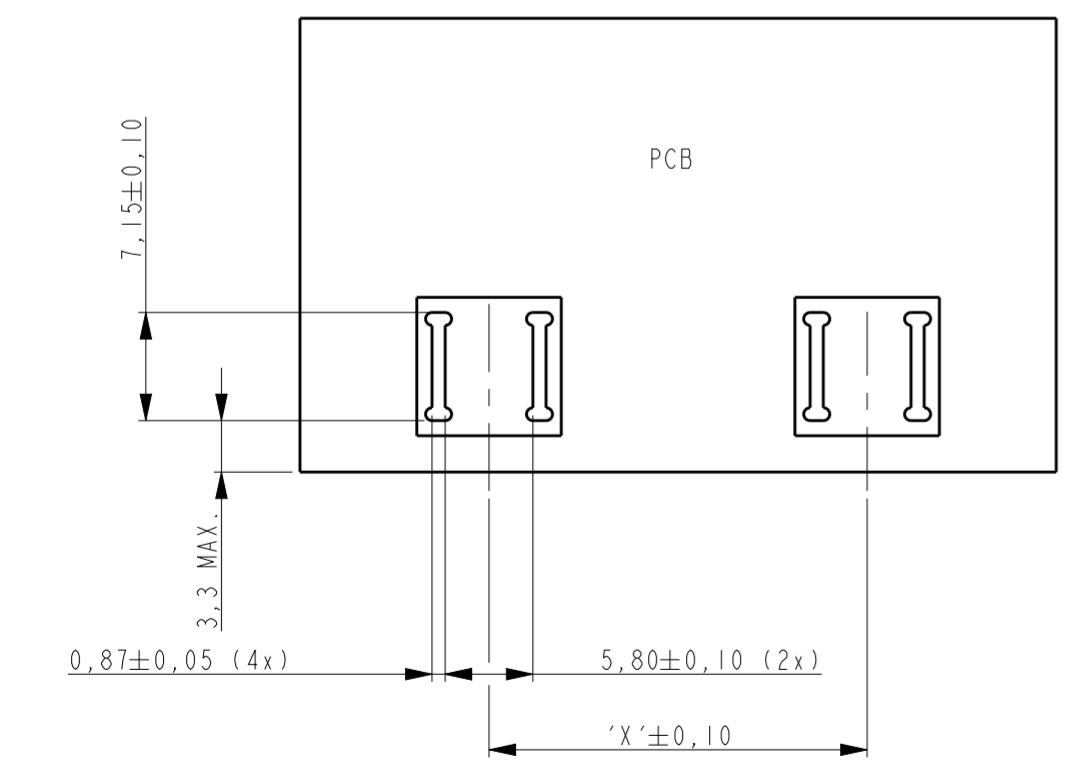
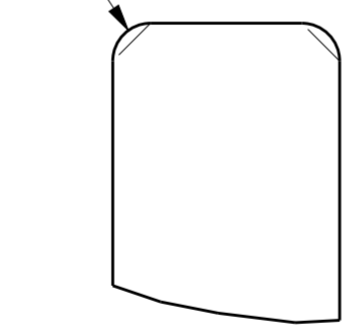
REVISIONS					
P	LTR	DESCRIPTION	DATE	DWN	APVD
A5		REV PER ECR-15-005882	20APR2015	ML	SZ



PCB AND BUSBAR-CONDUCTORS, IN THESE VIEWS ARE SHOWN FOR REFERENCE ONLY.



RADIUSED OR CHAMFERED EDGE ON BUSBAR-CONDUCTOR RECOMMENDED



RECOMMENDED PCB LAY-OUT
THICKNESS: 4,8mm MAX

- NOTES:
- 1 PCB MUST BE SUPPORTED WHILE INSERTING THE CONNECTOR IN THE SLOTS TO AVOID BENDING OF THE BOARD.
 - △ PLATING: 1,2µm MIN. NICKEL UNDERLAYER ALLOVER.
 - △ 3,0µm MIN. TIN IN INDICATED AREA'S.
 - △ AREA FOR DATE-CODE.
 - △ MATERIAL:
POWER CONTACT: HIGH CONDUCTIVITY COPPER ALLOY.
HOUSING: THERMOPLASTIC, BLACK, UL94 V-0.

ITEM NO.	DESCRIPTION	MATERIAL	FINISH	QTY.
4	CONTACT LEFT	COPPER ALLOY	△△	1
3	CONTACT RIGHT	COPPER ALLOY	△△	1
2	CLIP	STAINLESS STEEL	-	1
1	HOUSING	PBT	BLACK	1

THIS DRAWING IS A CONTROLLED DOCUMENT.

DWN RAVINDRA K 07DEC10	1551953-1
CHK R. DAAMEN 10DEC10	
APVD T. D. BOER 10DEC10	
PRODUCT SPEC 108-19360	
APPLICATION SPEC 114-19128	
WEIGHT -	
Customer Drawing	

STE TE Connectivity

NAME: PLUGGABLE BUSBAR CONNECTOR SOLDER VERSION CROWN CLIP JUNIOR

SIZE: A2 CAGE CODE: 00779 DRAWING NO: C-1551953 RESTRICTED TO: -

SCALE: 2:1 SHEET: 1 OF 1 REV: A5