

Wireless Digital Microscope S06-200X (WIFI) User Manual

([English](#))

([中文](#))

CONFIDENTIAL

Prepared by Coolingtech Digital Engineering Dept.

2012.10.25

Thank you for purchasing our S06-200X WIFI Wireless Digital Microscope; it can work on mobile device like tablet PC or mobile phone, which is WIFI capable and based on IOS or Android. This device is widely used in different fields including:

1. Textile industrial for textile inspection
2. Printing inspection
3. Industrial inspection: PCB, Precision machinery...
4. Educational purpose
5. Hair examination
6. Skin examination
7. Microbiological observation
8. Jewelry & coin (Collections) inspection
9. Visual Assistance
10. Others

S06 Wireless Digital Microscope makes up the limitation of distance and can be used in a range within 10 to 30 meters. It is a perfect match with IOS mobile device (iPad, iPhone) and android mobile device (android tablet PC, android mobile phone). Please read below manual to get more detail about the microscope and follow the operation instructions.

CONTENTS

Introduction2

Parts of Microscope3

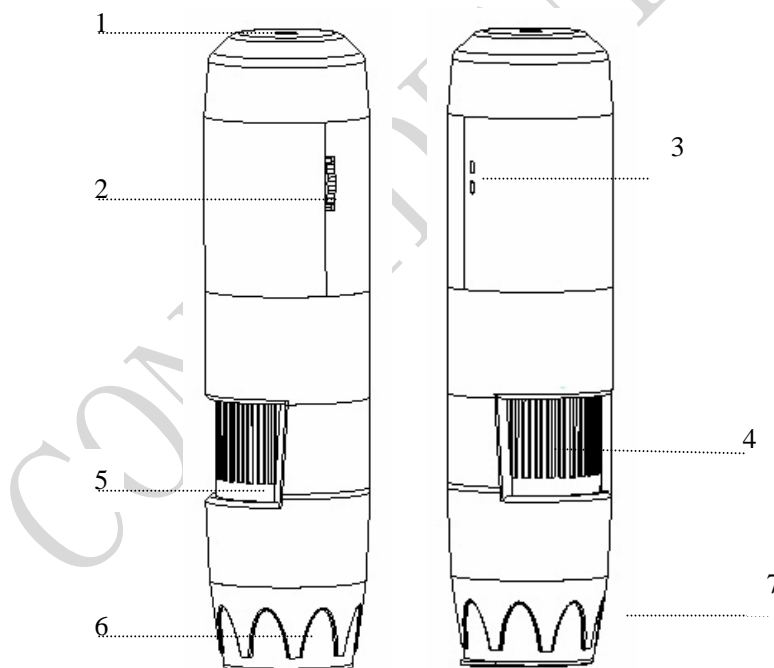
Specification3

How to Use4

Notes before use5

Product Outlook & Standard parts11

Parts of Microscope



- ① DC 5V socket ② Switch On/Off & light brightness adjust wheel
- ③ WIFI indicator light ④ Focus Roller ⑤ Ratio scale ⑥ Lens
- ⑦ LED Light source

Specification

Image CMOS Sensor

Controller: High Speed DSP (M-jpeg)

Magnification Range 5X ~ 200X (Manually)

Take Images: Snap shot in build-in application program

Supplementary Light Source: Built-in 4~ 8 White-light LED and adjustable illumination ensure the magnified images are clear and bright

Focus Range: 0mm ~ 40mm, other range can be customized

WIFI Standard: IEEE 802.11 b/g/n standards compliant

Video Capture Resolution: 0.3M.

Still Image Capture Resolution: 640*480, can be magnified and minified

Frame Rate: VGA 20 f/s Under 600 LUX Brightness

Fixed Foundation: Tailor-made for the microscope

Brightness Control: Manual adjustment

Power Supply: Rechargeable 1000mA self-protection lithium battery

Support O/S: WIFI capable, such as IOS and Android

Language: English (other language can be customized)

Application Software: HotViewer

Illumination Scope: 0 ~ 30000LUX

Product Dimension: 142 mm (L) X 37 mm (R)

Product Net Weight: 100g

Available Color: Deep blue

How to Use

1 Instruction for the **IOS platform** (iPad for example)

① Download the “NetcamViewer” from APP store



② Type “NetcamViewer” in APP store search tool bar and search





③ After installation, below icon appears in the application desk.



- ④ Click “NetcamViewer” and do Parameter Setting

Enter camera details

Cancel Edit Camera Done

Identification

Name **HOT**

Folder Root >

Give an item a clear name to quickly identify it. Group related items into folders.

Connection

http://10.10.1.1 : 8196

Discover local cameras >

Use local discovery to quickly add Axis or Mobotix cameras on your local network. You can also manually enter or paste information in the address field

Authentication

Username **HOT**

Password **HOT**

For safety, many cameras require a username and password. Enter this information in this section.

Type Section

Camera Type **ABS** >

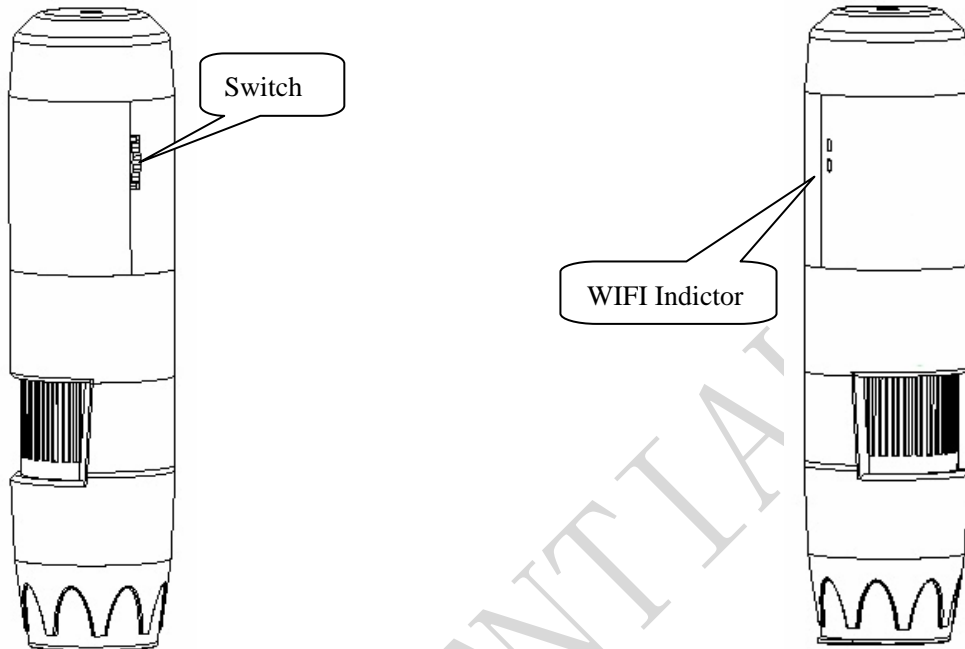
Options >

The camera type information is required to communicate with a camera. More detailed features can be configured by tapping



Once the setting is finished, click the Icon  on right above, then all setting is completed.

2 Turn on the switch, and adjust to the max brightness



Wifi Indicator(Green LED)Light on 5 seconds later, it start flicker then wireless signal transmitting is working normally. **(SSID is HOT)**

3 wireless (WIFI) signal connecting:

Turn on the receiving end on iPad and start setting, find the wireless signal "HOT" and click "connect".

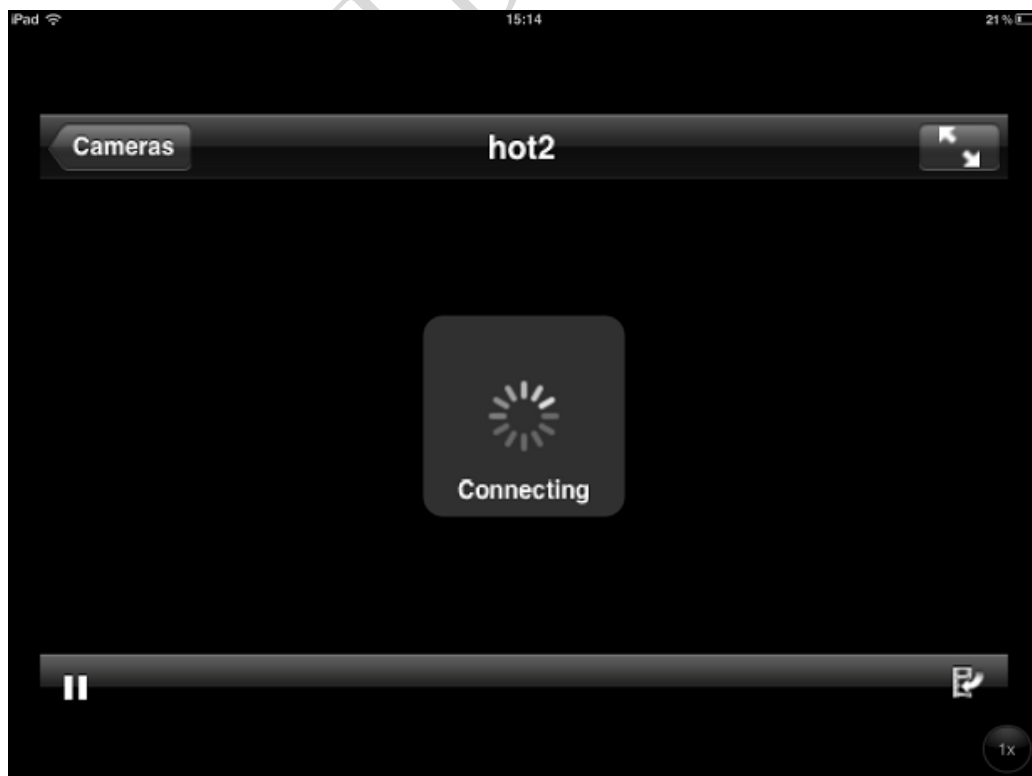


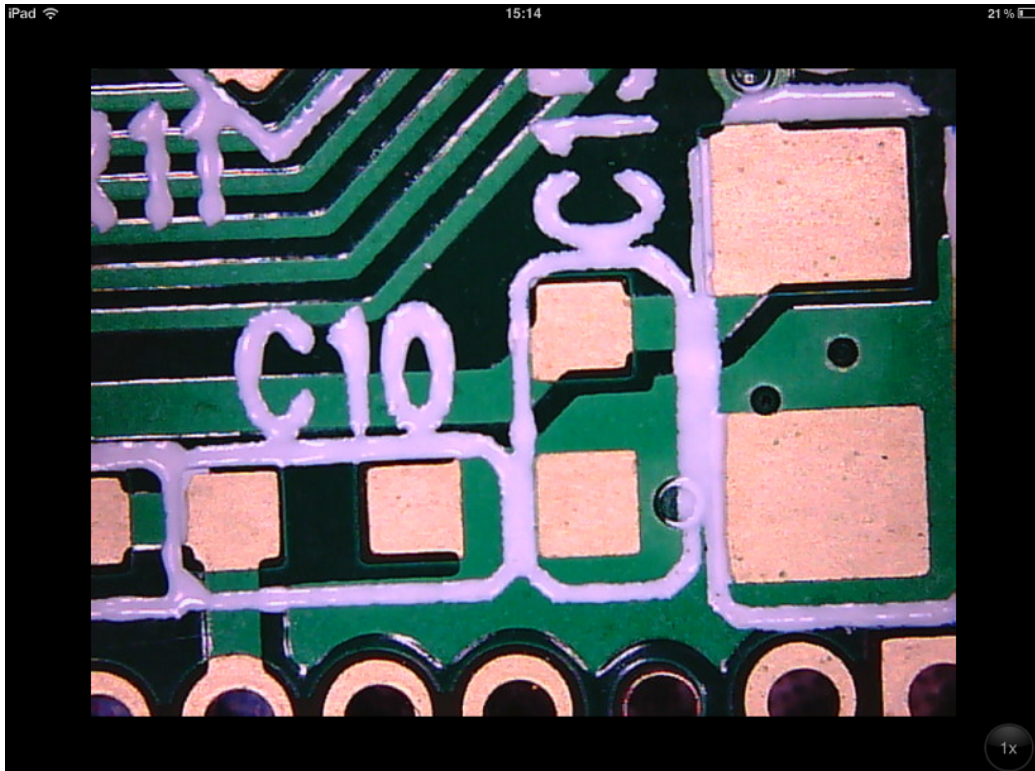


After 3~5sec, the connection is ok, and the wireless signal will appear



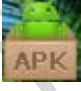
5 Click the Netcamviewer icon, you will see the corresponding image. Then you can take picture or do other operations.






6 If you don't want to download and install the "NetcamViewer" application, you can open the safari and Input the web address "**10.10.1.1: 8196**" into the address Column and you can get into the website ,then you can browse the pictures directly
Username and password : HOT

7 For the **Android platform**, when use for the first time, you need install the

"HotViewer"  application to your mobile device, the application contains in the CD. Turn on the receiving end mobile and start setting, find the wireless signal

"Hot" and click "connect". then Click the icon , then you can start the use.

Notes before use

1. Don't disassemble the digital Microscope or change the interior parts, it can cause damage.
2. Don't clean the Microscope with alcohol organic solvents
3. Don't touch the lens with your fingers.

4. Avoid outdoor use if possible.
5. Storage temperature, 0°C ~ 40°C, Humidity: 45%RH ~ 85RH%.
6. In case the product gets wet, leave PC connection immediately. And do not disassemble or dry by hair dryer. Send to repair center if the digit microscope was affected by liquid or other elements.
7. Wireless signal range within 30 m

Standard parts and accessories

1. Digital Microscope (1pc)
2. Charger (1pc) include power line
3. Special base (1pc)
4. CD ROM (application "HotViewer") for android and installation user manual
5. Warranty card (1pc), quick guide (1pc)

Any questions, please E-mail: yiwen@hot183.com

非常感谢贵司（您）购买了**S06-200X**无线（**WIFI**）数码显微镜，**WIFI**无线数码显微镜主要针对便携式移动设备带**WIFI**信号的平板电脑和手机。非常便利。无线数码显微镜应用范围非常广泛,主要有以下方面。

1工业方面：

- a 工业检视，例如电路板、精密机械等
- b 印刷检视，SMT焊接检查
- c 纺织检视
- d IC表面检查

.....

2美容方面

- a皮肤检视
- b发根检视
- C红外理疗（特定产品）

.....

3生物应用

- a微生物观察
- b动物切片观察

.....

4其它

- a扩视器，协助视障人士阅读
- b宝石鉴定

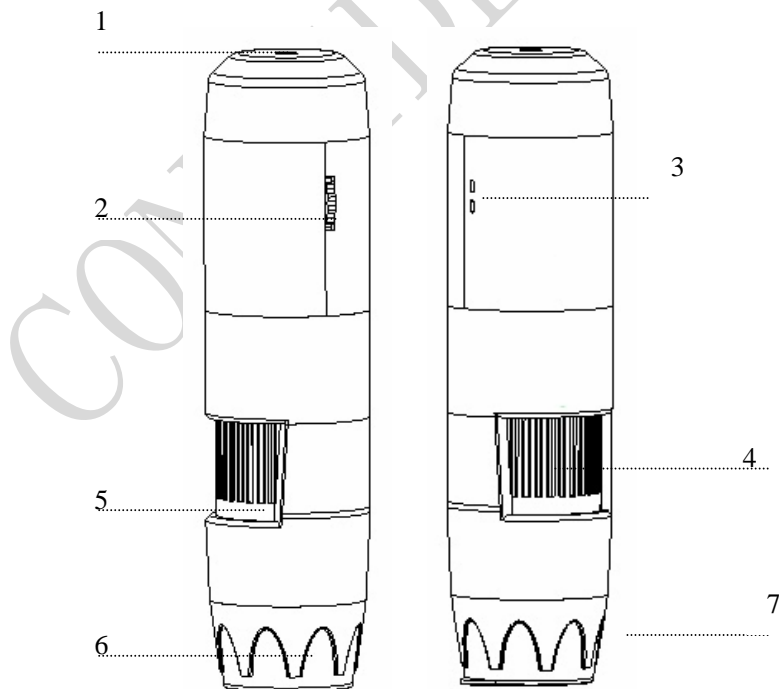
.....

S06无线数码显微镜弥补了有线数码显微镜的距离限制，能够在空间10~30m的环境内，在IOS系统的平板和手机（如Ipad 和 Iphone）,andriod系统的平板和手机上使用，非常的方便。为了更详细的介绍本产品，敬请耐心的阅读产的产品介绍，使用方法，注意事项。

目 录

首页.....	12
前言.....	12
目录.....	13
各部位介绍	13
产品规格.....	14
使用说明.....	15
安全警告及注意事项	21
配件说明	21

各部位说明



- ① DC5V插座 ② 开关和调光旋钮 ③ 充电和WIFI信号指示灯 ④ 调焦滚轮
⑤ 倍率刻度 ⑥ 镜头 ⑦ 辅助光源灯罩

规格:

- 传 感 器 : 高性能外国进口感光芯片
- 主控芯片 : 专用主控DSP
- 放大倍率 : 5X ~ 200X
- 拍照/录像: 应用程序内置
- 辅助光源 : 4 ~ 8颗白光LED灯
- 静态分辨率: 640*480, 可根据自己的要求做放大和缩小处理
- 成像距离 : 手动调节0~40mm, 其他距离可定制
- 影像分辨率 : 640*480, 可根据自己的要求做放大和缩小处理
- 固定底座 : 特制底座
- 光 盘 : 含应用软件及说明书
- 支持系统 : 基于IOS系统和andriod系统的平板电脑和手机
- 电 源 : 内置1000mA自保护锂电池
- 应用程序 : hotviewer
- 动态帧数 : QVGA 30f/s Under 600 LUX Brightness
VGA 20 f/s Under 600 LUX Brightness
- 照度范围 : 0 ~ 30000LUX线控可调
- 硬件需求 : 主频700M Hz以上,1G硬盘 CD ROM 光驱;
64MB 内存
- 支持语言: 英文(其它语言需要定制)
- 产品颜色: 深蓝色
- 主体尺寸: 142mm (L)* 37mm (R)
- 单机净重: 100g

使用说明:

- 1 打开电源开关，将光线调整到最亮

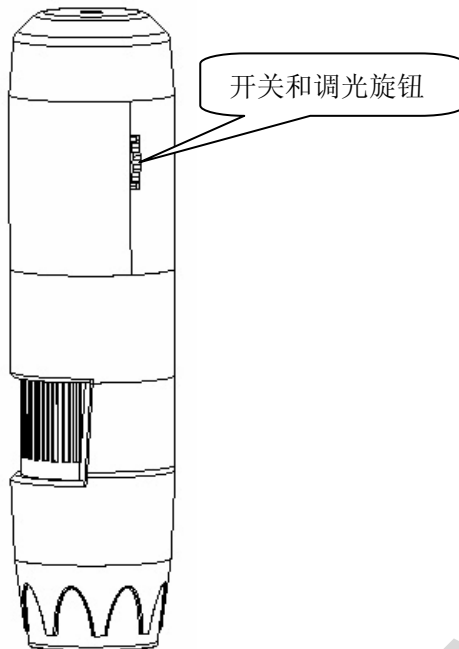


图1

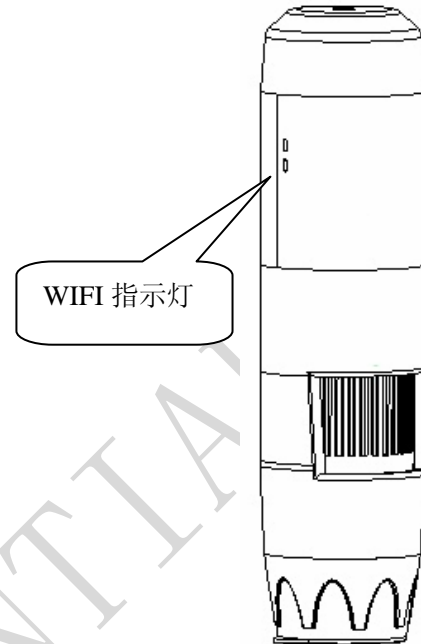


图2

- 2 LED绿色指示灯开始亮起，3~5S 后，LED灯开始闪烁，代表WIFI信号发射正常
- 3 针对IOS系统（IPAD）为列，做如下说明：

① NetcamViewer 软件下载



② 在 APP store 中，搜索栏中输入 NetcamViewer



③ 安装后，应用程序面会出现如下图标



④ 点击NetcamViewer，进行一些参数设置



http://10.10.1.1 **: 8196**

Discover local cameras >

Use local discovery to quickly add Axis or Mobotix cameras on your local network. You can also manually enter or paste information in the address field

Authentication

Username **HOT**

Password **HOT**

For safety, many cameras require a username and password. Enter this information in this section.

Type Section

用户名同密码一致，都是HOT

For safety, many cameras require a username and password. Enter this information in this section.

Type Section

Camera Type **ABS** >

Options >

The camera type information is required to communicate with a camera. More detailed features can be configured by tapping


击右上方按钮  就完成设置了

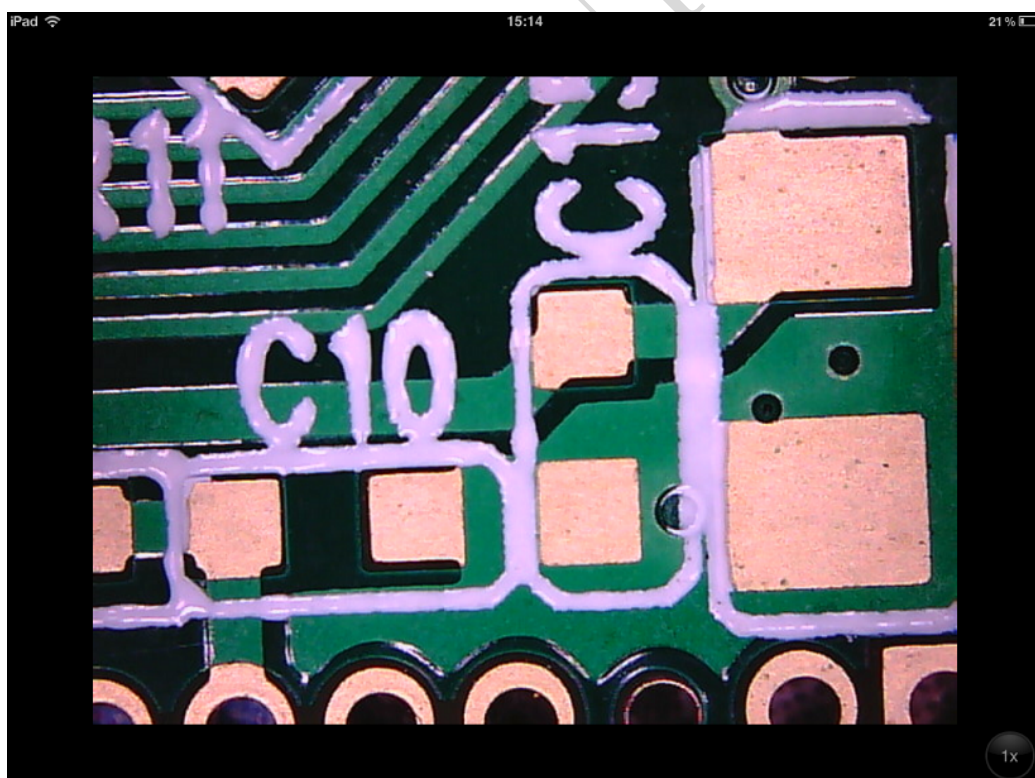
4 进行WIFI信号连接，点击Settings



3~5S后在Network中选中SSID为HOT



5 WIFI 信号连接后，点击应用图面上的，就可以正常使用了
如下图



- 6 WIFI信号连接后, 如果不想下载AP软件NetcamView, 可直接在Safari中, IP地址栏中直接输入**10.10.1.1:8196**, 就可以再网页中直接浏览图像。如果需要输入用户名和密码的, 直接输入**HOT**

- 7 针对android系统的平台，将光盘中的AP软件HotViewer，直接安装到相应的平板电脑或手机中应用程序免会出现相应的图标。使用方式同之前一致。打开显微镜开光---将光线亮度调到最大----左侧LED灯开始闪烁，标示信号正常了.设置--Wifi--SSID为HOT，连接。然后直接点击应用程序的图



标就可以正常使用了

安全警告及注意事项

1. 勿拆解本产品，以避免静电击穿精密芯片。
2. 勿用酒精等有机溶剂清洁产品。
3. 勿用手指触摸镜头，以免表面造成刮痕和脏污
4. 户外使用时应避免高温和高湿环境中，防电子器件短路。
本产品不具有防水功能，请应避免淋雨和进水。
5. 本产品的使用和存储温适度范围：0°C ~ 40°C，相对湿度：45%RH ~ 85%RH
6. 若不慎使异物或水分/液体 进入数产品内部，立即断开电源并送至维修中心检修，切勿自行处理。
- 7 设备测量精度仅供参考，由测量误差引起的纠纷与本产品无关。
- 8 本产品有效距离在10~30m之内。

配件说明

1. 无线(WIFI)数码显微镜（1台）
2. 专用底座一台
3. 充电器一台
- 4 光盘(安装说明书)
5. 保修卡一份,快速使用指南一份

如有其它问题，请E-mail: yiwen@hot183.com，我们会第一时间详细的解释说明。