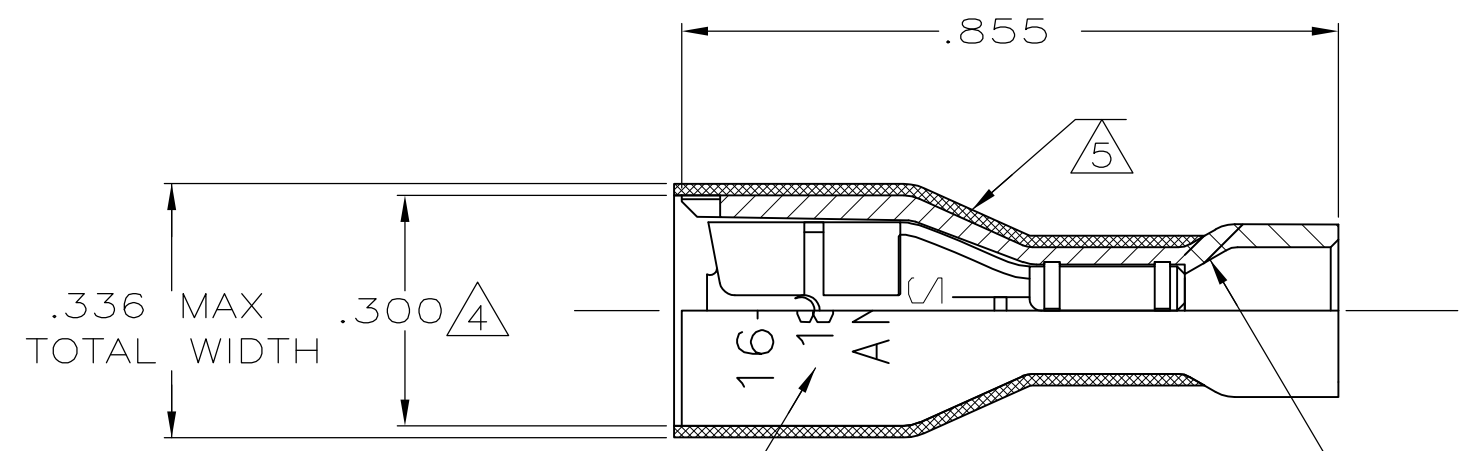
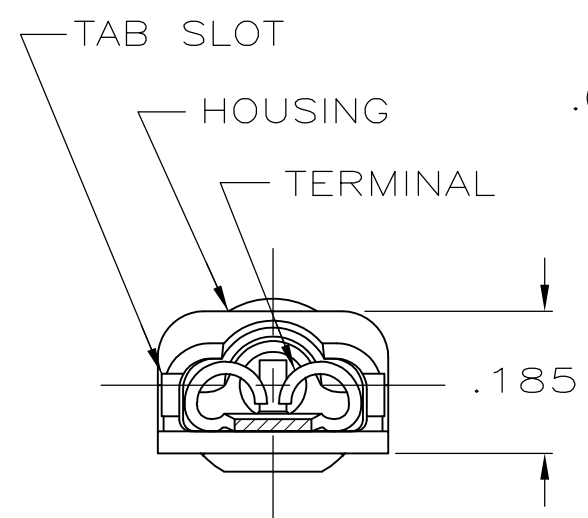


THIS DRAWING IS UNPUBLISHED. RELEASED FOR PUBLICATION
 © COPYRIGHT - By - ALL RIGHTS RESERVED.

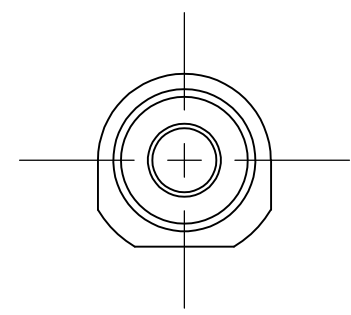
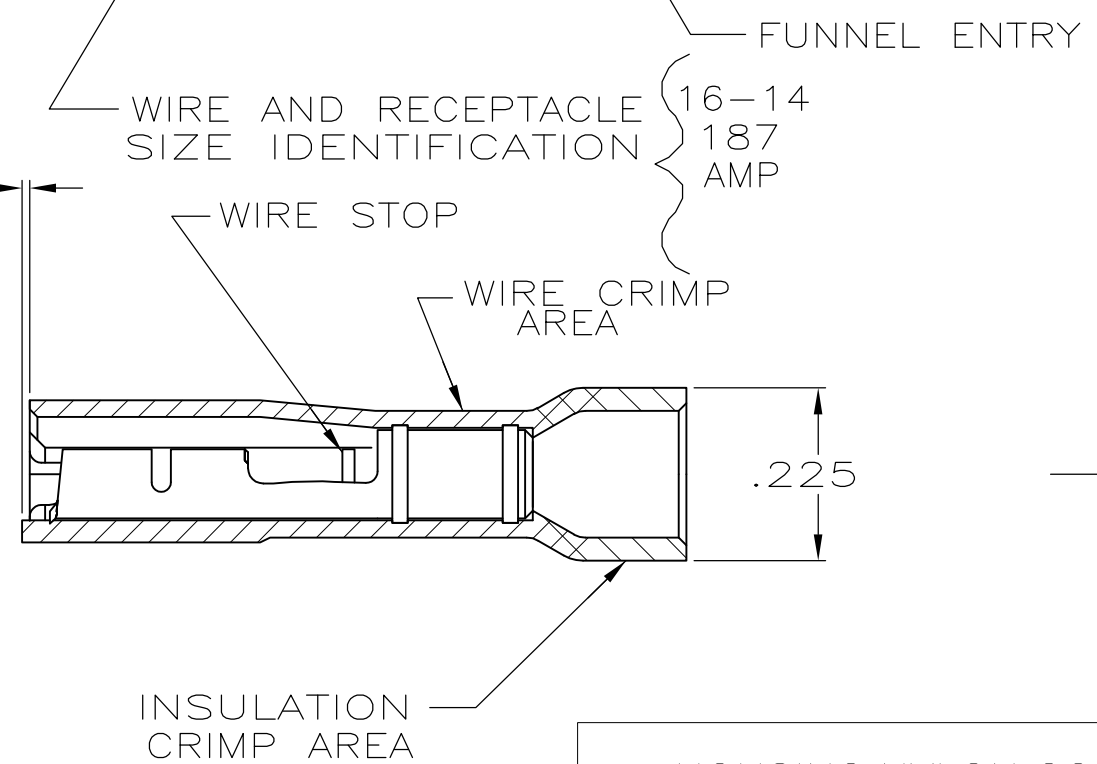
LOC	DIST	REVISIONS			
P	LTR	DESCRIPTION	DATE	DWN	APVD
AF	50	J	REVISED PER ECR-12-005303	24JUL12	KH KR



- 1 MATES WITH .020±.001x.187 TAB
- 2 WIRE STRIP LENGTH .281
- 3 INSULATION SIZE .090-.160 DIA
- △4 DIMENSION DOES NOT INCLUDE TRIM BURR
- △5 .015 MAX CARRIER TRIM BURR PER SIDE IS ALLOWABLE IN THE SHADED AREA



.010 MAX CUT-OFF TAB



HOUSING: NYLON, COLOR-BLUE TRANSLUCENT	3-520410-2
RECEPTACLE: #3 HARD BRASS TIN	
MATERIAL & FINISH	PART NO

THIS DRAWING IS A CONTROLLED DOCUMENT.		DWN P FORTNEY 11/1/88	STE TE Connectivity	
DIMENSIONS: INCHES		CHK MS FEHER 11/14/88		
TOLERANCES UNLESS OTHERWISE SPECIFIED:		APVD K RANDOLPH 11/14/88	NAME	
0 PLC ± -		PRODUCT SPEC	RECEPTACLE ASSY, ULTRA-FAST PLUS, LOOSE PIECE .187 SERIES, 16-14 AWG	
1 PLC ± -		108-2044	SIZE CAGE CODE DRAWING NO RESTRICTED TO	
2 PLC ± -		APPLICATION SPEC	A3 00779 C-520410	
3 PLC ± .015		114-2123	SCALE 4:1 SHEET 1 OF 1 REV J	
4 PLC ± -		WEIGHT -		
ANGLES ± -		CUSTOMER DRAWING		
MATERIAL SEE TABLE		FINISH SEE TABLE		