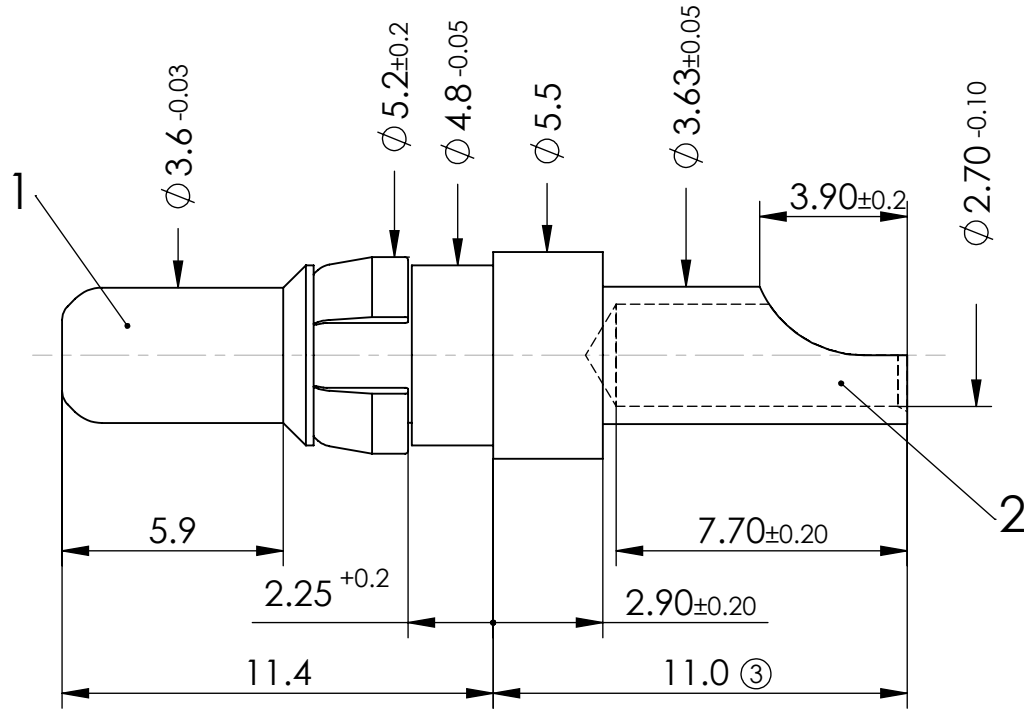
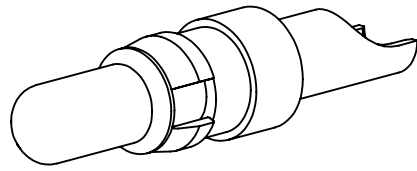


COMMENT:
 ALL RIGHTS ARE RESERVED BY US FOR THIS DRAWING. WITHOUT OUR PRIOR CONSENT,
 IT MAY NEITHER BE DUPLICATED NOR MADE AVAILABLE TO A THIRD PARTY,
 AND IT ALSO MAY NOT BE IMPROPERLY USED BY THE RECEIVER, OR A THIRD PARTY.



CURRENT	20 A	HIGH POWER CONTACT		SCALE	DATA SHEET
FOR	D-Sub			5:1	
DIMENSIONS IN MM		DRAWN	NAME / DATE		
MATERIAL + FINISH SEE EXTRA SHEET		CHECKED	D. Bocan 02-04-2003		
UNLESS OTHERWISE SPECIFIED DIMENSIONS FOR REFERENCE ONLY			ffuhrmann 15-12-2006		
3	15-12-2006	11507			PART NO.
REV.	DATE	INDEX			FMP006P
			ORIGINAL: DIN A4-DRAWING AS A FILE	REPLACEMENT FOR:	3
					PAGE: 1/1