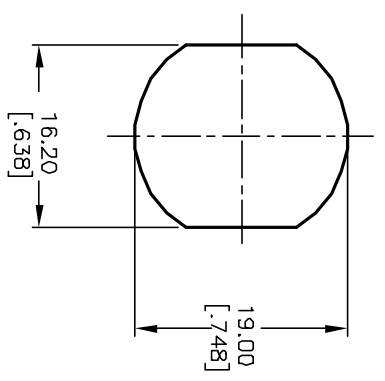


NOTES:

1. ALL DIMENSIONS IN MM [INCH]
2. GENERAL TOLERANCE: X.X=±0.4  
X.XX=±0.25
3. TERM. NOS. FOR REF. ONLY
4. CONTACT RATING: 4A @125VAC/28VDC, 2A @250VAC
5. DIELECTRIC STRENGTH: 1KV RMS min. at sea level
6. ELECTRICAL LIFE: 10,000 make-and-break cycles at full load.
7. MATERIALS:

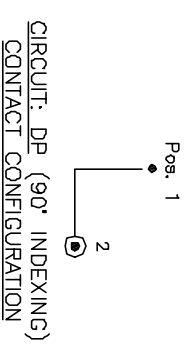
CONTACTS: Silver Plated CU (Q Contact material)  
 TERMINALS: GOLD Plated Cu (Q Contact material)  
 MOUNTING NUT: Nickel Plated zinc alloy  
 CONTACT SPRING: Piano Wire  
 KEYS (2): Brass with code no. 605  
 LOCK: Bright Ni plated zinc alloy with Ni facing  
 TUMBLER Mechanism: 4-disc tumbler cylinder.



RECOMMENDED PANEL LAYOUT

- LEGEND
- =Detent Positions (45° or 90°)
  - ⊙ =Key pull possible in these positions

| CIRCUIT: DP (90° INDEXING) |          | CONTACT CONFIGURATION |  |
|----------------------------|----------|-----------------------|--|
| SWITCH FUNCTION            |          |                       |  |
| CONNECTED TERMINAL #       | POS. 1   | POS. 2                |  |
| 8-1, 4-5                   | 1-3, 5-7 |                       |  |



|      |         |                         |         |       |
|------|---------|-------------------------|---------|-------|
| REV. | ECN NO. | DESCRIPTION             | DATE    | CHK'D |
| A    | 11714   | RELEASED FOR PRODUCTION | 10/5/01 | CJB   |

|            |  |       |  |         |     |         |     |
|------------|--|-------|--|---------|-----|---------|-----|
| TITLE      |  | SCALE |  | DATE    | DR  | DWG     | REV |
| K0130Q-605 |  | 1.5:1 |  | 10/5/01 | CJB | K200265 | A   |



THE INFORMATION CONTAINED IN THIS DOCUMENT IS PROPRIETARY TO E-SWITCH AND IS NOT TO BE COPIED OR TRANSMITTED