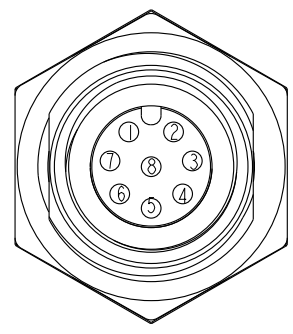
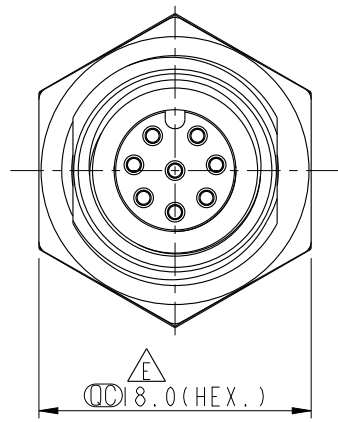
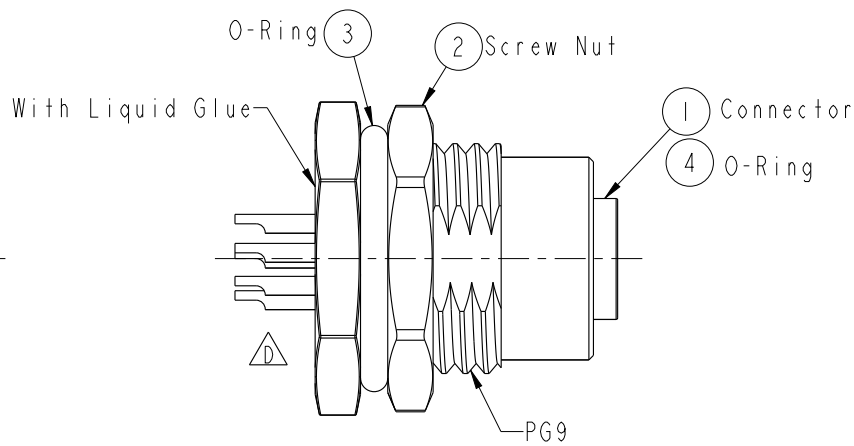
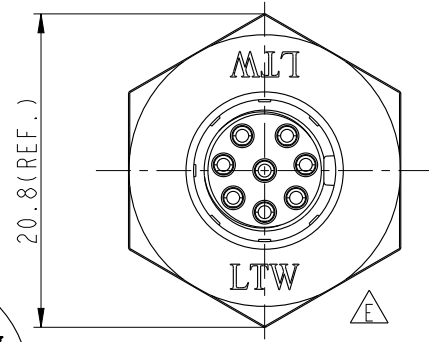
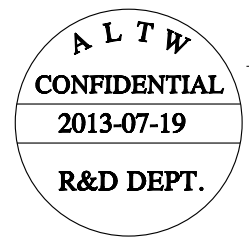
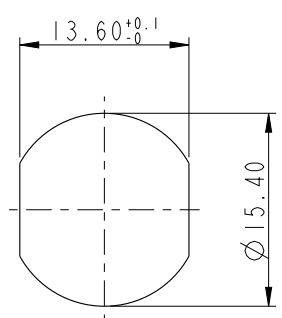


THIS DOCUMENT IS SUBJECT TO CHANGE WITHOUT NOTICE. IT IS CONFIDENTIAL AND A PROPERTY OF AMPHENOL LTW. DISCLOSURE TO THIRD PARTY HAS TO BE AUTHORIZED BY AMPHENOL LTW.

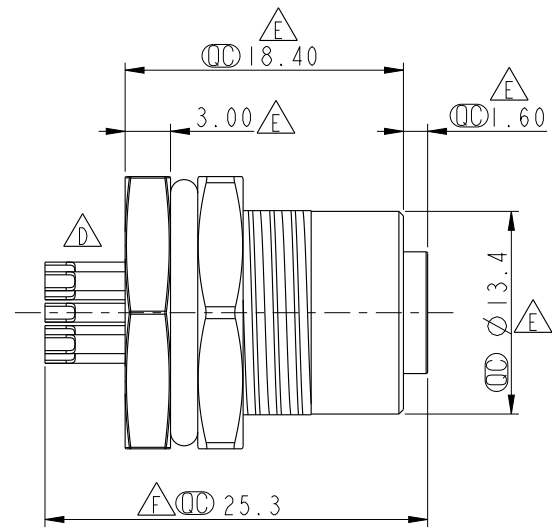
REV.	ECN NO.	DATE	SIGN	DESCRIPTION
D	LEN-7C0086	2007/12/17	Cloud	Correct the pin style.
E	LEN-040050	2010/03/30	Vicky	REF. TO ECR/N.NOTE.
F	LEN1370287	2013/07/19	Rensong	chang demension 25.2 to 25.3



Pin Assignment
Front View



Recommended Panel Cut-Out



- Note:
- * (CC) Important Dimension.
 - * Waterproof Rate: IP68
 - * IP68: 1M Depth Of Water In 24hours.
 - * Housing: Black, Nylon+GF
 - * Female Pin: Copper Alloy, Gold Plated.
 - * Shield: Zinc Alloy, Nickel Plated
 - * Nut: Zinc Alloy, Nickel Plated
 - * O-Ring1: EPDM, Black.
 - * O-Ring2: Viton, Green.
 - * For Panel Thickness Max 4.5mm
 - * Nut Torque: 4-6 kgf.cm

UNIT: mm		
TOLERANCE	.X	±0.25
	.XX	±0.1
	.XXX	±0.05
	ANGLES	±1°

TITLE M12 Conn Panel Screw 8Pin F Conn F Pin			
SCALE	SIZE	SHEET	OF
2:1	A4	1	1
REV.	WC-REV.	CC: Inspection item	
F	B.1		

Amphenol LTW
安費諾亮泰企業股份有限公司

ITEM NO	12-08PFFS-SF8001	DRAWN BY	Lin_rensong	DATE	2013-07-19
DWG NO	12-08PFFS-SF8001	CHECKED BY	Tony	DATE	2013-07-19
CUSTOMER	ALTW	APPROVED BY	Maslow	DATE	2013-07-19