

[Optional Debug Headers](#) : AC244060

---

## AC244060

### Header Identification

The AC number is used for ordering the Processor Extension Pak, which contains the debug header. However, this number is not on the header, as the board may be used for multiple headers by inserting different -ICE/-ICD devices. To identify this header, use the following information.

AC Number	-ICE/-ICD Device	Board Assembly Number
AC244060	PIC16F753-ICE	02-10153

### Header Setup and Operation

For this header, there are no jumpers/switches. MPLAB X IDE will use its selected device to choose the correct device to emulate.

### Header Limitations

See the “Limitations” section in your debug tool online Help file for details.

### Header Dimensions

The figure below lists the dimensions for the debug header. Dimensions are design values in inches.

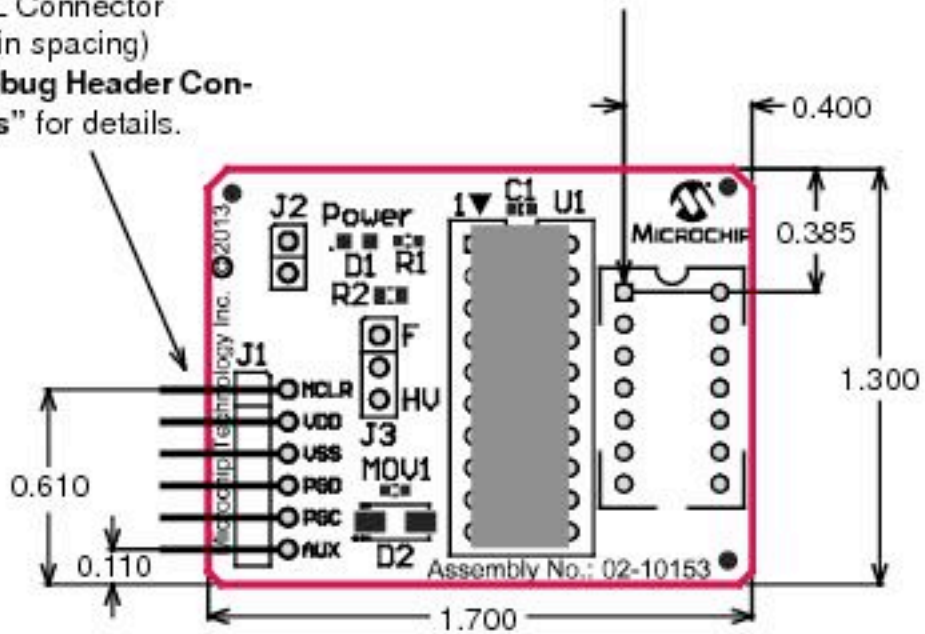
If the length and/or width of the debug header is too large a footprint for the target board, consider using stand-offs, transition sockets or other extenders in the header connection socket to raise the header above the target.

**Figure: Dimensions – AC244060**

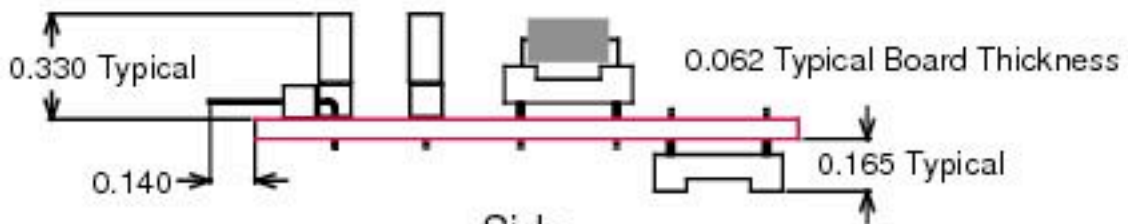
Dimensions are in inches

6-pin SIL Connector  
(0.100 pin spacing)  
See "Debug Header Connections" for details.

14-Pin DIP Target Pin 1 located  
on Bottom side of Header



Top



Side