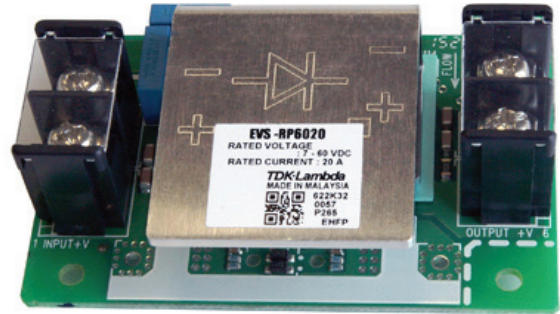


## 20A Blocking Diode Module

### Features

- ◆ Provides Reverse Current Protection
- ◆ Low Voltage Drop ORing FET
- ◆ Compact Size
- ◆ Open Frame or L Bracket Construction

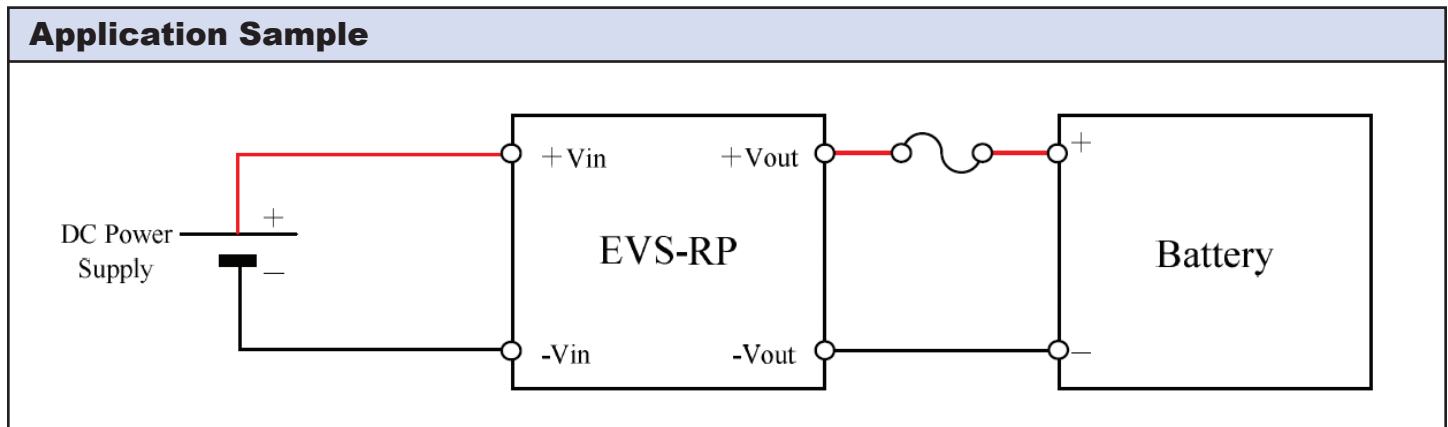


### Key Market Segments & Applications

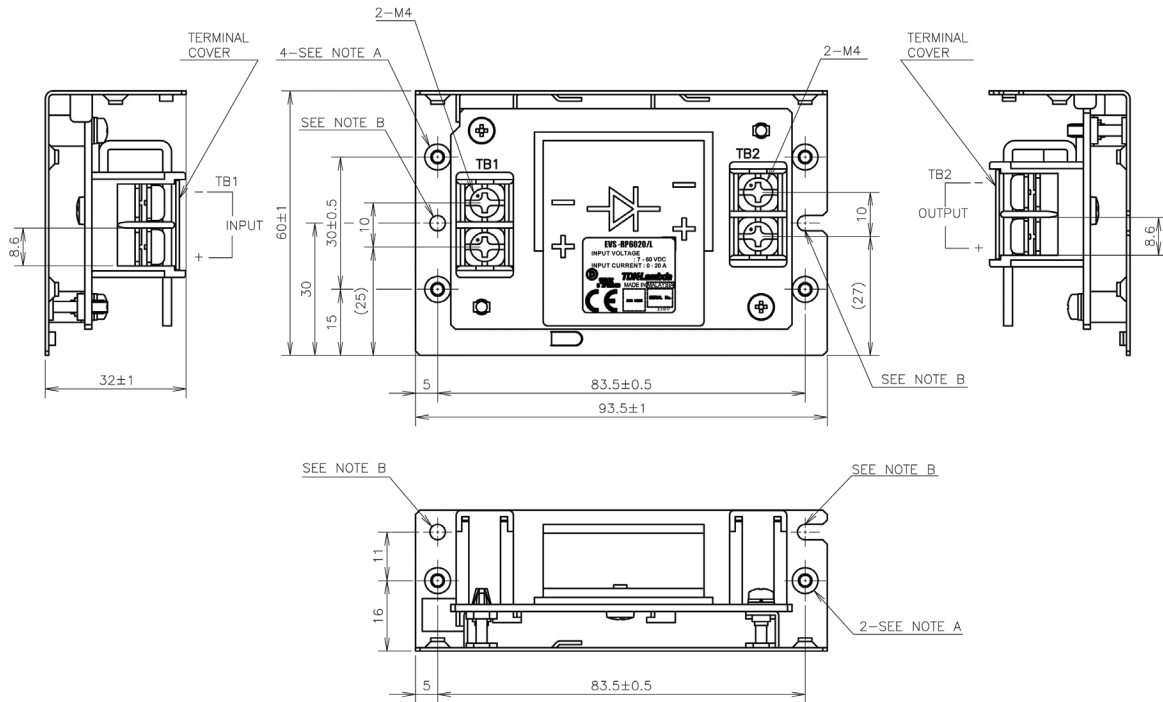


Specifications		
Model	EVS-RP6020	
Input Voltage Range	VDC	7 - 60VDC
Maximum Current	A	20A
Voltage Drop	VDC	0.2V
Maximum Reverse Current	μA	50μA
Parallel Operation	-	Maximum 2 units, no current sharing function
Cooling	-	Convection or Forced Air
Operating Temperature	°C	Convection Cooling: -20 to +74°C, derate linearly to 50% load from 50 to 74°C Forced Air (≥1.4m/s) : -20 to +74°C, derate linearly to 60% load from 60 to 74°C
Storage Temperature	°C	-40 to +85°C
Humidity (non condensing)	%RH	Operating: 20 - 90%RH, Storage: 10 - 90%RH
Withstand Voltage	VAC	Input or output to ground: 500VAC for 1 minute
Isolation Resistance	MΩ	Input or output to ground >100MΩ at 25°C, 70%RH and 500VDC
Vibration (non operating)	-	10-55Hz (sweep for 1 min), 19.6m/s <sup>2</sup> constant X, Y, Z each for 1 hour
Shock	-	196m/s <sup>2</sup>
Safety Agency Certifications	-	UL60950-1, CSA60950-1, EN60950-1, CE mark for LVD and RoHS2
Size	mm/in	Open Frame: 50 x 26 x 77.5mm, 1.97 x 1.02 x 3.05" L Bracket: 60 x 32 x 93.5mm, 2.36 x 1.26 x 3.68"
Weight	g	Open frame: 60g, L Bracket: 100g
Warranty	yrs	Five Years

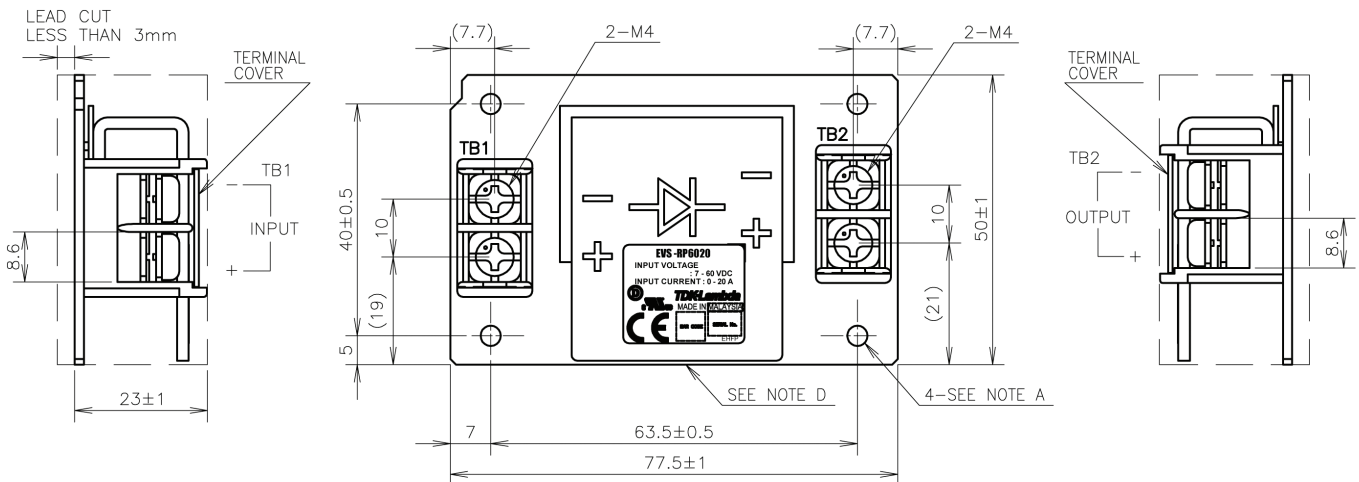
Note: See Installation Manual for full details, test methods of parameters and application notes.



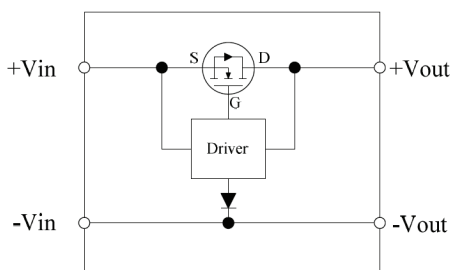
## Outline Drawing EVS-RP6020/L (L bracket)



## Outline Drawing EVS-RP6020 (Open frame)



## Block Diagram



## Options

Suffix	Description
-	Open frame construction
/L	L bracket construction

For Additional Information, please visit [us.tdk-lambda.com/lp/products/evs-series.htm](http://us.tdk-lambda.com/lp/products/evs-series.htm)

