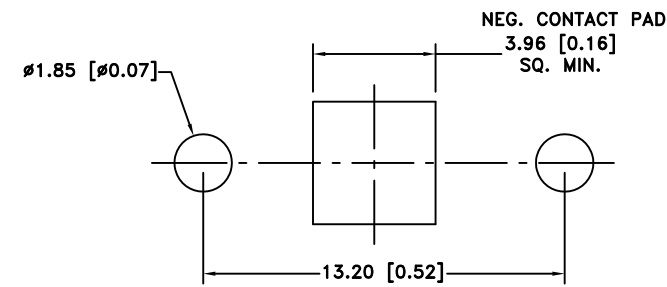
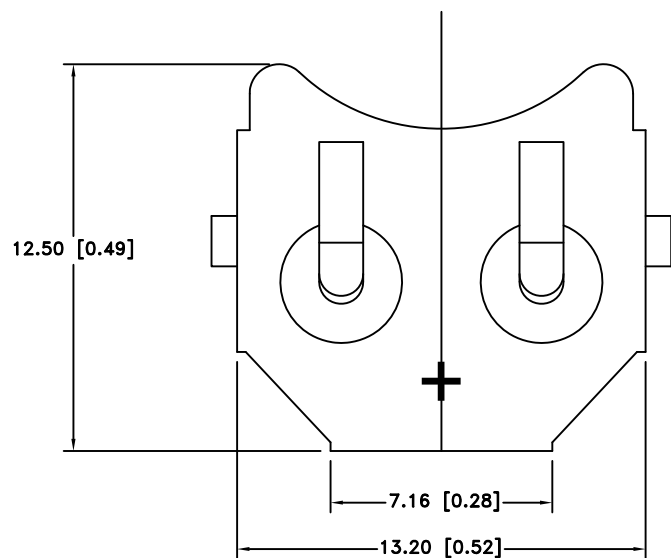
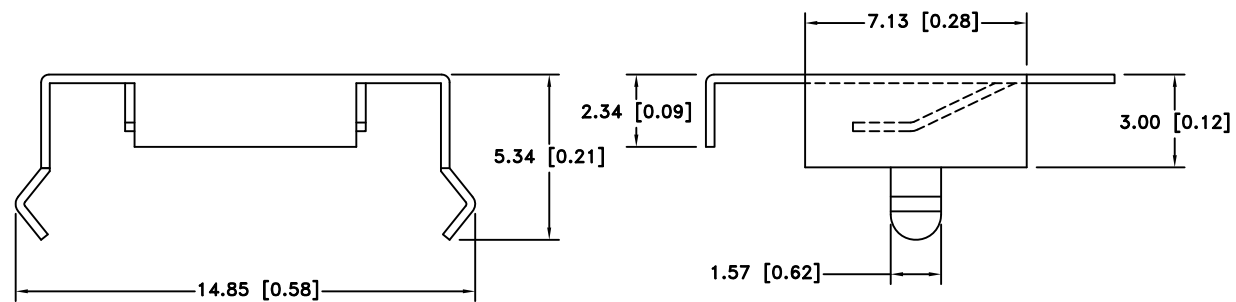


Date	SYM	REVISION RECORD	AUTH	DR.	CK.
1/07/06	A	ADDED "ROHS COMPLIANT"	T.B.	B.S.	
2/04/06	B	ADDED CHAMFERS	T.B.	B.S.	
4/16/10	C	REDESIGNED	T.B.	B.S.	




PCB LAYOUT



NOTES:

- 1. MATERIAL:  
0.25mm PHOSPHOR BRONZE, NICKLE PLTD.
- 2. ROHS COMPLIANT

Tolerance (Except as noted)		Memory Protection Devices, Inc	
		200 Broad Hollow Road, Farmingdale, New York 11735	
decimal $\pm .5 (.020)$	Title	Scale	Drawn By B.S.
		Approved By T.B.	
Fractional $\pm .8 (.030)$	COIN CELL RETAINER FOR 12mm BATTERIES		
Angular $\pm 3^\circ$	Date	Drawing Number	
	4/16/10	BK-890	

CELL SIZE	RETAINS BATTERY NUMBERS
12mm	BR1216, CR1216, BR1220, CL1220, CR1220, BR1225