



96W TRC-096 Series

Switch Mode LED Drivers,
Constant Current

Electrical Specifications

Input Voltage Range: 100-277 VAC Nom. (90-305 V Min/Max)
 Frequency: 50/60 Hz Nom. (47-63 Hz Min/Max)
 Power Factor: >0.90 @ full load, 100V through 277V
 Inrush Current: 69 Amps @ 230 VAC
 Input Current: 1.2 Amps at 100 VAC
 Maximum Power: 96W
 Current Accuracy: ± 1%
 Load Regulation: ± 3%
 Total Harmonic Distortion: <20%
 Turn-on Delay: 0.8S
 Protection: Output Over-Voltage, Output Over-Current,
 Output Short Circuit Protection with Auto Recovery,
 Over-Temperature Protections (110C)

Environmental Specifications

Minimum Starting Temp: -35°C
 Storage Temperature: -40°C to +85°C
 Maximum Case Temp. 89°C
 Humidity: 10% to 100%
 Cooling: Convection
 Sound Rating: Class A
 MTBF: 400,000 Hours @ 25°C, 80% load, 110VAC on 4000mA
 Output Model (MIL-HDBK-217F)
 Lifetime: 50,000 Hours @ 60°C
 Weight: 1.87 lbs (850 g)



- Total Power: 96 Watts
- Input Voltage: 100-277 Vac Nom.
- UL Dry, Damp & Wet Location Rated
- IP67
- High Efficiency
- High Power Factor with Active Correction
- Output and Lightning Protection

Constant Current Versions - Product Specifications

Model Number	Output Current (mA)	Output Voltage Range (Vdc)	Typical Efficiency
TRC-096S035ST	350	137-274	91%
TRC-096S045ST	450	106-213	91%
TRC-096S070ST	700	68-137	90%
TRC-096S105ST	1050	46-92	90%
TRC-096S140ST	1400	35-69	89%
TRC-096S175ST	1750	27-54.8	89%
TRC-096S210ST	2100	22-45.7	88%
TRC-096S245ST	2450	19-39.1	88%
TRC-096S280ST	2800	17-34.2	88%
TRC-096S315ST	3150	15-30.4	87%
TRC-096S350ST	3500	13-27.4	87%
TRC-096S400ST	4000	12-24	87%

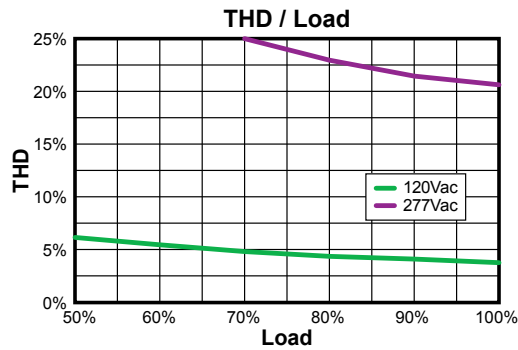
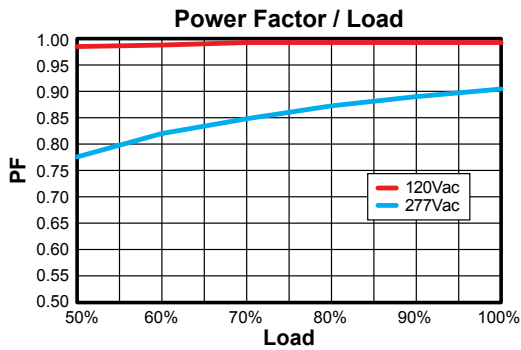
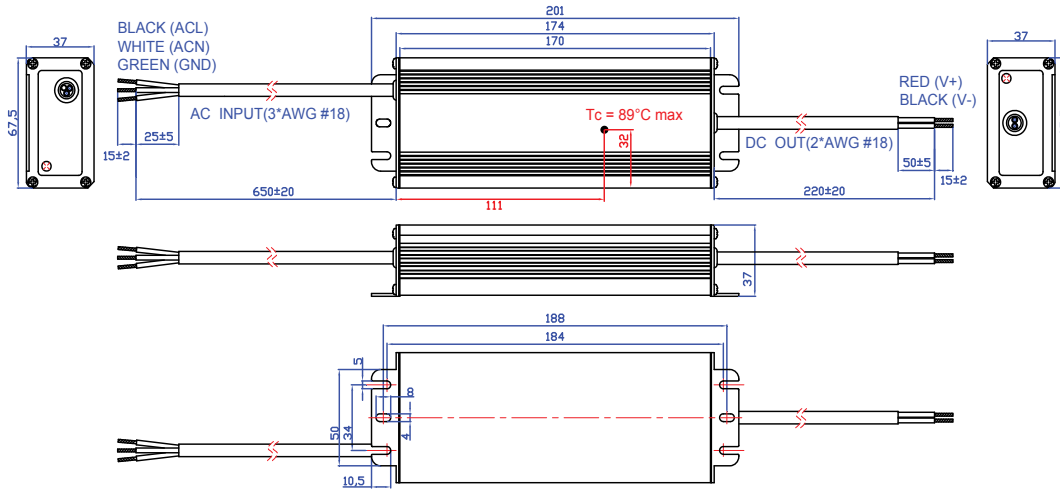
Class 2: US/Canada US Only



Note:
 LED drivers are designed and intended to operate LED loads only.
 Non-LED loading may be outside the specified design limits of our
 LED drivers, and therefore cannot be covered by any warranty.
 If you desire to use our LED drivers to operate non-LED loads
 please contact us to discuss compatibility.

Specifications subject to change without notice.

Rev 9-1-15



Safety and EMC Compliance	
UL/CUL	UL8750, UL1310, UL1012
C E	EN 61347-1, EN61347-2-13
EN 55015	Conducted emission
EN 61000-3-2	Harmonic current emissions
EN 61000-3-3	Voltage fluctuations & flicker
EN 61000-4-2	Electrostatic Discharge
EN 61000-4-3	RFE Field Susceptibility Test
EN 61000-4-4	Electrical Fast Transient
EN 61000-4-5	Surge Immunity Test: AC Power Line: line to line 4 kV, line to earth 6 kV
EN 61000-4-6	Conducted Radio Frequency
EN 61000-4-8	Power Frequency Magnetic Field Test
EN 61000-4-11	Voltage Dips
EN 61547	Electromagnetic Immunity

