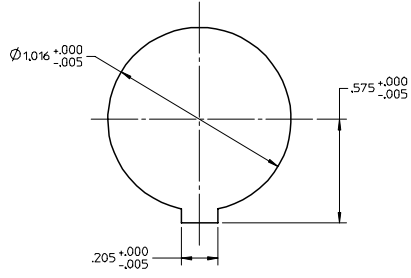
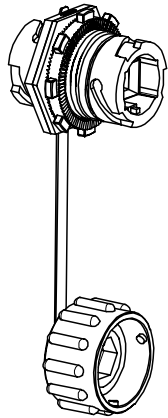


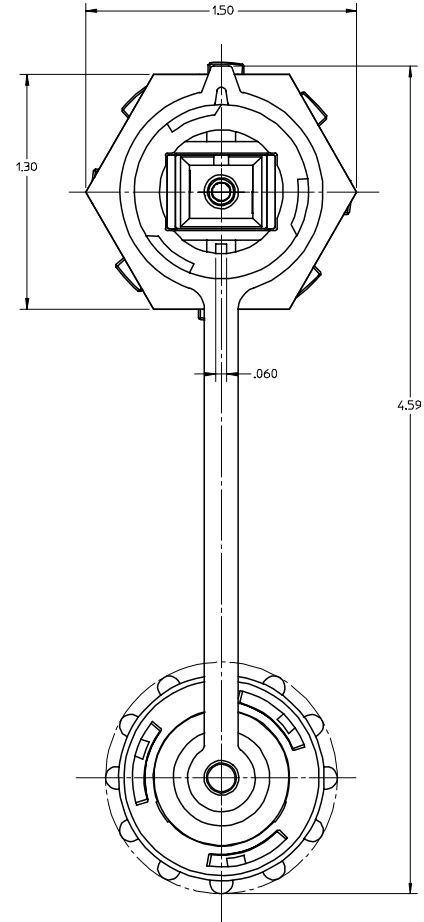
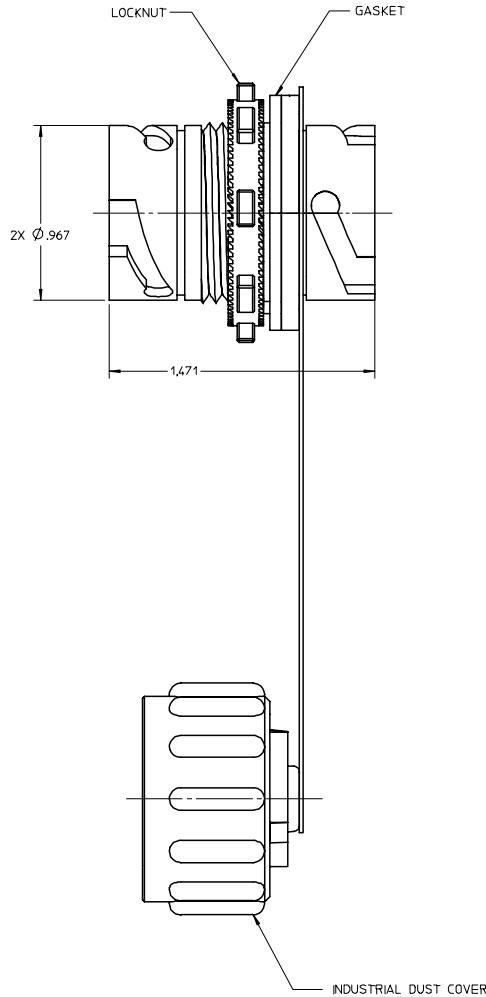
SC IN-LINE ADAPTER P/N	CONNECTOR TYPE
1060594100	SINGLE MODE
1060594110	MULTIMODE
1060594120	APC



RECOMMENDED MOUNTING CUTOUT



ISOMETRIC VIEW
SCALE 1:1



NOTES:
ALL DIMENSIONS ARE FOR REFERENCE ONLY.

ENTER DESCRIPTION EC NO: MF2007-0511 DRAWN BY: DRW:ADOBAL TRUKONIS CHKD: [blank] APPR: JGUMIN 2007/02/12 REVISIONS: [blank]	QUALITY SYMBOLS = 0 = 0	GENERAL TOLERANCES (UNLESS SPECIFIED)		DIMENSION STYLE INCH ONLY		SCALE 2:1	DESIGN UNITS INCH	THIRD ANGLE PROJECTION																							
			<table border="1"> <thead> <tr> <th></th> <th>mm</th> <th>INCH</th> </tr> </thead> <tbody> <tr> <td>4 PLACES</td> <td>± .001</td> <td>± .0005</td> </tr> <tr> <td>3 PLACES</td> <td>± .002</td> <td>± .001</td> </tr> <tr> <td>2 PLACES</td> <td>± .005</td> <td>± .002</td> </tr> <tr> <td>1 PLACE</td> <td>± .010</td> <td>± .004</td> </tr> </tbody> </table>		mm	INCH	4 PLACES	± .001	± .0005	3 PLACES	± .002	± .001	2 PLACES	± .005	± .002	1 PLACE	± .010	± .004	<table border="1"> <thead> <tr> <th>DRAWN BY</th> <th>DATE</th> </tr> </thead> <tbody> <tr> <td>D.B.</td> <td>2006/6/29</td> </tr> <tr> <th>CHECKED BY</th> <th>DATE</th> </tr> <tr> <td>[blank]</td> <td>[blank]</td> </tr> </tbody> </table>	DRAWN BY	DATE	D.B.	2006/6/29	CHECKED BY	DATE	[blank]	[blank]	TITLE SC IN-LINE INDUSTRIAL ADAPTER			
		mm	INCH																												
	4 PLACES	± .001	± .0005																												
3 PLACES	± .002	± .001																													
2 PLACES	± .005	± .002																													
1 PLACE	± .010	± .004																													
DRAWN BY	DATE																														
D.B.	2006/6/29																														
CHECKED BY	DATE																														
[blank]	[blank]																														
		<table border="1"> <thead> <tr> <th>APPROVED BY</th> <th>DATE</th> </tr> </thead> <tbody> <tr> <td>I.G.</td> <td>2006/6/29</td> </tr> </tbody> </table>	APPROVED BY	DATE	I.G.	2006/6/29	MATERIAL NO. 10605941X0		DOCUMENT NO. SD-106059-41X0	SHEET NO. 1 OF 1																					
APPROVED BY	DATE																														
I.G.	2006/6/29																														
DRAFT WHERE APPLICABLE MUST REMAIN WITHIN DIMENSIONS		SIZE C		THIS DRAWING CONTAINS INFORMATION THAT IS PROPRIETARY TO MOLEX INCORPORATED AND SHOULD NOT BE USED WITHOUT WRITTEN PERMISSION																											