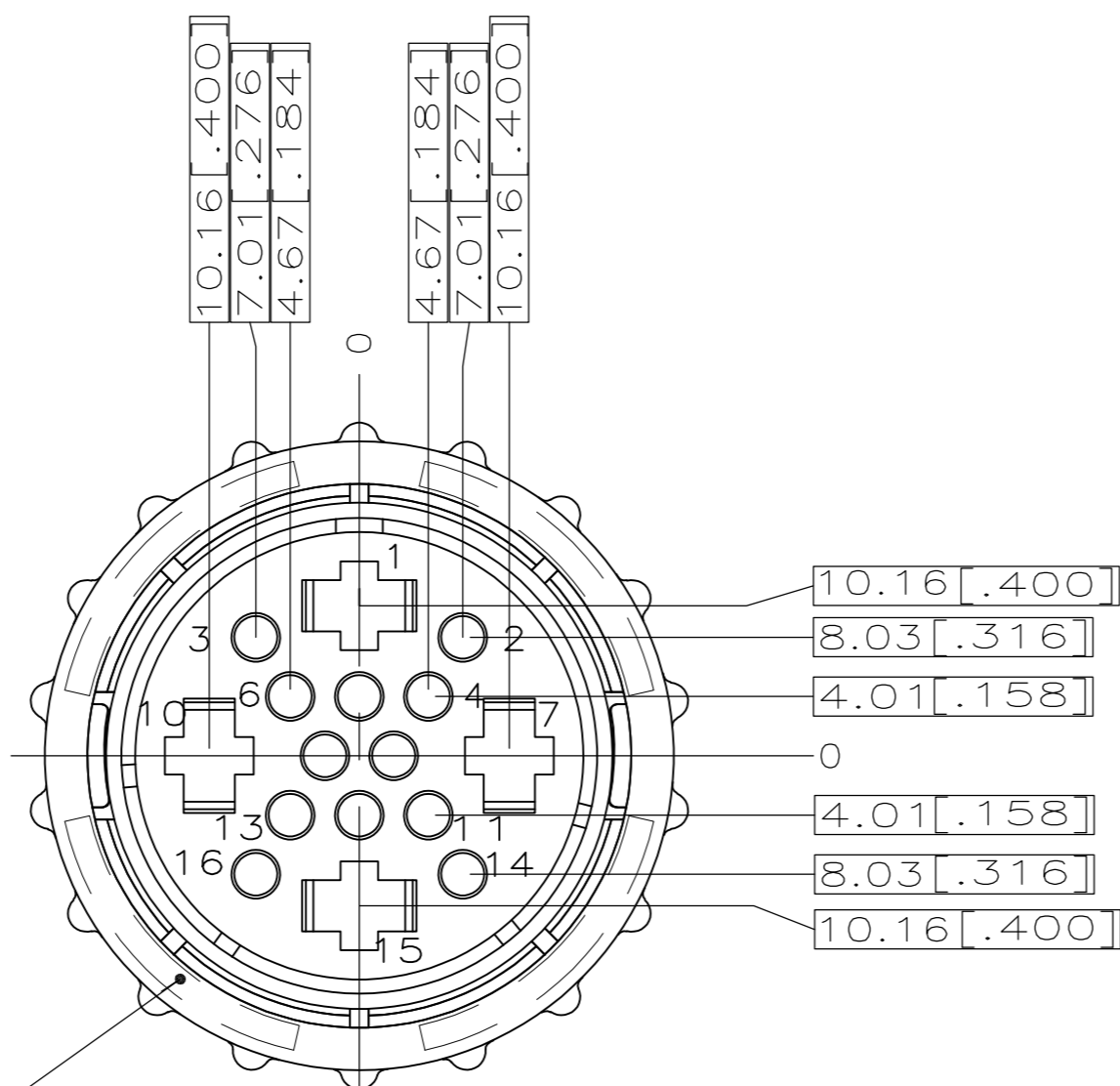


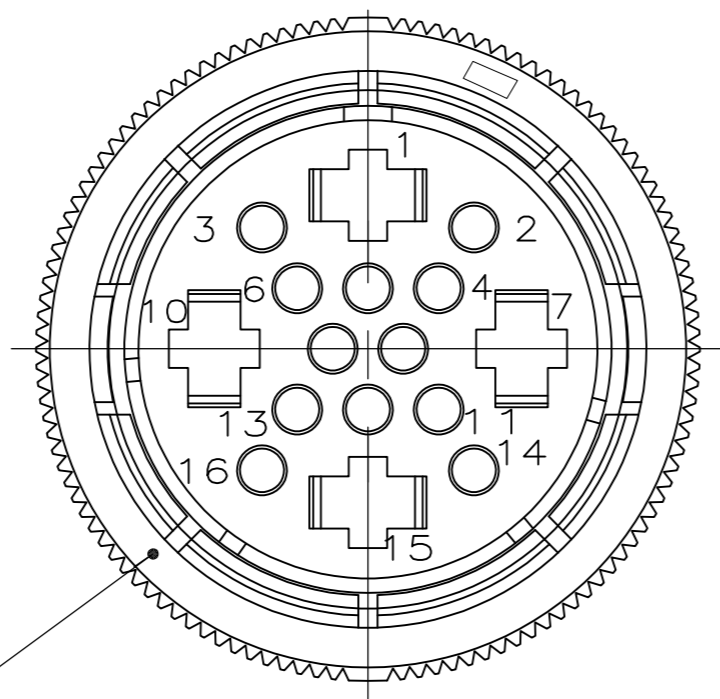
THIS DRAWING IS UNPUBLISHED. RELEASED FOR PUBLICATION  
 © COPYRIGHT - By - ALL RIGHTS RESERVED.

LOC		DIST		REVISIONS			
P	LTR	DESCRIPTION	DATE	DWN	APVD		
FT	4	G2	REVISED PER ECO-11-004820	11MAR11	RK	HMR	



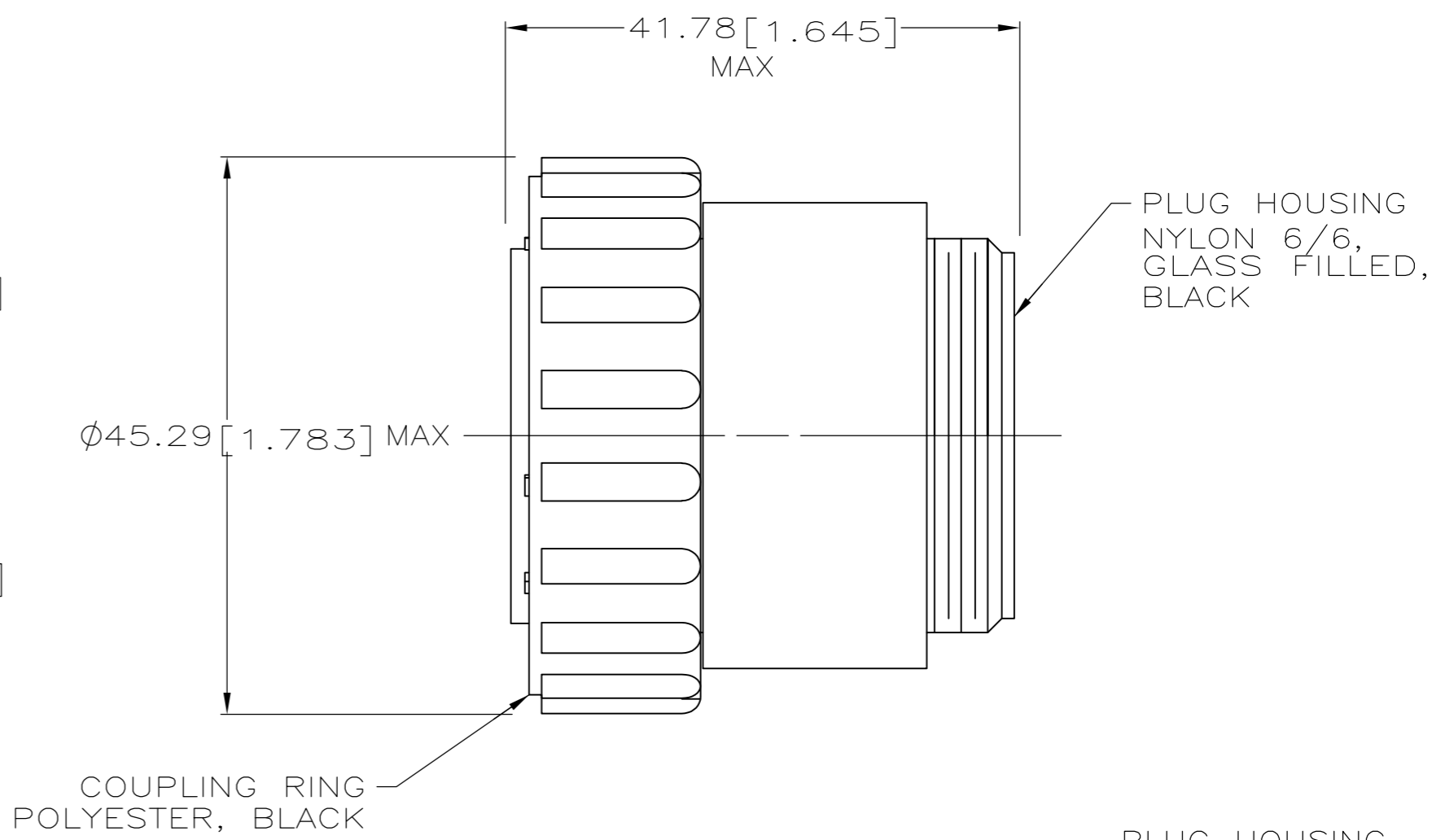
AMP PART NO  
THIS SURFACE

(-1 ONLY)



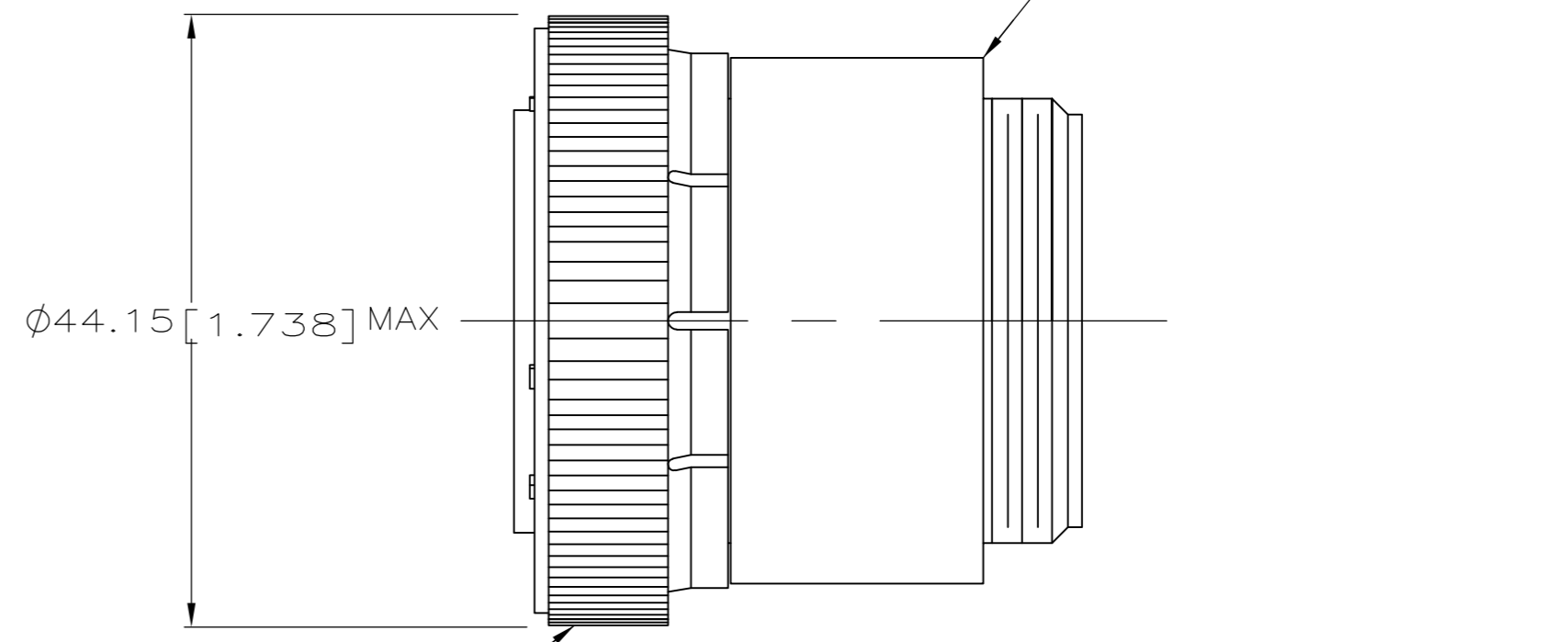
AMP PART NO  
THIS SURFACE

(-2 ONLY)



COUPLING RING  
POLYESTER, BLACK

PLUG HOUSING  
NYLON 6/6,  
GLASS FILLED,  
BLACK



COUPLING RING  
POLYPHENYLENE,  
BLACK

PLUG HOUSING  
NYLON 6/6,  
GLASS FILLED,  
BLACK

- 1 WILL ACCEPT (12) MULTIMATE & (4) TYPE XII SOCKET CONTACTS.
- 2 THIS CONNECTOR WILL ACCEPT INSULATION DIAMETERS UP TO .150.
- 3 CONTACT CAVITIES IDENTIFIED BY CHARACTERS ON FRONT AND REAR FACES OF CONNECTOR.

207485-2
207485-1
PART NUMBER

THIS DRAWING IS A CONTROLLED DOCUMENT.		DWN S. RIDGLEY BG 31 JUL 90	<b>STE</b> TE Connectivity	
DIMENSIONS: mm [INCHES]		CHK R. STONE 26 APR 91		
TOLERANCES UNLESS OTHERWISE SPECIFIED:		APVD K. BEAVER 03 APR 91	NAME	
0 PLC ± -		PRODUCT SPEC 108-10024	PLUG ASSEMBLY, SHELL SIZE 23, STANDARD SEX, SERIES 4, CPC	
1 PLC ± -		APPLICATION SPEC	SIZE A2	CAGE CODE 00779
2 PLC ± -		MATERIAL SEE CALLOUT	DRAWING NO C=207485	RESTRICTED TO -
3 PLC ± -		FINISH -	SCALE 2:1	SHEET 1 of 1
4 PLC ± -		WEIGHT -	REV G2	
4 PLG ANGLES ± -		CUSTOMER DRAWING		