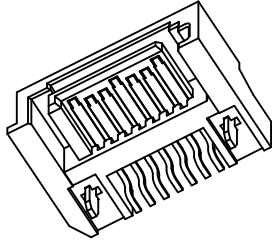
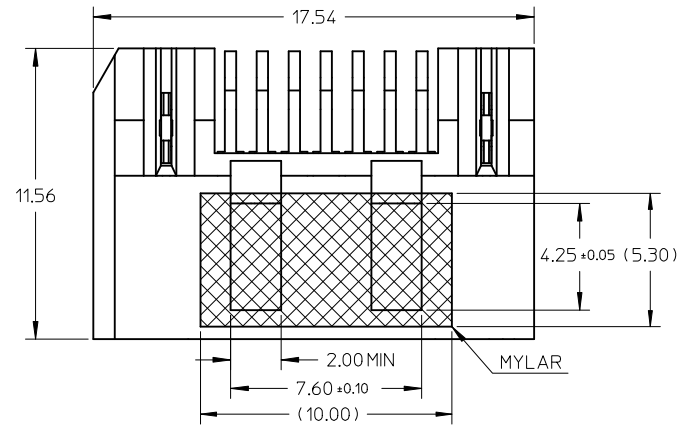


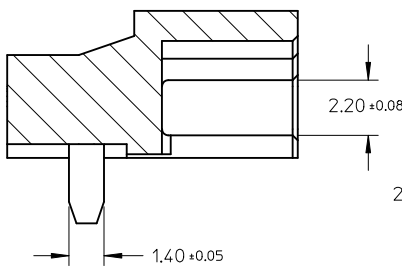
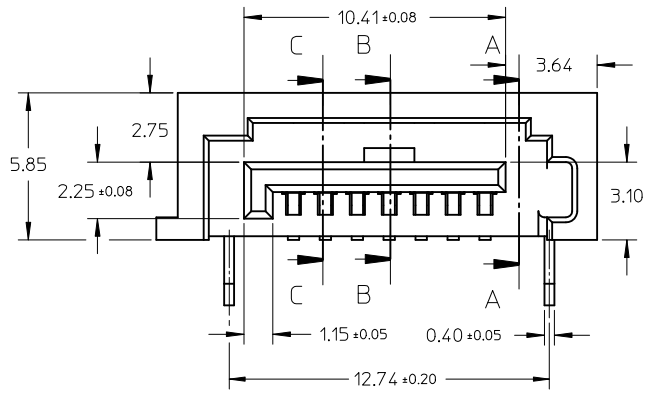
F



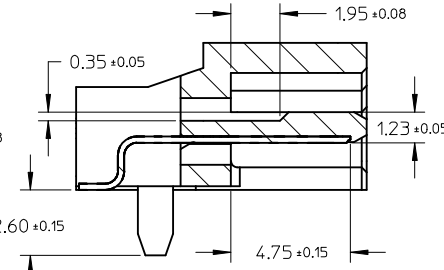
- NOTES:
- MATERIAL:
HOUSING: HIGH TEMPERATURE PLASTIC, GLASS FILLED, UL94V-0, COLOR: SEE CHART,
TERMINAL PEG: COPPER ALLOY,
MYLAR: ADHESIVE TAPE.
 - TERMINAL AND PEG PLATING:
CONTACT AREA: GOLD PLATED ON 1.25 MICRONS MINIMUM NICKEL UNDER PLATE,
REFERRED TO PLATING TYPE LIST IN TABLE;
SOLDER AREA: 1.27 MICRONS PURE TIN PLATED ON 1.25 MICRONS
MINIMUM NICKEL UNDER PLATE, REFERRED TO REMARK IN TABLE.
 - PRODUCT SPECIFICATION REFER TO PS-67490-001.
 - MATING PART: 67489.
 - PRODUCT COMPLIANT TO RoHS DIRECTIVE 2002/95/EC AND ELV 2000/53/EC.

E

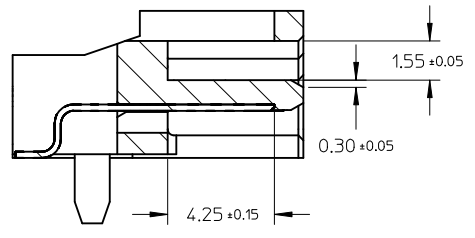
D



SECTION A-A



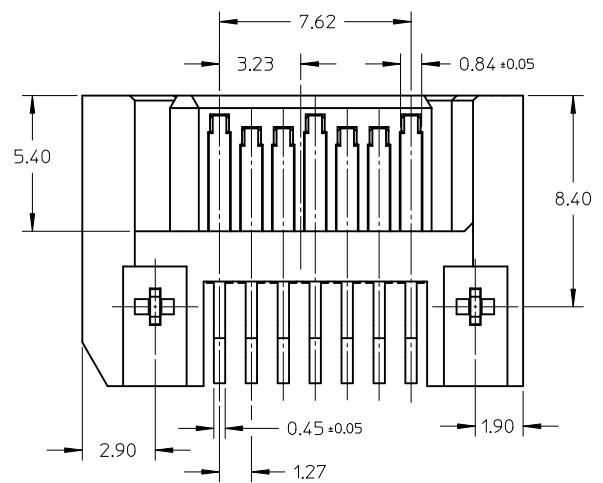
SECTION B-B



SECTION C-C

C

B



A

ADD MYLAR ON DRAWING

EC NO: SH2012-0143 2011/11/14
 DRWN: XZHZHANG 2011/11/16
 CHKD: GLLI 2011/11/16
 APPR: XJSONG 2011/11/21

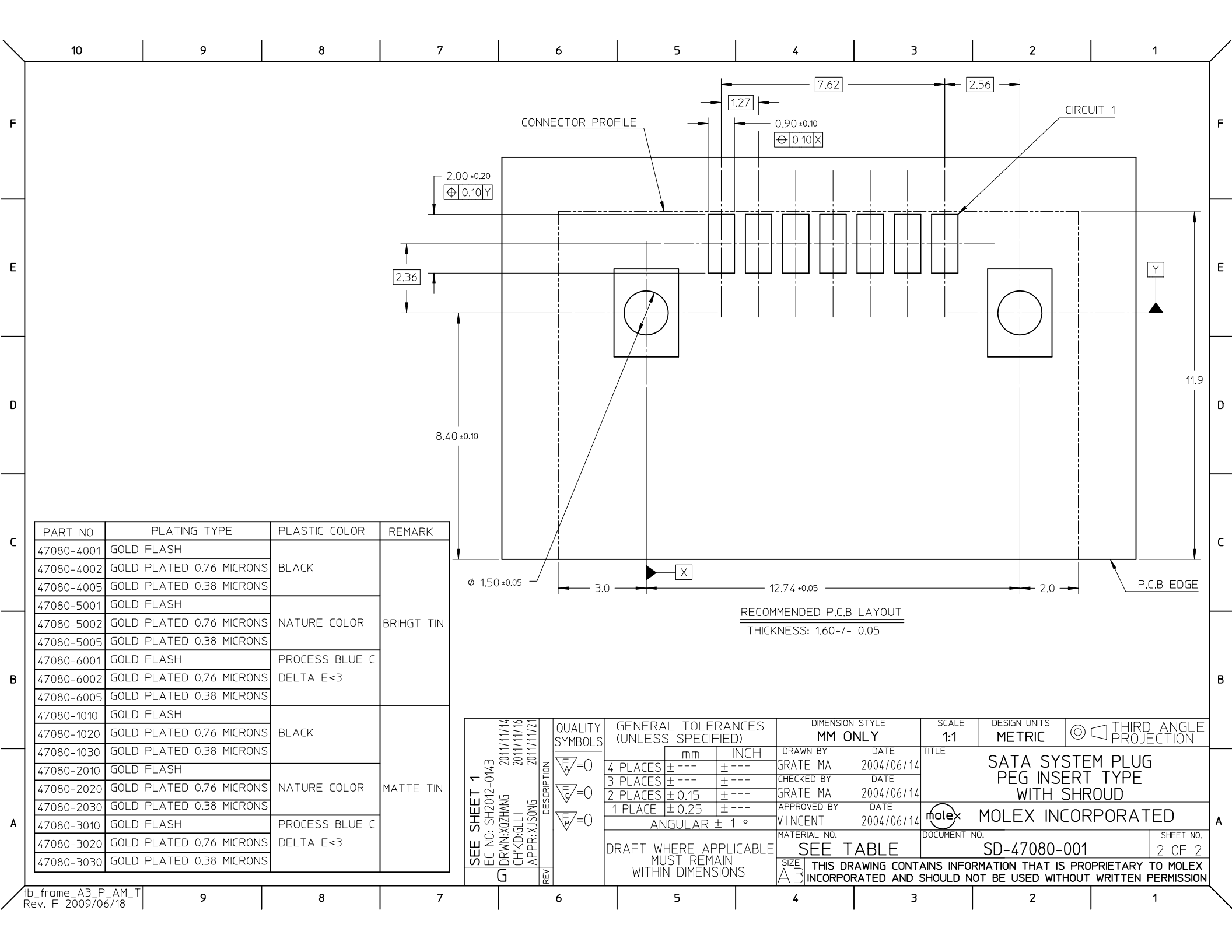
REV	DESCRIPTION	QUALITY SYMBOLS
		$F_A=0$
		$F_C=0$
		$F_B=0$

GENERAL TOLERANCES (UNLESS SPECIFIED)	
mm	INCH
4 PLACES ± ---	± ---
3 PLACES ± ---	± ---
2 PLACES ± 0.15	± ---
1 PLACE ± 0.25	± ---
ANGULAR ± 1°	

DIMENSION STYLE		SCALE		DESIGN UNITS	
MM ONLY		1:1		METRIC	
DRAWN BY	DATE	TITLE			
GRATE MA	2004/06/14	SATA SYSTEM PLUG			
CHECKED BY	DATE	PEG INSERT TYPE			
GRATE MA	2004/06/14	WITH SHROUD			
APPROVED BY	DATE	MOLEX INCORPORATED			
VINCENT	2004/06/14	DOCUMENT NO.			
MATERIAL NO.		SHEET NO.			
SEE SHEET 2		SD-47080-001			
SIZE A3		1 OF 2			

DRAFT WHERE APPLICABLE MUST REMAIN WITHIN DIMENSIONS

THIS DRAWING CONTAINS INFORMATION THAT IS PROPRIETARY TO MOLEX INCORPORATED AND SHOULD NOT BE USED WITHOUT WRITTEN PERMISSION



PART NO	PLATING TYPE	PLASTIC COLOR	REMARK
47080-4001	GOLD FLASH	BLACK	
47080-4002	GOLD PLATED 0.76 MICRONS		
47080-4005	GOLD PLATED 0.38 MICRONS		
47080-5001	GOLD FLASH	NATURE COLOR	BRIHGT TIN
47080-5002	GOLD PLATED 0.76 MICRONS		
47080-5005	GOLD PLATED 0.38 MICRONS		
47080-6001	GOLD FLASH	PROCESS BLUE C	DELTA E<3
47080-6002	GOLD PLATED 0.76 MICRONS		
47080-6005	GOLD PLATED 0.38 MICRONS		
47080-1010	GOLD FLASH	BLACK	MATTE TIN
47080-1020	GOLD PLATED 0.76 MICRONS		
47080-1030	GOLD PLATED 0.38 MICRONS		
47080-2010	GOLD FLASH	NATURE COLOR	MATTE TIN
47080-2020	GOLD PLATED 0.76 MICRONS		
47080-2030	GOLD PLATED 0.38 MICRONS		
47080-3010	GOLD FLASH	PROCESS BLUE C	DELTA E<3
47080-3020	GOLD PLATED 0.76 MICRONS		
47080-3030	GOLD PLATED 0.38 MICRONS		

SEE SHEET 1 IEC NO: SH2012-0143 DRWN:XOZHANG 2011/11/14 CH'KD:GLL 2011/11/16 APPR:XJ.SONG 2011/11/21	QUALITY SYMBOLS	GENERAL TOLERANCES (UNLESS SPECIFIED)	DIMENSION STYLE	SCALE	DESIGN UNITS	THIRD ANGLE PROJECTION
	$F_{\sigma} = 0$	4 PLACES ± --- ± ---	MM ONLY	1:1	METRIC	
	$F_{\sigma} = 0$	3 PLACES ± --- ± ---				
	$F_{\sigma} = 0$	2 PLACES ± 0.15 ± ---				
		1 PLACE ± 0.25 ± ---				
		ANGULAR ± 1°				

DRAFT WHERE APPLICABLE MUST REMAIN WITHIN DIMENSIONS	DRAWN BY GRATE MA 2004/06/14	TITLE SATA SYSTEM PLUG PEG INSERT TYPE WITH SHROUD
	CHECKED BY GRATE MA 2004/06/14	
	APPROVED BY VINCENT 2004/06/14	
	MATERIAL NO. SEE TABLE	

MOLEX INCORPORATED		SHEET NO. 2 OF 2
DOCUMENT NO. SD-47080-001		THIS DRAWING CONTAINS INFORMATION THAT IS PROPRIETARY TO MOLEX INCORPORATED AND SHOULD NOT BE USED WITHOUT WRITTEN PERMISSION