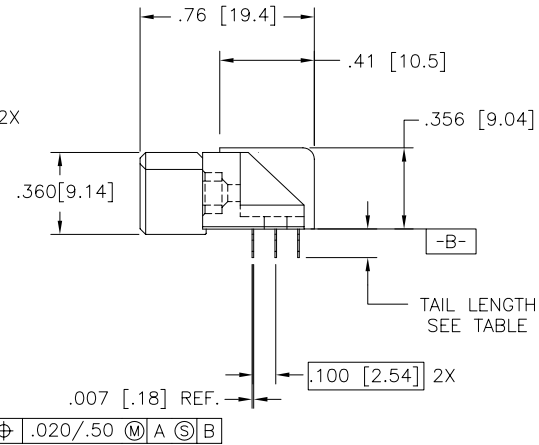
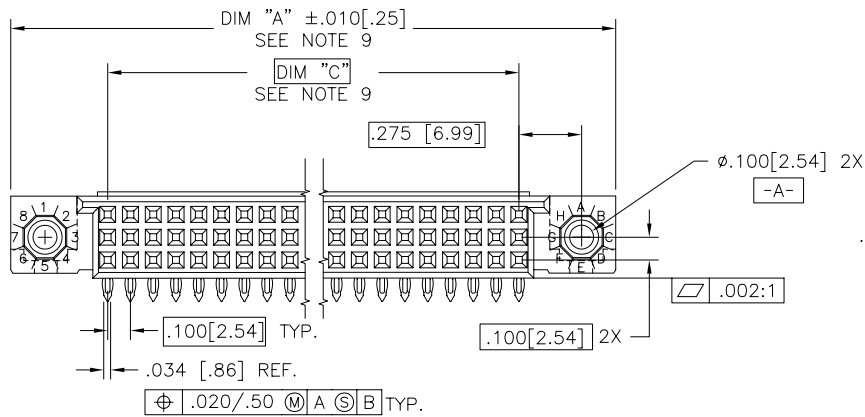
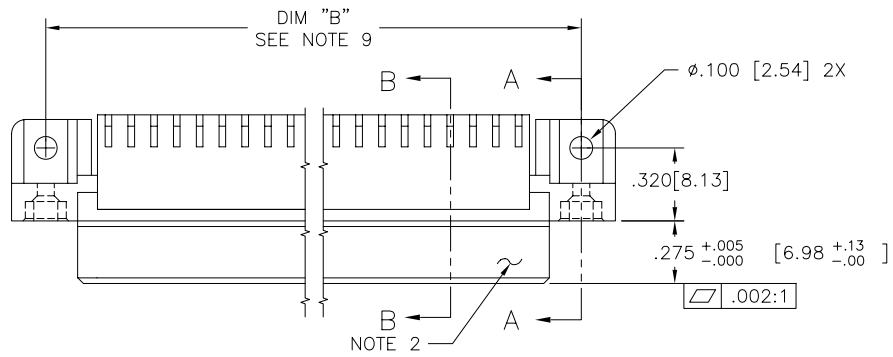


PRODUCT NUMBER
SEE TABLE

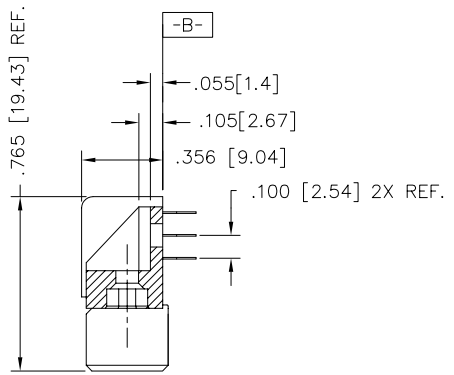


mat'l. code SEE NOTE 4		surface ISO 1302 ✓		tolerance ISO 406 ISO 1101		projection INCH/MM		product family HPC	
ltr	ecn no dr	date		tolerances unless otherwise specified		INCH/MM		title	
K	V90001	HTB	2/15/99	angles	linear	.xx±.01/.3		3 ROW R/A RECEPT. PRESS FIT, 0 GUIDE PIN	
L	V00268	JWS	1/31/00	0°±2'		.xxx±.005/.13		dwg no	
M	V10826	JRW	2/7/01			.xxxx±.0020/.051		sheet 1 of 4 size	
N	V05-0511	DAI	8/15/05	dr	G.PETERS	6/19/93		50645	
P	V05-1054	HTB	11/17/05	enrg	S.CLARK	6/19/93		A3	
R	M06-0255	MHT	7/06/06	chr	S.CLARK	6/19/93		type Product Customer Drawing	
S	M07-0099	AGS	2/08/07	appd	S.CLARK	6/19/93			
sheet	revision	S	S	S	S				
index	sheet	1	2	3	4				

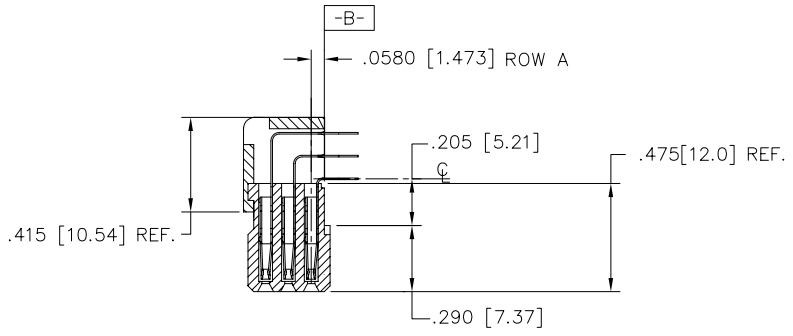


Copyright FCI

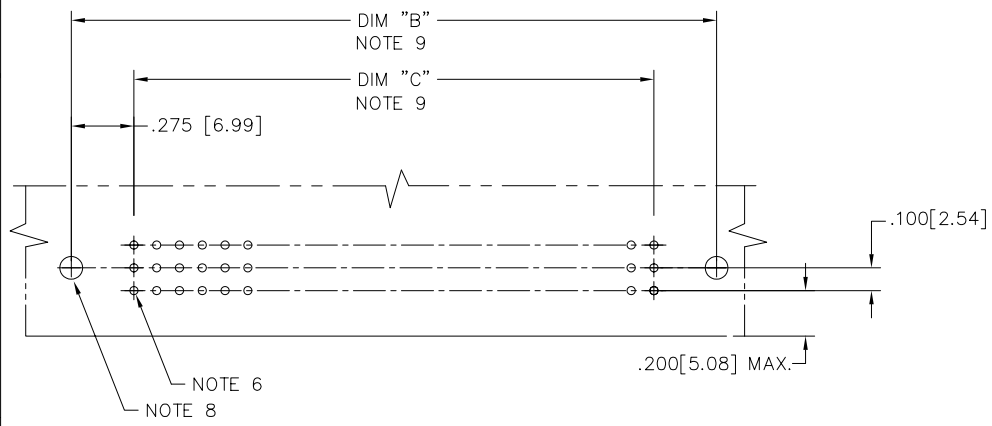
PRODUCT NUMBER
SEE TABLE



SECTION A-A



SECTION B-B



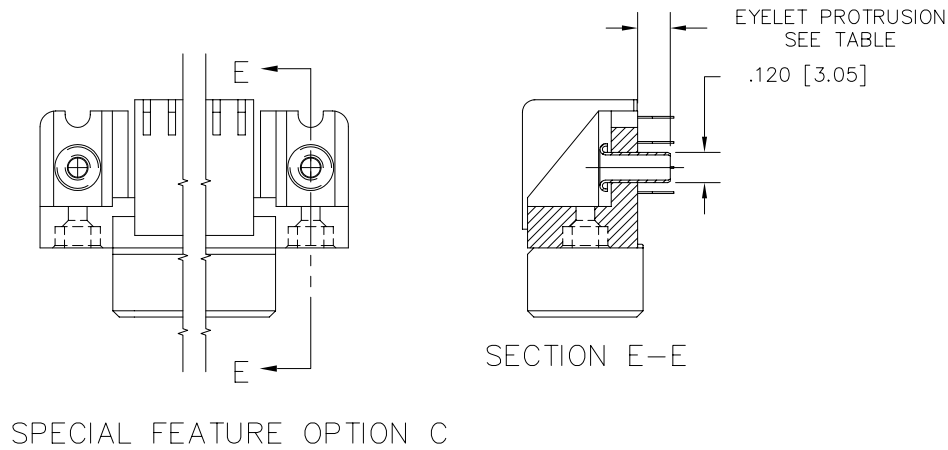
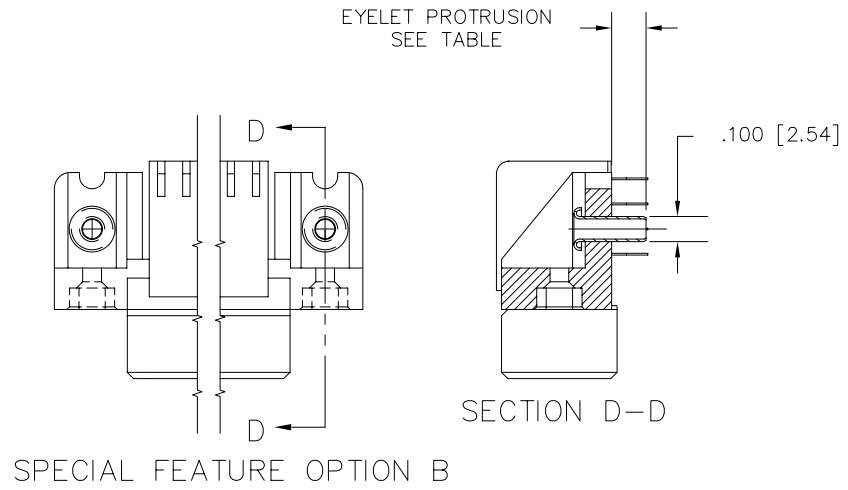
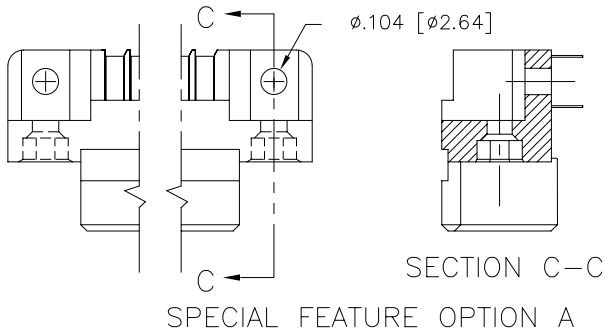
RECOMMENDED PCB LAYOUT
(ALL HOLES LOCATED ON .100 [2.54] GRID
UNLESS OTHERWISE SHOWN.)

mat'l. code SEE NOTE 4		surface ISO 1302 ✓		tolerance ISO 406 ISO 1101		projection FIRST ANGLE		product family HPC	
ltr	ecn	no	dr	date		tolerances unless otherwise specified		title	
S						angles	linear	INCH/MM	
						0°±2'	.xx±.01/.3	3 ROW R/A RECEPT. PRESS FIT, 0 GUIDE PIN	
							.xxx±.005/.13	scale 1:1	
						dr	G.PETERS	6/19/93	dwg no
						enr	S.CLARK	6/19/93	sheet 2 of 4
						chr	S.CLARK	6/19/93	size
						appd	S.CLARK	6/19/93	A3
sheet index		revision sheet						type Product Customer Drawing	



Copyright FCJ

PRODUCT NUMBER
SEE TABLE



FCJ
FCIconnect.com

Copyright FCI

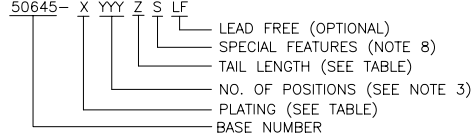
mat'l. code SEE NOTE 4		surface ISO 1302 ✓	tolerance ISO 406 ISO 1101	projection [Symbol]	product family HPC
ltr	ecm no	dr	date	tolerances unless otherwise specified	
S				angles	linear
				0°±2'	.xx±.01/.3 .xxx±.005/.13 .xxxx±.0020/.051
		dr	G.PETERS	6/19/93	INCH/MM scale 1:1
		enr	S.CLARK	6/19/93	
		chr	S.CLARK	6/19/93	
		appd	S.CLARK	6/19/93	
sheet index	revision sheet				title 3 ROW R/A RECEPT. PRESS FIT, 0 GUIDE PIN dwg no 50645 sheet 3 of 4 size A3 type Product Customer Drawing

form: A3

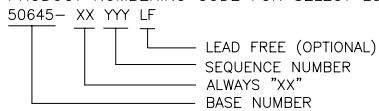
PRODUCT NUMBER NOTE 1	NUMBER OF POSITIONS NOTE 3	TAIL LENGTH ±.010/0.25	SPECIAL FEATURES SEE NOTE 8	SOLDER TAIL PLATING	CONTACT PLATING	EYELET PROTRUSION
50645-1YYYYE	YYY	.125/3.18	NONE	TIN-LEAD	30u"/.76u Au	N/A
50645-1YYYELF	YYY	.125/3.18	NONE	TIN	30u"/.76u GXT	N/A
50645-1YYYEA	YYY	.125/3.18	"A"	TIN-LEAD	30u"/.76u Au	N/A
50645-1YYYEALF	YYY	.125/3.18	"A"	TIN	30u"/.76u GXT	N/A
50645-1YYYEB	YYY	.125/3.18	"B"	TIN-LEAD	30u"/.76u Au	.137/3.48
50645-1YYYEBLF	YYY	.125/3.18	"B"	TIN	30u"/.76u GXT	.137/3.48
50645-1YYYEC	YYY	.125/3.18	"C"	TIN-LEAD	30u"/.76u Au	.115/2.92
50645-1YYYECLF	YYY	.125/3.18	"C"	TIN	30u"/.76u GXT	.115/2.92
50645-1YYYYF	YYY	.145/3.68	NONE	TIN-LEAD	30u"/.76u Au	N/A
50645-1YYYYFLF	YYY	.145/3.68	NONE	TIN	30u"/.76u GXT	N/A
50645-1YYYYFA	YYY	.145/3.68	"A"	TIN-LEAD	30u"/.76u Au	N/A
50645-1YYYYFALF	YYY	.145/3.68	"A"	TIN	30u"/.76u GXT	N/A
50645-1YYYYFC	YYY	.145/3.68	"C"	TIN-LEAD	30u"/.76u Au	.170/4.32
50645-1YYYYFCLF	YYY	.145/3.68	"C"	TIN	30u"/.76u GXT	.170/4.32

NOTES:

①. PRODUCT NUMBERING CODE



PRODUCT NUMBERING CODE FOR SELECT LOAD



- ②. MANUFACTURE'S LOGO, PART NUMBER, AND LOT CODE TO APPEAR ON THIS SURFACE.
- ③. THIS PRODUCT IS CONFIGURED IN SIZES OF 6 THRU 80 COLUMNS IN INCREMENTS OF ONE, i.e. 6, 7, 8, 9,79, 80.
- ④. MATERIAL: PRESS BLOCK - HIGH TEMP THERMOPLASTIC HOUSING: GLASS AND MINERAL FILLED HIGH TEMPERATURE THERMOPLASTIC, FLAME RETARDANT PER UL94V-0. COLOR-BLACK CONTACT: BeCu
- 5. PLATING:
CONTACT AREA: 30μ"/0.76 μm Au OR 30μ"/0.76μm GXT (FOR LEAD-FREE OPTION)
TAILS: EITHER TIN OR TIN LEAD, SEE TABLE.
- ⑥. DRILLED HOLE DIA OF .0453±.0010 [1.151±0.025] FINISHED TO .0400±.0030 [1.016±0.076] BY PLATING SnPb OR OTHER PLATING .0003 [0.008] TO .0006 [0.015] THICK WITH A COPPER UNDERPLATE AS NEEDED.
- 7. INFORMATION DOCUMENT: FOR PCB STAY-AWAY ZONE, SEE TA-0954.

⑧. SPECIAL FEATURES:

- = IF NO SPECIAL FEATURE CODE IS SELECTED, CONNECTOR WILL APPEAR AS SHOWN. PCB MOUNTING HOLE DIMENSION TO BE $\phi.120\pm.003$ [3.05±0.07]
- "A" = IF SPECIFIED, CONNECTOR WILL APPEAR AS SHOWN ON SHEET 3. PCB MOUNTING HOLE DIMENSION TO BE $\phi.100\pm.003$ [2.54±0.07].
- "B" = IF SPECIFIED, CONNECTOR WILL HAVE PRE-INSTALLED EYELET FOR P.C.B. ATTACHMENT IN A $\phi.100\pm.003$ [2.54±0.07] MOUNTING HOLE. SEE SHEET 3. (AVAILABLE IN "E" TAIL LENGTH. ONLY).
- "C" = IF SPECIFIED, CONNECTOR WILL HAVE PRE-INSTALLED EYELET FOR P.C.B. ATTACHMENT IN A $\phi.120\pm.003$ [3.05±0.07] MOUNTING HOLE. SEE SHEET 3.

- ⑨. DIMENSION "A" CALCULATION = $.100 (2.54) \times \text{NO. OF COLUMNS} + .75 (19.1)$
DIMENSION "B" CALCULATION = $.100 (2.54) \times \text{NO. OF COLUMNS} + .450 (11.43)$
DIMENSION "C" CALCULATION = $.100 (2.54) \times \text{NO. OF COLUMNS} - .100 (2.54)$

- 10. ALL POSITIONS ARE LOADED EXCEPT FOR -XXXXY ASSEMBLIES WHICH HAVE SELECTIVE LOADING.
- 11. THIS PRODUCT (WITH "LF" SUFFIX) MEETS EUROPEAN UNION DIRECTIVES AND OTHER COUNTRY REGULATIONS AS DESCRIBED IN GS-22-008.
- 12. THIS HOUSING WILL WITHSTAND EXPOSURE TO 260°C PEAK TEMPERATURE FOR 10-30 SECONDS IN A CONVECTION, INFRA-RED OR VAPOR PHASE REFLOW OVEN.

mat'l. code SEE NOTE 4		surface ISO 1302 ✓	tolerance ISO 406 ISO 1101	projection 	product family HPC
ltr	ecn	no	dr	date	tolerances unless otherwise specified
S					angles linear .xx±.01/.3 INCH/MM
					0°±2' .xxx±.005/.13
					.xxx±.0020/.051 scale 1:1
		dr	G.PETERS	6/19/93	
		enr	S.CLARK	6/19/93	
		chr	S.CLARK	6/19/93	
		appd	S.CLARK	6/19/93	
sheet index	revision sheet				
title 3 ROW R/A RECEPT. PRESS FIT, 0 GUIDE PIN					dwg no 50645
scale 1:1					sheet 4 of 4
type Product Customer Drawing					A3