



FEATURES

- Low noise
- Small size
- High sensitivity

DESCRIPTION

The **SD 394-70-74-661** module Incorporates a 10mm cooled APD, TEC controller, HV supply, and two stage preamplifier, in a small package

APPLICATIONS

- Industrial
- Medical

ABSOLUTE MAXIMUM RATING* (TA)= 23°C UNLESS OTHERWISE NOTED

SYMBOL	PARAMETER	MIN	MAX	UNITS
+/- 12 V _S	Voltage Supplies	+/-11	+/-13	V
+5 V _S		+4.75	+5.25	
T _{STG}	Storage Temperature	-40	+70	°C
T _O	Operating Temperature	0	+40	°C

ELECTRIC WIRING TABLE

WIRE COLOR	ITEM
Red	+12V
Green	GND
Black	-12V
Blue**	External Bias Adjust Input
Orange	HV Monitor
Violet	Temperature Monitor
Gray	Temperature Monitor GND
Yellow	+5V
White	GND for +5V Supply

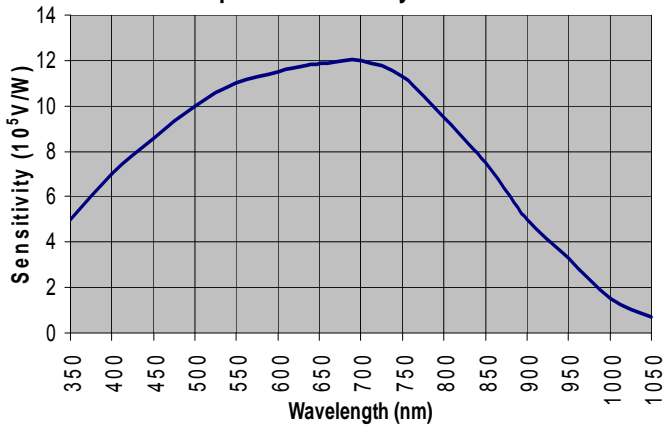
*All specifications apply when APD is at 0°C with a gain of 300 and a load resistance of 50 ohms. Typical HV divider Ratio and voltage gain is 404.
Recommended load on amplifier output is from 50ohms to 1Mohm.
Devices must be mounted to a heat sink with TEC on.
**To activate the external bias control (Blue wire), turn the gain adjust fully counter clockwise and place a jumper across J1 the external bias select connector. Input voltage on Blue wire 0 to 5 volts. The module must be operated with a heat sink.

***ELECTRO-OPTICAL CHARACTERISTICS RATING** (TA)= 23°C UNLESS OTHERWISE NOTED

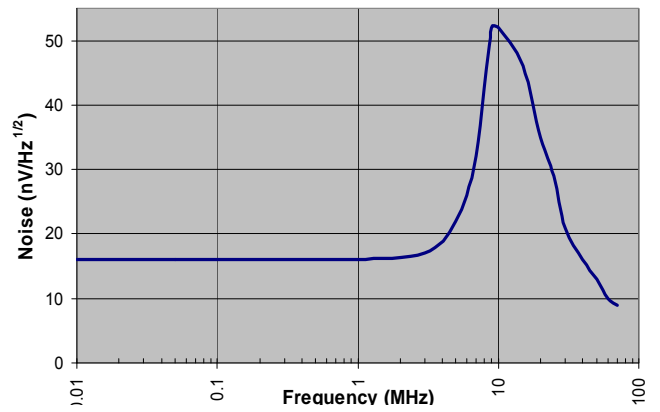
SYMBOL	CHARACTERISTIC	TEST CONDITIONS	MIN	TYP	MAX	UNITS
I _s	Current Supply	+12V supply	120		220	mA
		-12V supply	30		50	mA
		+5V supply	0.8		1.9	A
V _{os}	Output Offset			±1	±5	mV
λ range	Spectral Application Range	Spot Scan	350		1050	nm
S	Sensitivity	f = 1MHz, λ = 500nm		9.5		10 ⁵ V/W
NEP	Noise Equivalent Power	f = 1MHz, λ = 500nm		16.8 x 10 ⁻¹⁵		W/√Hz
R _o	Output resistance			50		ohms
f _{cut}	High Cutoff Frequency	λ = 675 nm	10	11		MHz

Information in this technical datasheet is believed to be correct and reliable. However, no responsibility is assumed for possible inaccuracies or omission. © 2013 Advanced Photonix, Inc. All rights reserved. Specifications and output data subject to change without notice.

Spectral Sensitivity @ Gain 300

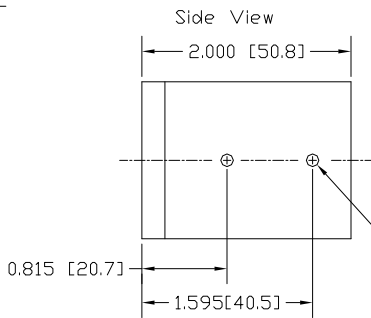
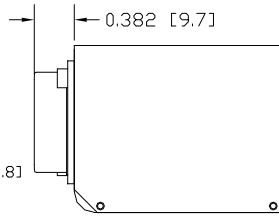
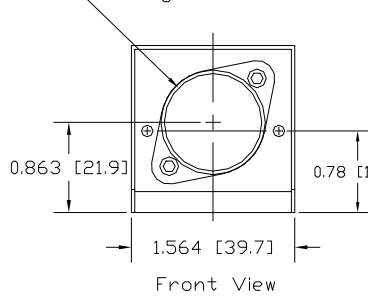


Dark Output Noise @ Gain 300

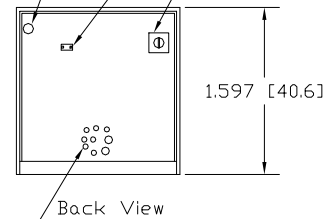


Mechanical Dimension in inches

10 mm dia. APD
Package 0.970 [24.6] Dia.



3.5 inch long RG188A/U coax with male BNC
External Bias Select
Gain Adjust



Power, External bias adjust input and Monitor wires (see wiring table)
All wires are 2ft long

2X 4-40 2B X 1/4 Deep Holes