

THIS DRAWING IS UNPUBLISHED.

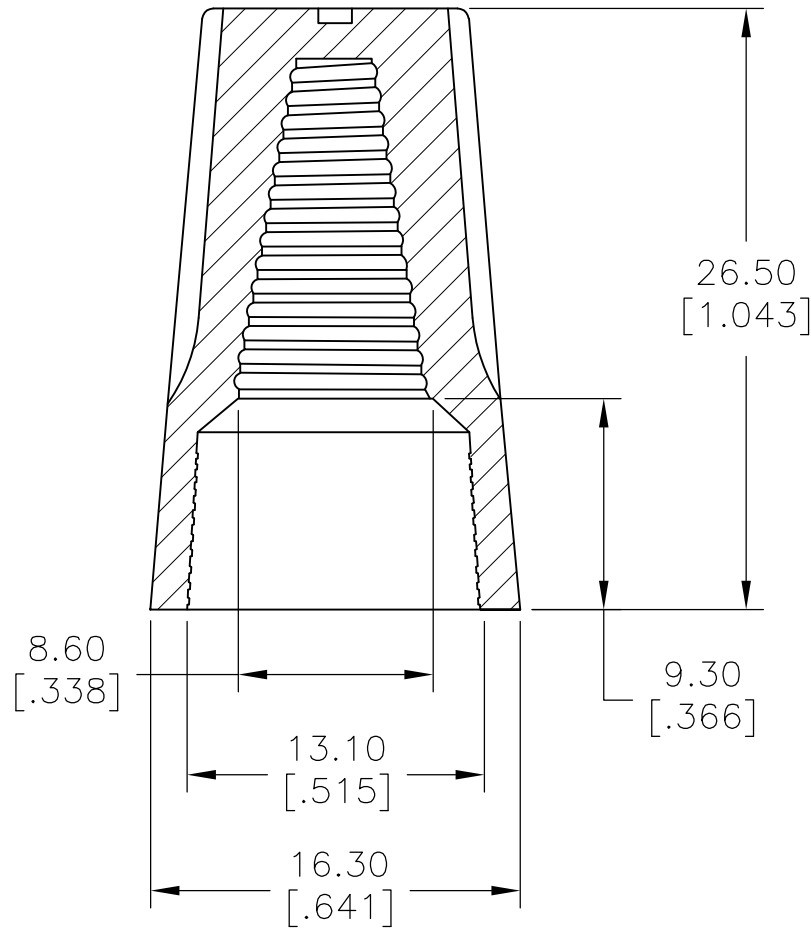
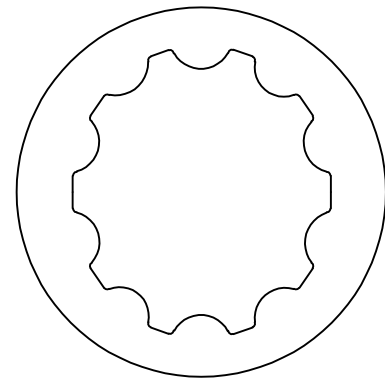
RELEASED FOR PUBLICATION

ALL RIGHTS RESERVED.

© COPYRIGHT - By -

REVISIONS

P	LTR	DESCRIPTION	DATE	DWN	APVD
	A	NEW DRAWING	21JAN2016	NK	RH



- 1 WORKING TEMPERATURE: 105° C
- 2 VOLTAGE: 300V/600V MAX
- 3 COLOR: RED
- 4 WIRE RANGE: #22-#10AWG MAX.2#10 SOL W/2#12 STR MIN.3#18
- 5 SPRING INSERT: STEEL

2299504-1 AS SHOWN

THIS DRAWING IS A CONTROLLED DOCUMENT.		DWN NAGALAKSHMI K 21JAN2016	TE Connectivity				
DIMENSIONS: mm [INCHES]		CHK HILL RYAN 21JAN2016					
		APVD HILL RYAN 21JAN2016	NAME				
TOLERANCES UNLESS OTHERWISE SPECIFIED: 0 PLC ± - 1 PLC ± 0.2[.007] 2 PLC ± 0.4[.015] 3 PLC ± - 4 PLC ± - ANGLES ± -		PRODUCT SPEC -	CPGI-WC-WG-RD-BULK				
MATERIAL TOUGH THERMOPLASTIC UL 94V-2 FLAME-RETARDANT		FINISH -	APPLICATION SPEC -	SIZE A3	CAGE CODE 00779	DRAWING NO C-2299504	RESTRICTED TO -
CUSTOMER DRAWING			WEIGHT -	SCALE 3:1	SHEET 1 OF 1	REV A	