

KSJ Series Spherical Actuator Tact Switches

Features/Benefits

- Spherical actuator allows actuation force off center $\pm 30^\circ$ with regard to vertical
- Total travel 1.6 mm
- Sealed against flux

Typical Applications

- Automotive
- Cranes, off road, railway
- Factory automation
- Security systems



Tactile Switches

Specification

FUNCTION: Momentary action
 CONTACT ARRANGEMENT: 1 make contact = SPST, N.O.
 DISTANCE BETWEEN BUTTON CENTERS (min.): 7.62 (0.300)
 TERMINALS: PC pins

Environmental

	Silver	Gold
OPERATING TEMPERATURE:	-40°C to 90°C	-40°C to 125°C
STORAGE TEMPERATURE:	-40°C to 85°C	-55°C to 125°C

Packaging

Delivered in boxes of 500 pieces.

Mechanical

Type	Actuation force N (grams)	Operating life (operations) axial	Operating life (operations) radial	Travel to make
KSJ0M211	2.0 (200)	100,000	30,000	0,7 \pm 0,25
KSJ0M411	3.0 (300)	100,000	30,000	0,55 \pm 0,25

Electrical

	Silver	Gold
MAXIMUM POWER:	1 VA	0.2 VA
MAXIMUM VOLTAGE:	50 VDC	50 VDC
MINIMUM VOLTAGE:	20 mV	20 mV
MAXIMUM CURRENT:	50 mA	50 mA
MINIMUM CURRENT:	1 mA	1 mA

DIELECTRIC STRENGTH (50 Hz, 1 min.): ≥ 300 Vrms
 CONTACT RESISTANCE: ≤ 50 m Ω
 INSULATION RESISTANCE (100V): $> 10^{11}$ Ω
 BOUNCE TIME: < 1 ms

Process

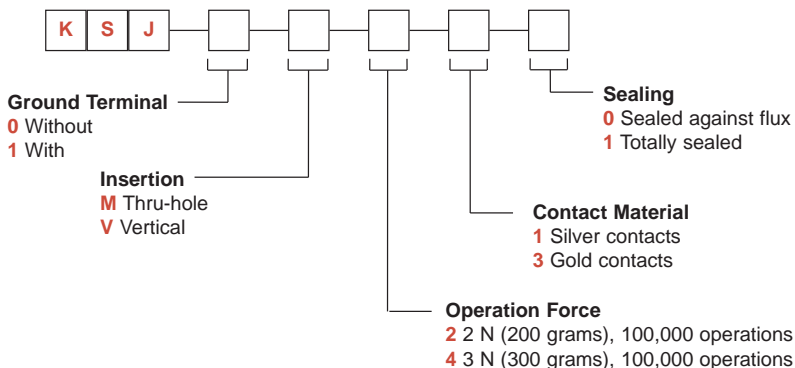
SOLDERING: Protected against flux and is compatible with the following soldering processes:

- Fluxing of PCB bottom side
- Preheating at 85°C
- Wave soldering (Tin/Lead 40-60) 250°C for 2 sec.
- Cooling down to ambient temperature.
- Eventual cleaning by brushing on soldered side. TMS Freon to be avoided.

NOTE: Part numbers listed above do not represent all possible configurations. For information on specific and custom switches, consult Customer Service Center.

How To Order

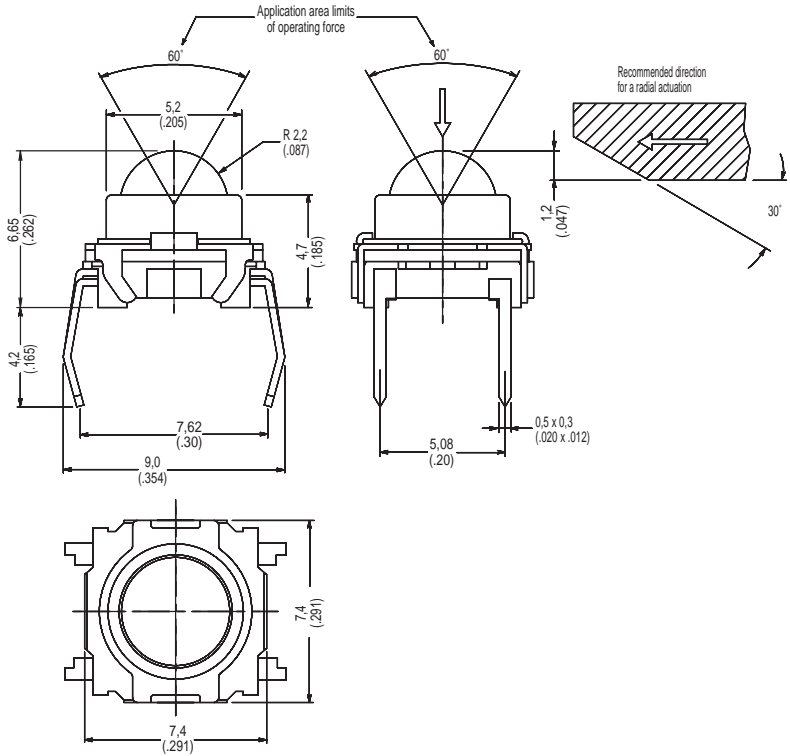
Our easy build-a-switch concept allows you to mix and match options to create the switch you need. To order, select desired option from each category and place it in the appropriate box.



KSJ Series Spherical Actuator Tact Switches

SERIES

KSJ



KSJ0M211



B
Tactile Switches

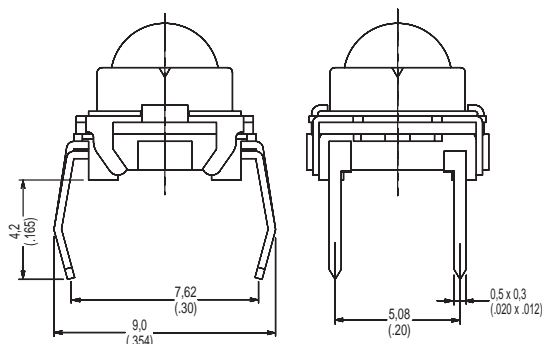
GROUND TERMINAL

- 0** WITHOUT
- 1** WITH

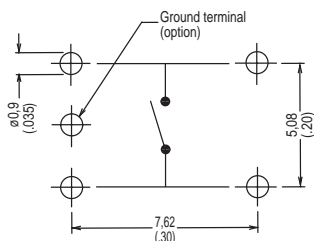
KSJ Series Spherical Actuator Tact Switches

INSERTION

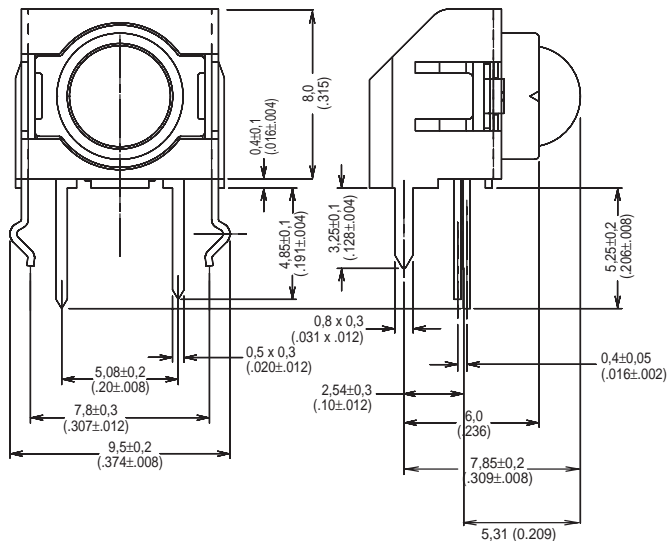
M THRU-HOLE



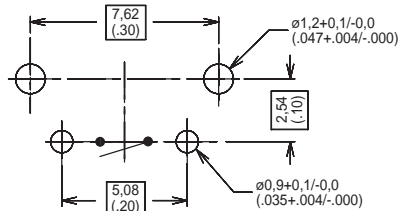
PCB LAYOUT



V VERTICAL



PCB LAYOUT



OPERATING FORCE

OPTION CODE	OPERATING FORCE
2	2 N (200 grams)
4	3 N (300 grams)

CONTACT MATERIAL

OPTION CODE	CONTACT MATERIAL
1	Silver contacts
3	Gold contacts

SEALING

OPTION CODE	SEALING
0	Sealed against flux
1	Totally sealed