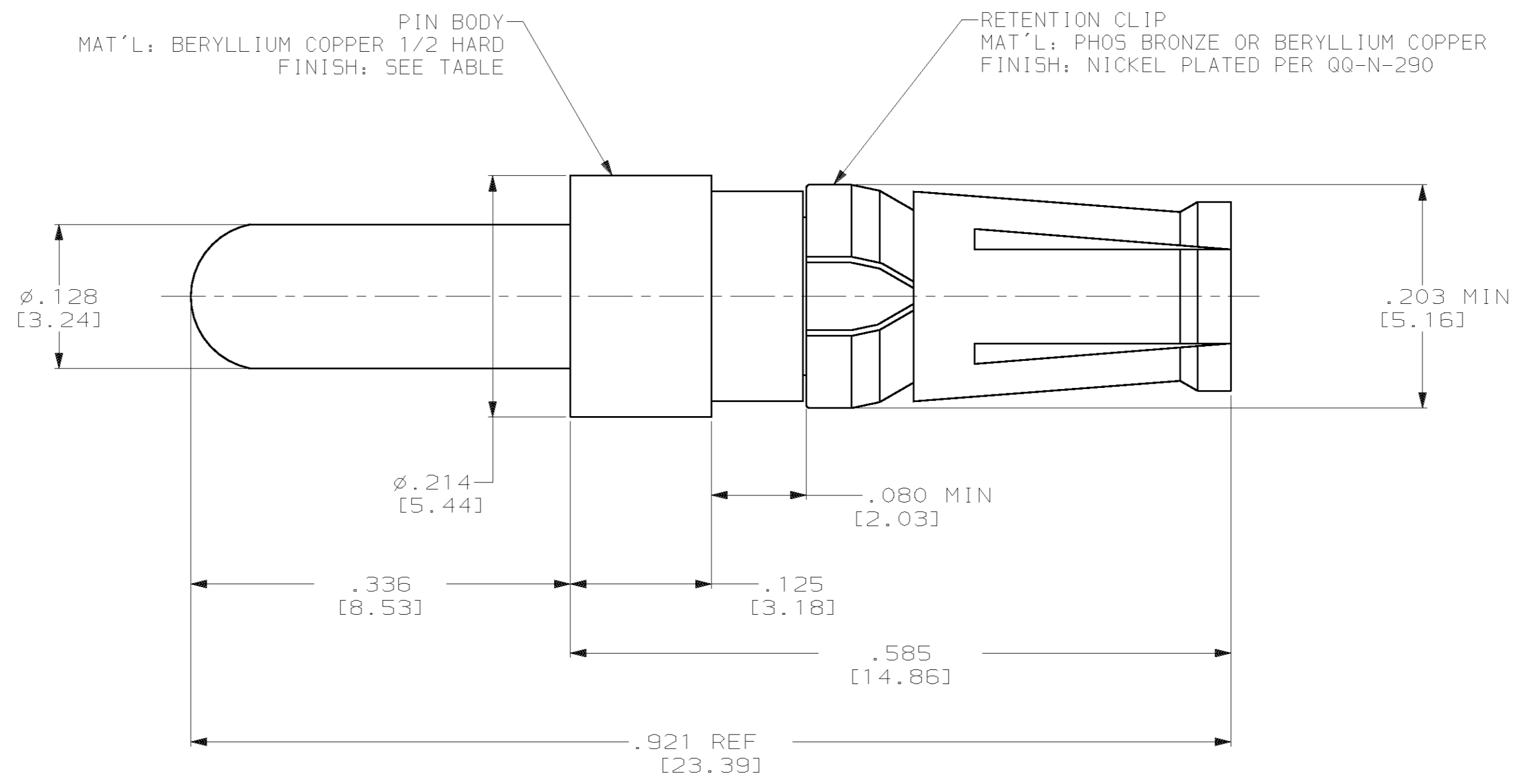


THIS DRAWING IS UNPUBLISHED. RELEASED FOR PUBLICATION .19 .  
 © COPYRIGHT 19 BY AMP INCORPORATED. ALL RIGHTS RESERVED.

LOC	DIST	REVISIONS					
DF	DO	P	LTR	DESCRIPTION	DATE	DWN	APVD
		C		REV PER 063D-0012-01	7-03	CT	DM



PRELIMINARY NOT RELEASED FOR PRODUCTION	$\triangle 2$	445798-2
	$\triangle 1$	445798-1
	FINISH	PART NUMBER

- 1 FINISH: PLATED GOLD .000050 [0.00127] MIN THK PER MIL-G-45204 OVER NICKEL .000050 [0.00127] MIN THK PER QQ-N-290.
- 2 FINISH: PLATED GOLD .000030 [0.00076] MIN THK PER MIL-G-45204 OVER NICKEL .000050 [0.00127] MIN THK PER QQ-N-290.
- 3. MATES WITH ANY POWER VIII PIN CONTACT.

THIS DRAWING IS A CONTROLLED DOCUMENT.		DWN	C.C. THOMAS	11/10/00
DIMENSIONS: INCHES [mm]		CHK	D. MILLER	11/10/00
TOLERANCES UNLESS OTHERWISE SPECIFIED:		APVD	D. MILLER	11/10/00
0 PLC $\pm$		PRODUCT SPEC	NAME	
1 PLC $\pm$		APPLICATION SPEC	ASSEMBLY, SOCKET CONTACT	
2 PLC $\pm$		WEIGHT	SIZE	
3 PLC $\pm .005$ [0.13]		CUSTOMER DRAWING	CAGE CODE	
4 PLC $\pm$		SCALE	DRAWING NO	
ANGLES $\pm$		10:1	A2 00779 C- 445798	
SEE CALLOUTS		SHEET	RESTRICTED TO	
SEE TABLE		1 OF 1	-	
		REV	C	