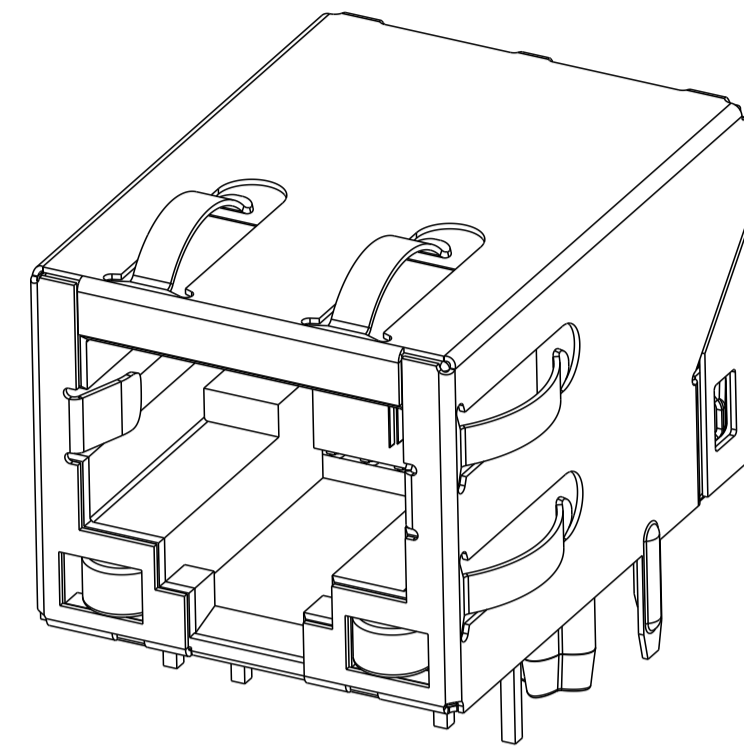
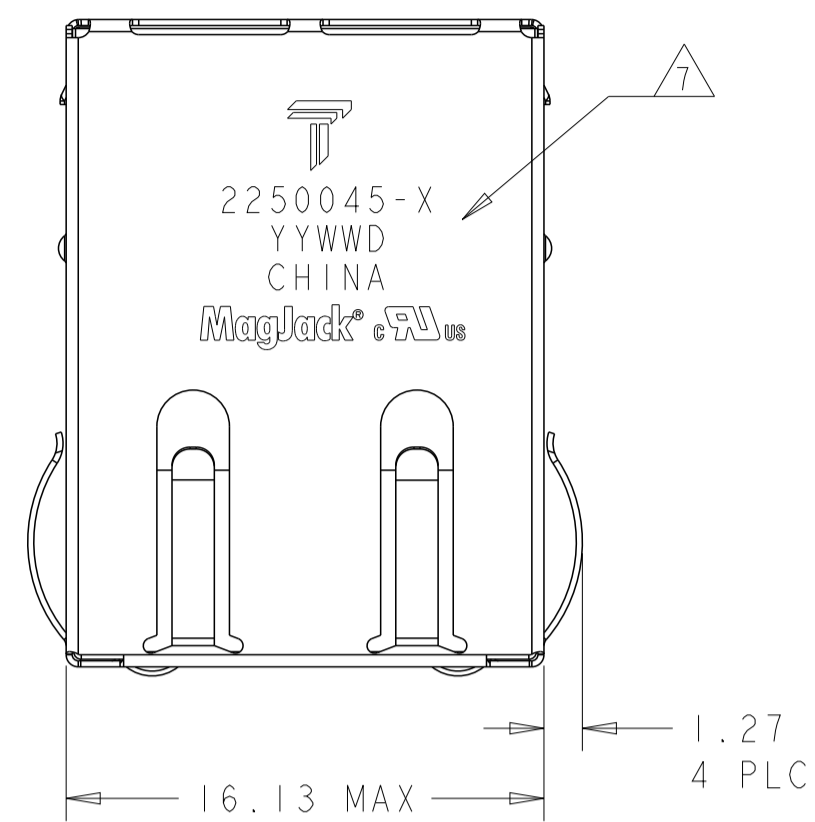


THIS DRAWING AND THE SUBJECT MATTER SHOWN THEREON ARE CONFIDENTIAL AND THE PROPERTY OF BEL/STEWART/TRP CONNECTOR AND SHALL NOT BE REPRODUCED, COPIED, OR USED IN ANY MANNER WITHOUT THE WRITTEN CONSENT OF TRP CONNECTOR.

PRODUCT MAY BE PROTECTED BY ONE OR MORE OF THE FOLLOWING US PATENTS:
 5736910 5939955 6425781 6428361 6554638 6840817 7123117
 7429195 7717749 7808751 6217391 6149050 7924130

REVISIONS				
P	LTN	DESCRIPTION	DATE	OWN APVD
2		SEE LAST SHEET	14JAN2015	RL TY



1. MATERIALS
- HOUSING: THERMOPLASTIC, FLAMMABILITY RATING UL 94V-0.
 - SHIELD: BRASS 0.20mm THICK, PREPLATED WITH 0.76um MIN SEMI-BRIGHT NICKEL. SOLDER TABS POST DIPPED WITH 2.54um MIN SAC SOLDER.
 - CONTACTS: PHOSPHOR BRONZE 0.46mm X 0.30mm, PHOSPHOR BRONZE, 1.27um MIN NICKEL UNDERPLATE, WITH 1.27um MIN GOLD PLATING AT MATING INTERFACE AND 2.54um MIN MATTE TIN ON SOLDER TAILS.
 - SOLDER TAILS: 0.25mm THICK, PHOSPHOR BRONZE, 1.27um MIN OVERALL NICKEL UNDERPLATE, 3um TIN PLATE
 - LIGHT EMITTING DIODE (LED): DIFFUSED EPOXY LENS, 0.5mm X 0.5mm CARBON STEEL WIREFRAME LEADS PREPLATED WITH 2.03um MIN. SILVER PLATE OVER 1.02um MIN. NICKEL OVER 1.02um MIN. COPPER UNDERPLATE; LEADS POST-PLATED WITH 3.05um MIN. MATTE TIN AND/OR SAC SOLDER DIP OR PURE TIN SOLDER DIP

2. RJ45 JACK CAVITY CONFORMS TO FCC RULES AND REGULATIONS PART 68 SUB PART F.

3. MAGNETICS
- APPLICATION: 10/100 BASE-T, EXTENDED TEMPERATURE
 - IMPEDANCE: 100 OHMS
 - TURNS RATIO (CHIP:CABLE): TX = 1:1, RX = 1:1
 - OPEN CIRCUIT INDUCTANCE (OCL): 350uH MIN @100kHz, 0.1VRMS, 8mADC BIAS FROM -40°C TO +85°C, TX AND RX
 - PERFORMANCE @ 25°C:
 - INSERTION LOSS (IL): 1.1dB MAX FROM 0.5MHz TO 100MHz
 - RETURN LOSS (RL): 18dB MIN FROM 0.5MHz TO 30MHz
 - 18-20LOG(f/30)dB MIN FROM 30.1MHz TO 60MHz
 - 12dB MIN FROM 60.1MHz TO 80MHz
 - CROSSTALK ATTENUATION: 35dB MIN FROM 0.5MHz TO 40MHz
 - 33-20LOG(f/50)dB MIN FROM 40.1MHz TO 100MHz
 - COMMON MODE REJECTION RATIO (CMRR): 30dB MIN FROM 0.5MHz TO 100MHz
 - ISOLATION VOLTAGE: 2250VDC FOR 60 SECONDS WITH A RISE TIME OF 500 V/SEC

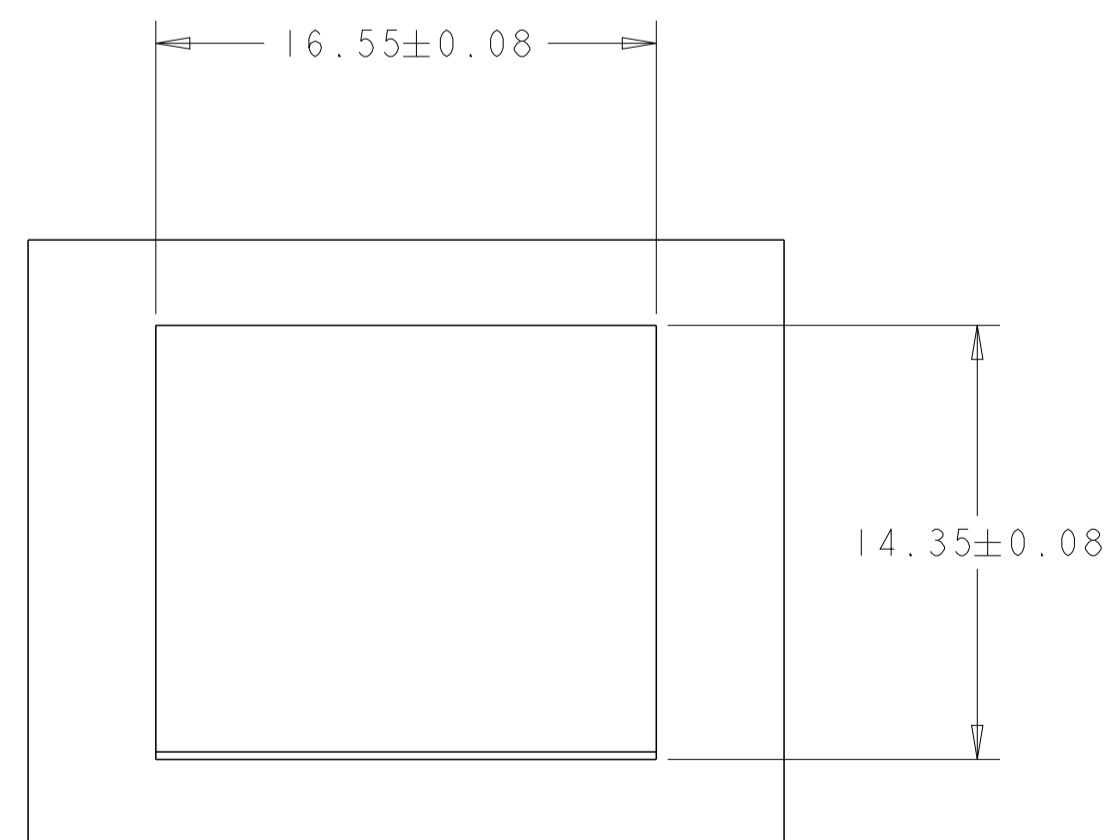
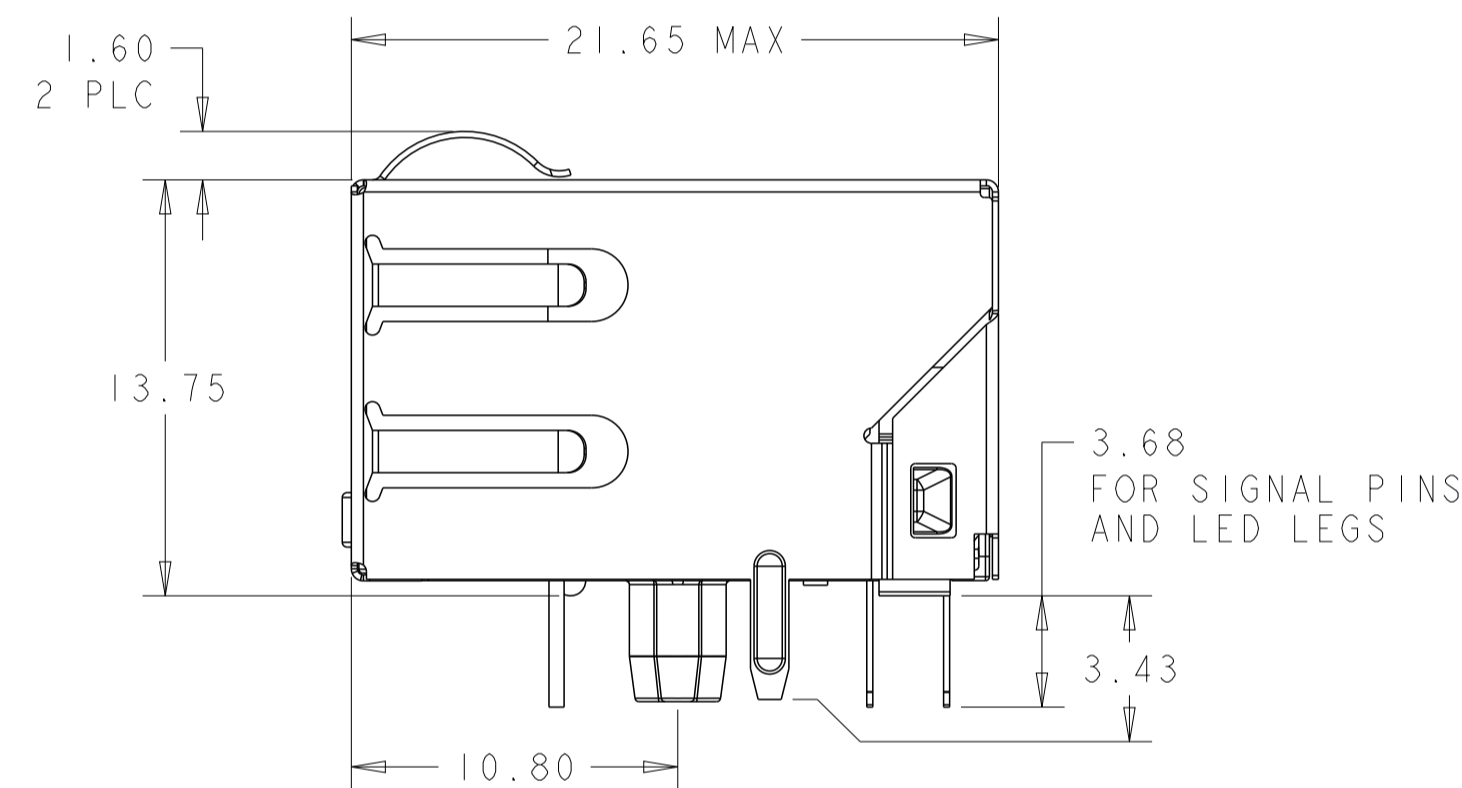
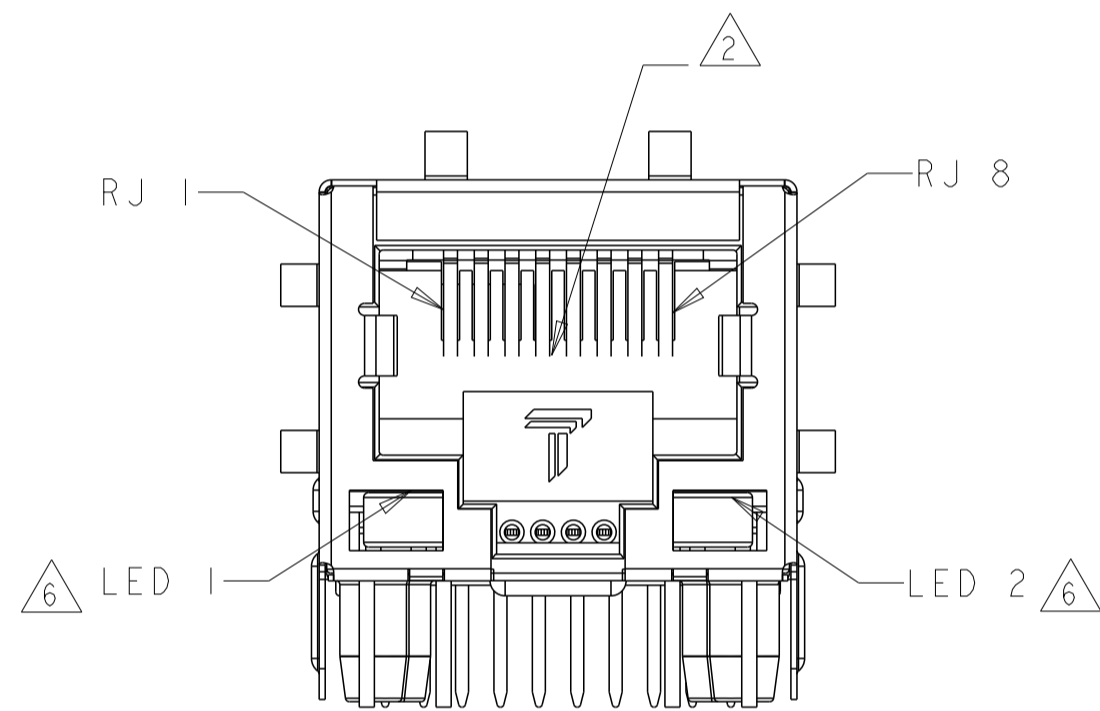
4. OPERATING TEMPERATURE: FROM -40°C TO +85°C.

5. INDICATED MAGNETIC CONNECTIONS ARE SYMMETRICAL TO SUPPORT AUTO-MDI/MDIX.

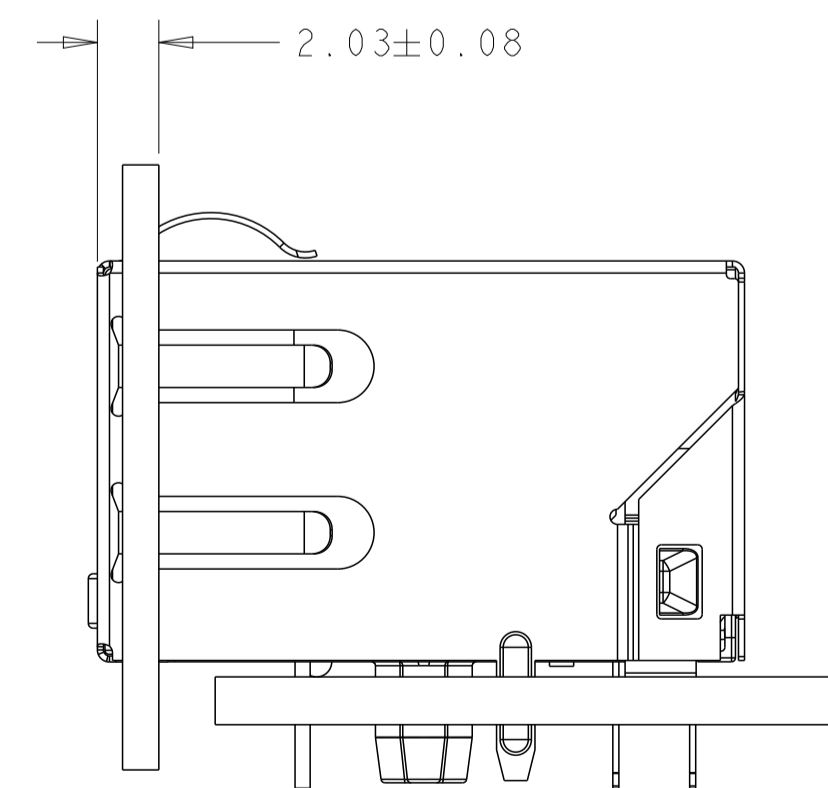
6. LEDS WITH BUIL-IN 250 OHM RESISTORS. LEDS ARE DRIVEN WITH 5V VOLTAGE AND THE MAX OPERATING CURRENT IS 20mA
 LED COLOR: DOMINATE WAVELENGTH (λD): GREEN 568 nm TYP. @ VF=5V
 FORWARD CURRENT (IF): GREEN 12mA TYP @ VF = 5V
 DOMINATE WAVELENGTH (λD): YELLOW 588 nm TYP. @ VF=5V
 FORWARD CURRENT (IF): YELLOW 13mA TYP @ VF = 5V

7. TRP CONNECTOR LOGO, PART NUMBER, DATE CODE, COUNTRY OF ORIGIN AND AGENCY APPROVAL MARKING IN APPROXIMATE LOCATION SHOWN.

8. THESE PARTS ARE RECOMMENDED FOR WAVE SOLDERING PROCESS, PREHEAT TEMPERATURE IS 120°C TO 160°C, 120 SECONDS TO 180 SECONDS, PEAK WAVE SOLDERING TEMPERATURE IS 260°C MAX, 10 SECONDS MAX.

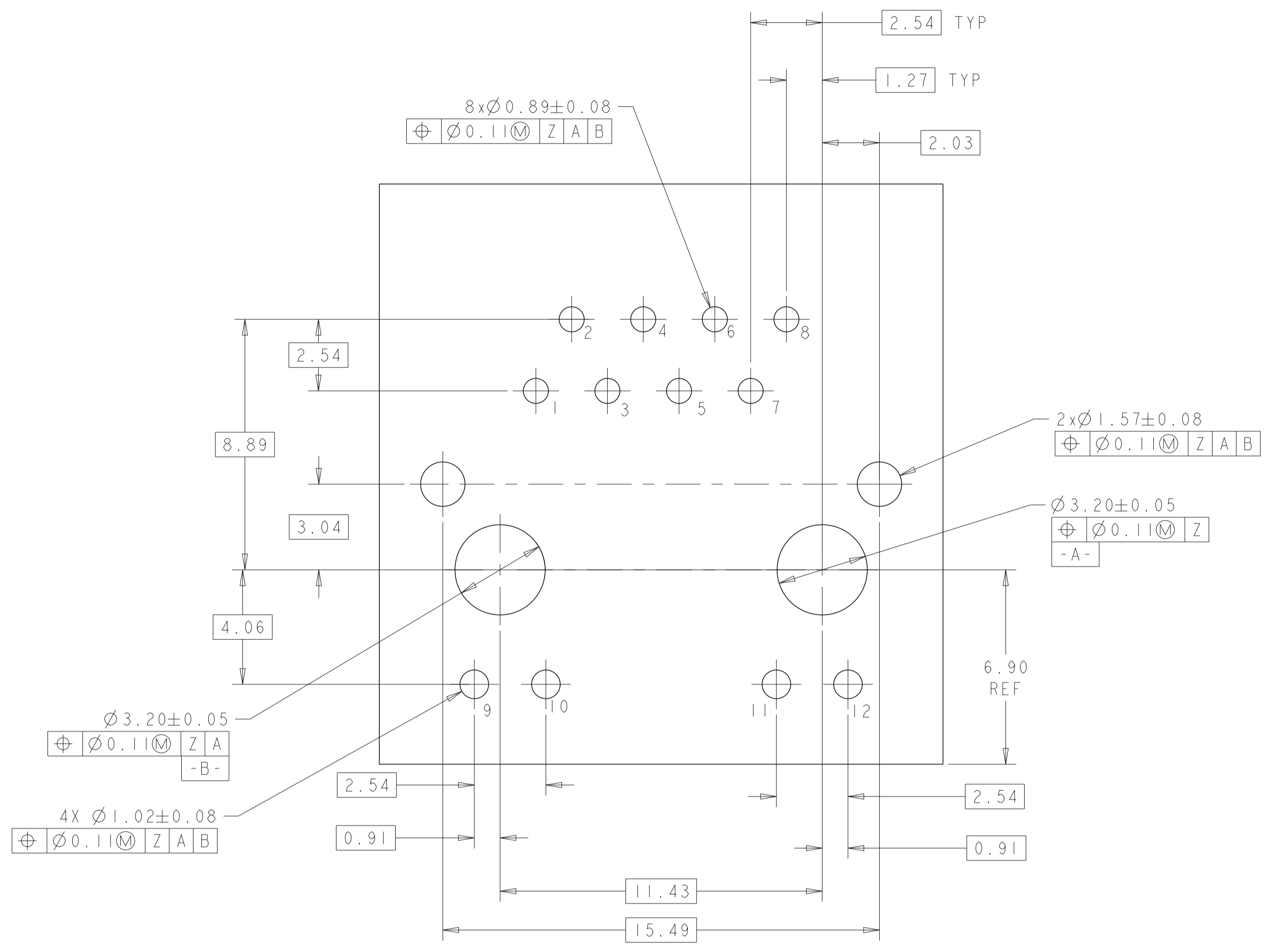


SUGGESTED PANEL OPENING

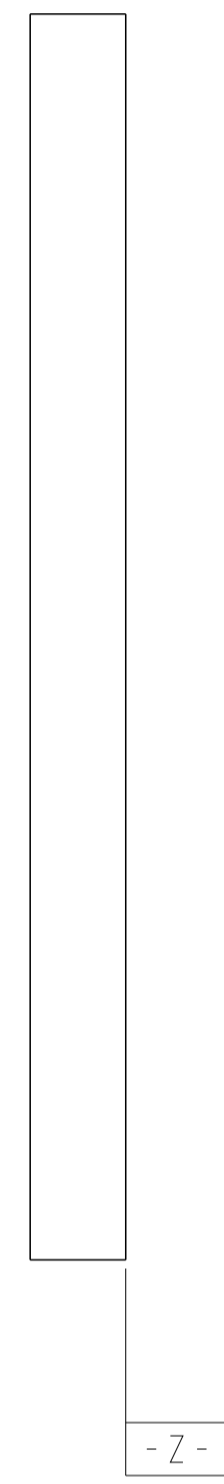


GREEN	YELLOW	2250045-1
9 → 10	11 → 12	PART NUMBER
LED 1	LED 2	

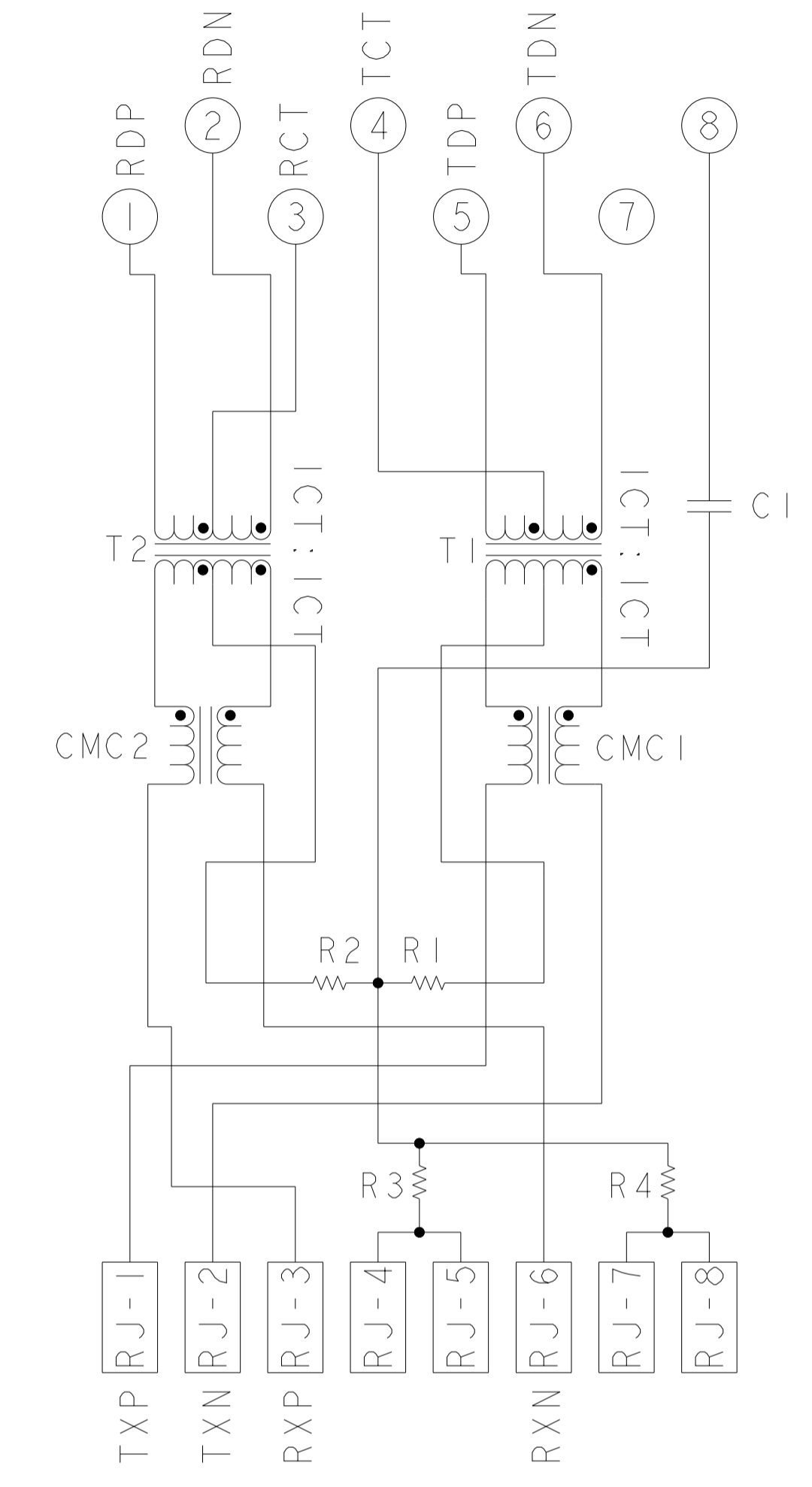
THIS DRAWING IS A CONTROLLED DOCUMENT.		OWN ROY LIU 05JUN2013	DONGGUAN CHINA a bel group
DIMENSIONS: mm		CHK TOWER YU/FRANK LIU 05JUN2013	
TOLERANCES UNLESS OTHERWISE SPECIFIED:		APVD TONY YUAN 05JUN2013	MODEL NAME
0 PLC	±0.25		DESC
1 PLC	±0.25		1X1 4146ET 10/100
2 PLC	±0.25		TAB DOWN W/ LED
3 PLC	±0.25		SIZE
4 PLC	±0.25		CAGE CODE
ANGLES	±0.25		DRAWING NO
APPLICATION SPEC	±0.25		RESTRICTED TO
PRODUCT SPEC			
108-104004			
MAGJACK SINGLE Non-PoE		SCALE 4:1	SHEET 1 OF 3
CUSTOMER DRAWING			REV 2



SUGGESTED PCB LAYOUT
 COMPONENT SIDE




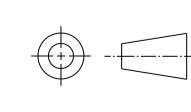
4146ET 10/100 BASE-T CIRCUIT $\triangle 3 \triangle 3$



C1 = 1000 pF, 2kV CAPACITOR.
 R1-R4 = 75 OHMS, RESISTORS.

THIS DRAWING IS A CONTROLLED DOCUMENT.		OWN ROY LIU	05JUN2013	 trp CONNECTOR a bel group DONGGUAN CHINA
DIMENSIONS: mm		CHK TOWER YU/FRANK LIU	05JUN2013	
TOLERANCES UNLESS OTHERWISE SPECIFIED:		APP'D TONY YUAN	05JUN2013	
0 PLC ± 0.25 1 PLC ± 0.25 2 PLC ± 0.25 3 PLC ± 0.25 4 PLC \pm ANGLES \pm APPLICATION SPEC \pm		MODEL NAME MAGJACK	DESC 1X1 4146ET 10/100 TAB DOWN W/ LED	
PRODUCT SPEC 108-104004		SINGLE Non-PoE	A1	RESTRICTED TO -
		CUSTOMER DRAWING	SCALE 4:1	SHEET 2 OF 3 REV 2

C_2250045					STOCK DISPOSITION			
REVISION HISTORY					A: CONTINUE AS IS	D: USE OLD FIRST		
					B: REWORK	E: PARTS TO CONFORM		
					C: SCRAP	F: OTHER		
DATE	REV	CHANGES	REASON	APPROVAL	INVENTORY (A,B,C,D,E,F)	WORK IN PROCESS (A,B,C,F)	SUPPLIER ORDERS (A,E,F)	OPEN CUST ORDERS (A,E,F)
05JUN2013	1	-	INITIAL RELEASE	TONY YUAN	-	-	-	-
14JAN2015	2	EC-1411035 COMPANY LOGO CHANGE	MARKET REQUIREMENT	TONY YUAN	-	-	-	-

THIS DRAWING IS A CONTROLLED DOCUMENT.		OWN ROY LIU	05JUN2013	 trp CONNECTOR <small>a bel group</small>	DONGGUAN CHINA	
DIMENSIONS: mm		CHK TOWER YU/FRANK LIU	05JUN2013		DESC 1X1 4146ET 10/100 TAB DOWN W/ LED	
		APVD TONY YUAN	05JUN2013		MODEL NAME MAGJACK	RESTRICTED TO -
0 PLC ±0.25 1 PLC ±0.25 2 PLC ±0.25 3 PLC ± 4 PLC ± ANGLES ± APPLICATION SPEC ±		PRODUCT SPEC 108-104004	APPLICATION SPEC -	SIZE A1	CAGE CODE C=2250045 DRAWING NO - CUSTOMER DRAWING	
				SCALE 4:1	SHEET 3 OF 3	
				REV 2		